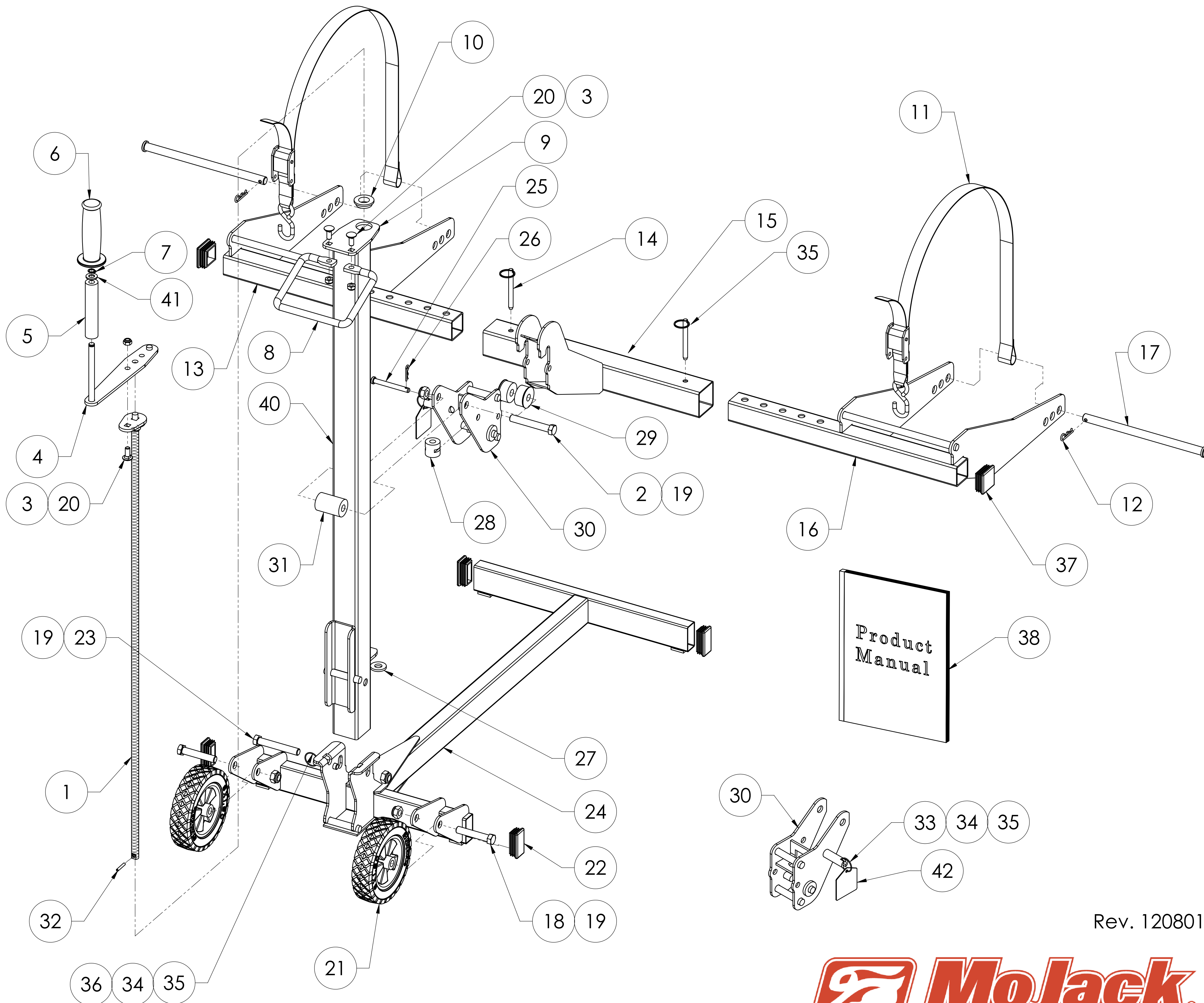


Part Number	EZ Part Description	Qty. Per Unit
MJEZ-1	Lift Screw	1
MJEZ-2	Hex Bolt M12×75 (Thread Length 14) Carrier Bolt	1
MJEZ-3*	Nylon Lock Nut M8-1.25	3
MJEZ-4	Handle (Crank)	1
MJEZ-5	Handle Sleeve Plastic	1
MJEZ-6	Handle Cover (rubber)	1
MJEZ-7	Snap Ring 08 - For Crank Handle	1
MJEZ-8	Grip Handle	1
MJEZ-9	Plate (Top Of Tower)--Not Serviceable	1
MJEZ-10	Bronze Bushing (Lift Screw)	1
MJEZ-11	Safety Strap	2
MJEZ-12*	R-Pin (Large hair pin)	2
MJEZ-13	Wheel Pad Right	1
MJEZ-14*	Push Pins (with key ring)	2
MJEZ-15	Lifting Tube/Arm - Not Serviceable	1
MJEZ-16	Wheel Pad Left	1
MJEZ-17	Wheel Pad Support Rod	2
MJEZ-18*	Hex Bolt M12×65 (Wheel Bolts)	2
MJEZ-19*	Nylon Lock Nut M12-1.75	3
MJEZ-20*	Carriage Bolt M8-1.25 x 20	3
MJEZ-21	Wheel 6"	2
MJEZ-22	25X50 End Cap (Base)	4
MJEZ-23*	Hex Bolt M12-1.75 x 80	1
MJEZ-24	Base - Not Serviceable	1
MJEZ-25*	Clevis Pin	1
MJEZ-26*	Small Hair Pin (R-Pin)	1
MJEZ-27	Flat Washer 12 (Bottom Lift Screw)	1
MJEZ-28	Bronze Nut (Carrier)	1
MJEZ-29	Front Carriage Roller (B)	2
MJEZ-30	Carrier Assembly - Not Serviceable	1
MJEZ-31	Rear Carriage Roller (A)	1
MJEZ-32	Roll (Spring) Pin 4x25	1
MJEZ-33	Carrier Locking Pin (less spring & K.R.)	1
MJEZ-34	Spring-Locking Pin (B)	2
MJEZ-35	Key Ring	4
MJEZ-36	Base Locking Pin (B)	1
MJEZ-37	End Caps (Lift Arm Tube Inserts)	2
MJEZ-38	Product Manual	1
MJEZ-39	Hardware List Kit	1
MJEZ-40	Tower - Not Serviceable	1
MJEZ-41	Flat Washer 08 - For Crank Handle	1
MJEZ-42	Safety Tag for Carrier Locking Pin	1



* Indicates items in Hardware Kit

Rev. 120801