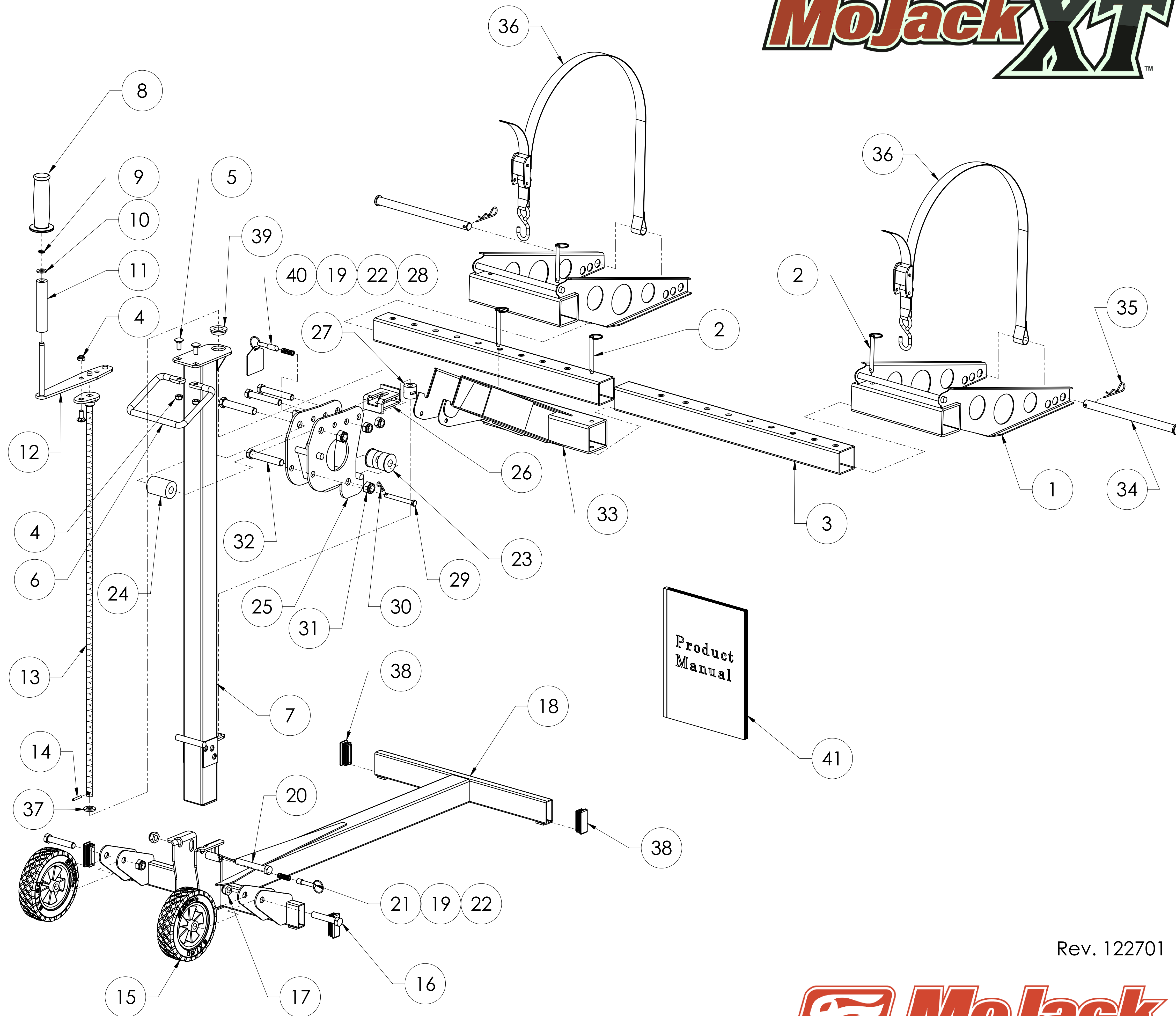


Part Number	XT Part Description	Qty. Per Unit
MJXT-1	Wheel Support	2
MJXT-2*	Push Pins (with key ring)	4
MJXT-3	Lift Arm Insert - Not Serviceable	2
MJXT-4*	Nylock Nut M8-1.25	3
MJXT-5*	Carrage Bolt M8-1.25 x 20	3
MJXT-6	Grip Handle	1
MJXT-7	Tower - Not Serviceable	1
MJXT-8	Handle Cover-Rubber	1
MJXT-9	Snap Ring 08 - For Crank Handle	1
MJXT-10	Flat Washer 08 - For Crank Handle	1
MJXT-11	Handle Sleeve Plastic	1
MJXT-12	Crank Handle	1
MJXT-13	Lift Screw	1
MJXT-14	Roll (Spring) Pin 4x25	2
MJXT-15	Wheel	2
MJXT-16*	Hex Bolts M12-1.75 x 65 (wheel bolts)	2
MJXT-17*	Nylock Nut M12-1.75	3
MJXT-18	Base - Not Serviceable	1
MJXT-19	Spring-Locking Pin (Base & Carrier)	2
MJXT-20*	Hex Bolts M12-1.75 x 80 (Base To Tower)	1
MJXT-21	Base Locking Pin	1
MJXT-22	Key Ring	6
MJXT-23	Front Carriage Roller B	2
MJXT-24	Rear Carriage Roller A	1
MJXT-25	Carrier Assembly - Not Serviceable	1
MJXT-26	Nut Bracket - Not Serviceable	1
MJXT-27	Lift Screw/Bronze Nut (carrier)	1
MJXT-28	Carrier Locking Pin (less spring & K.R.)	1
MJXT-29*	Clevis Pin (for carrier / lift bar)	1
MJXT-30*	Small Hair Pin (R pin 02)	1
MJXT-31	Nylock Nut M14 Carrier Bolts - Not Serviceable	2
MJXT-32	Hex Bolt M14x80 - Not Serviceable	2
MJXT-33	Lift Tube/Arm - Not Serviceable	1
MJXT-34	Wheel Pad Support Rods	2
MJXT-35*	Large Hair Pins 03 (for support rods)	2
MJXT-36	Safety Straps	2
MJXT-37	Flat Washer 12 (bottom of lift screw)	1
MJXT-38	Base End Caps (5 x 20)	4
MJXT-39	Bronze bushing (top of Tower)	1
MJXT-40	Safety Tag for Carrier Locking Pin	1
MJXT-41	Product Manual	1
MJXT-42	Hardware List Kit	1



* Indicates items in Hardware Kit

Rev. 122701