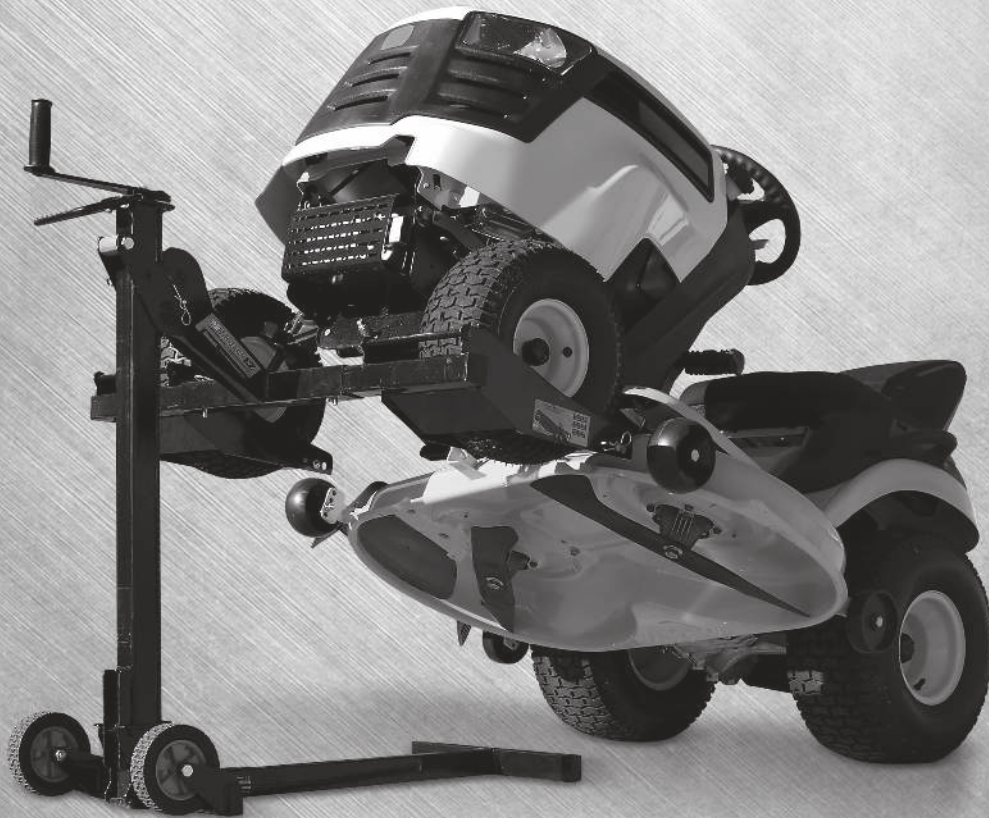


# MoJack EZ™



## Instructions for Assembly and Operation

Instrucciones para la Asamblea y de la Operación

Directive d'assemblage et d'utilisation

Montage- und Gebrauchsanleitung



# MoJack®

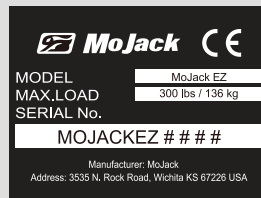
Make it Happen. Make it MoJack.™

[www.theMoJack.com](http://www.theMoJack.com)

1-877-575-3173

Ver. 111716ESFG

## Introduction



This manual contains assembly, parts, operating, maintenance, adjustment and safety instructions for your MoJack EZ lift.

**BEFORE USING YOUR MOJACK EZ, CAREFULLY READ THIS MANUAL IN ITS ENTIRETY.**

By following these operating, maintenance and safety instructions, you will prolong the life of your MoJack lift and promote safe operation.

If additional information is needed, or should you require a trained service mechanic, contact your authorized MoJack equipment dealer or distributor.

All MoJack parts are thoroughly tested and inspected before leaving the factory to ensure that they comply with all relevant safety standards.

**NOTE:** Please save this manual for future reference.

**NOTE:** Location of unit Serial Number.

### Need Assistance?

Please **DO NOT** return this product to the store.

Our Customer Service Department is ready to help!  
**1-877-575-3173**

### ¿Necesita ayuda?

¡NO devuelva este producto a la tienda!

¡Nuestro Departamento de Servicio de Atención al Cliente está listo para ayudarle!  
**1-877-575-3173**

### Besoin d'assistance ?

NE renvoyez PAS ce produit au magasin.

Notre service clientèle est là pour vous aider !  
**1-877-575-3173**

### Sie brauchen Hilfe?

Bitte dieses Produkt **NICHT** an die Verkaufsstelle retournieren.

Unser Kundendienst ist Ihnen gerne behilflich!  
**1-877-575-3173**

Submit your questions online at:

Envie sus preguntas por Internet a:

Vous pouvez également transmettre votre question en ligne à l'adresse suivante :

Übermitteln Sie Ihre Fragen online unter:

**[www.theMoJack.com](http://www.theMoJack.com)**

Patent #s: U.S., 8,448,920 and 8,387,953























© 2014 MoJack Distributors, LLC.

MoJack and the MoJack logo are registered trademarks of MoJack Distributors, LLC.

MoJack EZ is a trademark of MoJack Distributors, LLC. All rights reserved.

## Warnings and Safety Instructions

---

-  Read and understand all safety and operating instructions before using the MoJack EZ.
-  Never allow anyone unfamiliar with the safety or operating instructions to use the MoJack EZ.
-  Follow all safety and servicing instructions provided by the lawn mower's manufacturer before using the MoJack EZ.
-  Do not modify the MoJack in any way. Any modifications will void any and all warranties and could compromise your personal safety.
-  When using the MoJack EZ, keep ALL bystanders at a safe distance away from the MoJack EZ.
-  The MoJack EZ must be used on a solid level surface.
-  Do not lift the front end and the back end of the mower at the same time.
-  Do not use MoJack EZ lift for anything other than a mower, unless the proper accessory is used.
-  Always stop engine and remove key before beginning any work on the mower.
-  Never operate the mower's engine while using the MoJack EZ.
-  Do not exceed the lifting capacity of 300 lbs.
-  If the MoJack EZ Tower is leaning while lifting or lowering the mower, this indicates an overload condition. Remove the mower immediately.
-  Tower must be locked in place with the Tower Locking Pin before using the MoJack EZ.
-  Carrier Locking Pin must be locked into Tower before starting any service on mower.
-  Do not remove safety warnings or decals from MoJack EZ.
-  Before each use, always check for any worn, loose or damaged parts on the MoJack EZ. If any damaged parts are present, do not use the MoJack EZ and contact MoJack at 1-877-575-3173.
-  Do not climb on mower while it is lifted, being lifted or being lowered.
-  No one should be on the mower while it is lifted, being lifted or being lowered.
-  After the mower is raised to a working height, always place wheel chocks (not included) behind the back tires of the mower.
-  Wheel Pads must be equal distance from the Lift Arm to maintain proper balance.
-  Remove all mower attachments before using the MoJack EZ.
-  Failure to follow these warnings may result in property damage and serious bodily injury or death.

**IMPORTANT:** The MoJack EZ is intended for use with riding lawn mowers and riding lawn tractors only. Do not exceed 300 lbs. It should never be used to service other types of machinery unless there is an approved MoJack accessory fitted for the type of machinery. Please consult you local MoJack dealer or distributor.

## Warranty and Returns

---

### LIMITED WARRANTY

For two years for residential use and one year for commercial use MoJack warrants the product against failure due to defect in material or workmanship when product is used properly. MoJack will replace any defective part at no cost. This warranty does not cover any product that has been altered or adjusted, or any product that has been misused or abused. THIS IS THE CUSTOMER'S SOLE AND EXCLUSIVE REMEDY. MOJACK DISCLAIMS ALL IMPLIED WARRANTIES, INCLUDING THE WARRANTY OF MERCHANTABILITY AND FITNESS FOR A PARTICULAR PURPOSE. MOJACK SHALL NOT BE LIABLE FOR ANY INCIDENTAL OR CONSEQUENTIAL DAMAGES. SOME STATES OR PROVINCES DO NOT ALLOW THE EXCLUSION OR LIMITATION OF THE IMPLIED WARRANTIES OR THE REMEDIES FOR BREACH OF THE IMPLIED WARRANTIES, SO THESE EXCLUSIONS MAY NOT APPLY TO YOU. THIS LIMITED WARRANTY GIVES YOU SPECIFIC LEGAL RIGHTS, AND YOU MAY ALSO HAVE OTHER RIGHTS WHICH VARY FROM STATE TO STATE OR PROVINCE TO PROVINCE.

### What does this warranty cover?

This warranty covers against a failure due to a defect in material or workmanship within two years of purchase for residential use and within one year of purchase for commercial use.

### What does this warranty NOT cover?

This warranty does not cover any MoJack which has been altered or adjusted in any way from its original model. It will not cover any MoJack which has been damaged due to misuse, abuse, accident or negligence. This warranty does not cover incidental or consequential damages.

### What is the period of coverage?

Two-year warranty for residential use, one-year for commercial use from date of purchase for the original owner.

### What will MoJack do to correct problems?

We will replace any defective part (within the coverage period) at no charge.

### How can I get service?

In order to be eligible for service under this warranty you MUST register your MoJack within thirty (30) days of purchasing. You must keep your receipt as proof of date of sale. You can register your new MoJack on our website at [www.themojack.com](http://www.themojack.com) or by calling our toll-free number 1-877-575-3173.

### How do I contact MoJack about a warranty issue?

You can contact us from our website at [www.themojack.com](http://www.themojack.com) or by calling our toll-free number 1-877-575-3173.

### Do I have other rights under State Law?

This warranty gives you specific legal rights, and you may also have other rights which vary from state to state.

### What is the return policy?

Within thirty (30) days of the date that you receive your MoJack. Please contact MoJack for return policies and procedures at our toll-free number 1-877-575-3173 or by email at [info@themojack.com](mailto:info@themojack.com).

### How do I make a return?

Contact us within the return period. We will issue you a Return Merchandise Authorization (RMA) to place on the outside of the box. All merchandise must be shipped back in its original packaging. We will make arrangements for the MoJack to be picked up by a national carrier.

### In what form will I receive my refund?

This is at our discretion. If receiving a refund, please allow four weeks for the credit to process to your account. Return service fees will be deducted from the amount of the refund.

### Are shipping charges refundable?

No.

### Does MoJack have a return service fee policy?

Yes. Returns and refunds impose an extra workload on our parts. Rather than pass this cost on to the customer through higher product prices, we are consistent with others within our industry by requiring nominal service fees in the event of returns. The service fee is 20%.

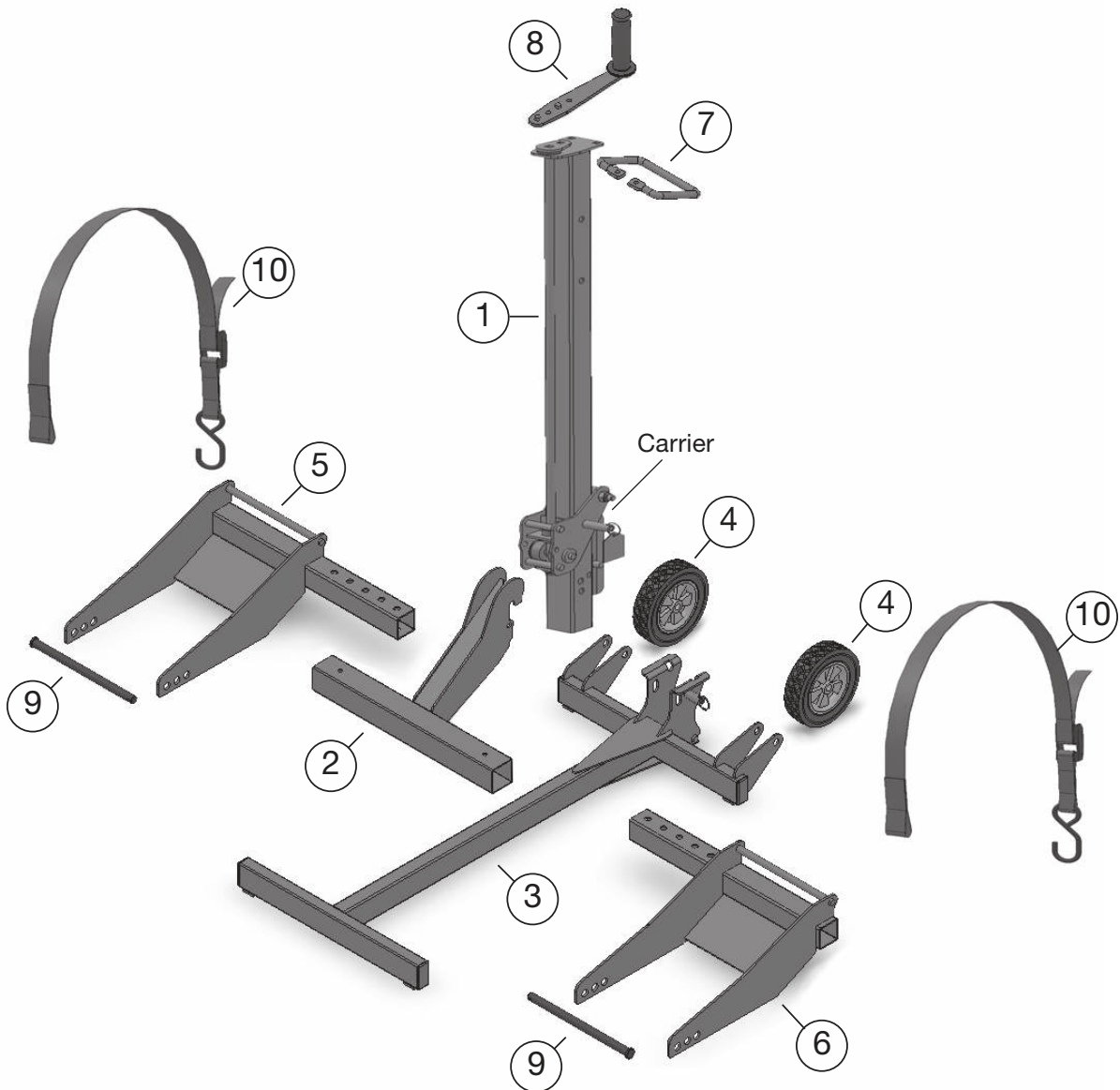
### How do I contact MoJack?

You can call our toll-free number 1-877-575-3173 or by email at [info@themojack.com](mailto:info@themojack.com).

## Parts List

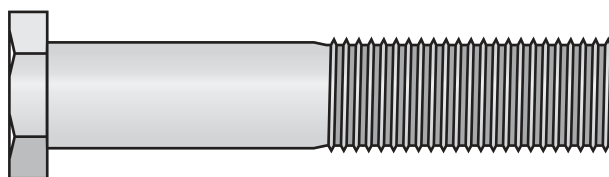
Item No.	Qty.	Description
①	1	Tower
②	1	Lift Arm
③	1	Base
④	2	Wheel
⑤	1	Wheel Pad, RH

Item No.	Qty.	Description
⑥	1	Wheel Pad, LH
⑦	1	Grip Handle
⑧	1	Crank Handle
⑨	2	Support Rod
⑩	2	Safety Strap

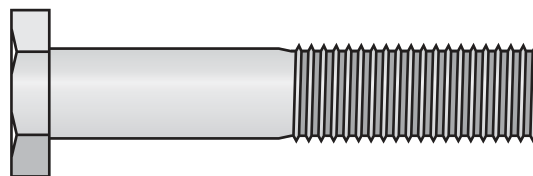


## Hardware List

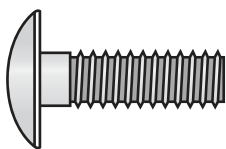
Item No.	Qty.	Description
⑪	1	Cap Screw M12-1.75 X 80
⑫	2	Cap Screw M12-1.75 X 65
⑬	3	Carriage Bolt M8-1.25 X 20
⑭	3	Nylock Nut – M12-1.75
⑮	3	Nylock Nut – M8-1.25
⑯	2	Push Pin
⑰	1	Clevis Pin
⑱	1	Small Hair Pin
⑲	2	Large Hair Pin



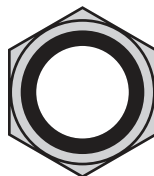
⑪ Cap Screw M12-1.75 X 80



⑫ Cap Screw M12-1.75 X 65



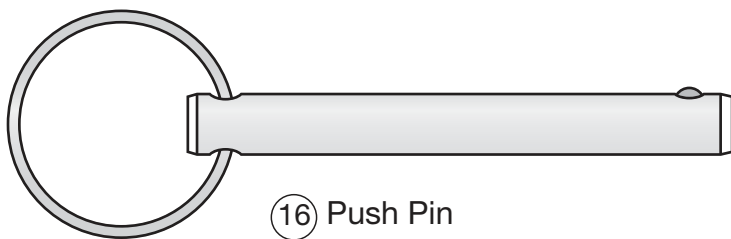
⑬ Carriage Bolt M8-1.25 X 20



⑭ Nylock Nut – M12-1.75



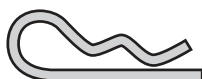
⑮ Nylock Nut – M8-1.25



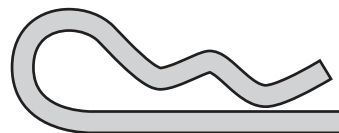
⑯ Push Pin



⑰ Clevis Pin

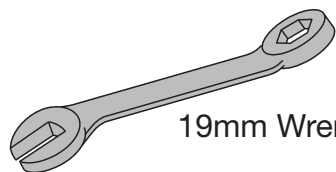


⑱ Small Hair Pin

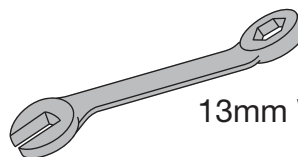


⑲ Large Hair Pin

## Tools Needed for Assembly



19mm Wrench (2)



13mm Wrench (1)

# Assembly Instructions

## STEP 1

Remove MoJack EZ from package.

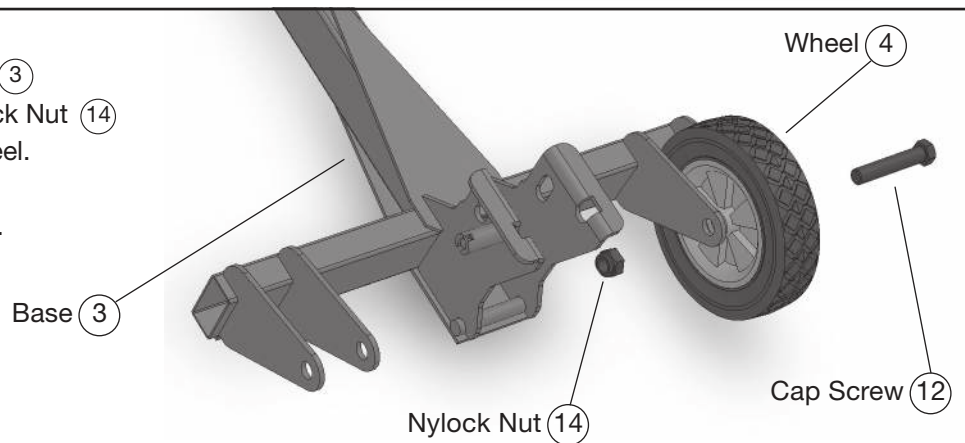
Inventory items to be certain all parts and hardware are present. If any parts or hardware are missing, please contact MoJack at 1-877-575-3173 or email us at parts@themojack.com.



## STEP 2

Assemble the Wheel (4) to the Base (3) by inserting Cap Screw (12) and Nylock Nut (14) and tighten. Repeat with second Wheel.

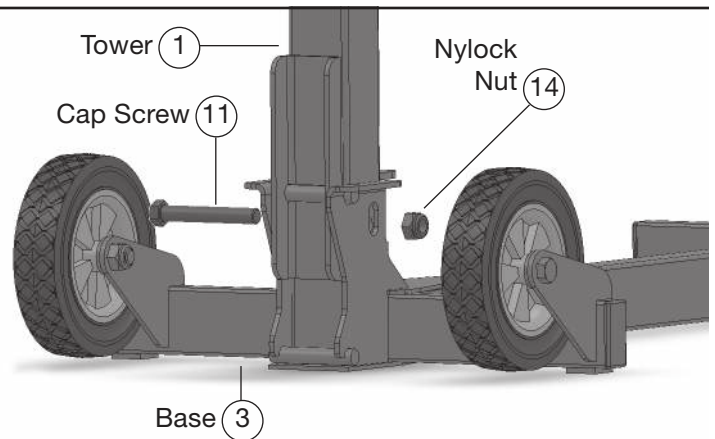
**Note:** Do not over tighten Nylock Nut.



## STEP 3

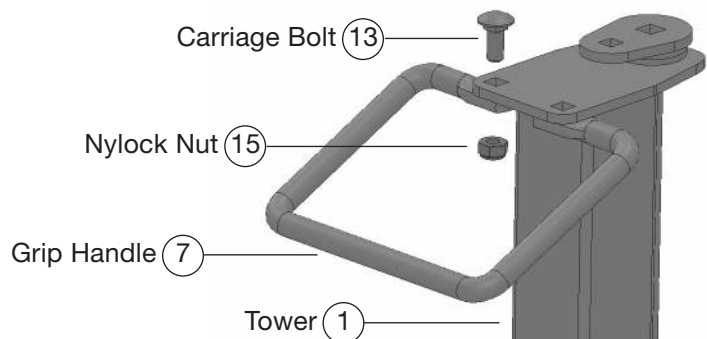
Attach the Tower (1) to the Base (3) using Cap Screw (11) and Nylock Nut (14) as shown.

**Note:** Do not over tighten Nylock Nut.



## STEP 4

Attach the Grip Handle (7) to the Tower (1) with two Carriage Bolts (13) and two Nylock Nuts (15).

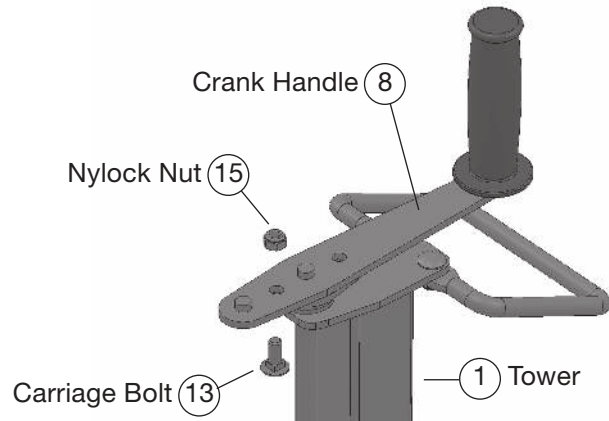


## Assembly Instructions

### STEP 5

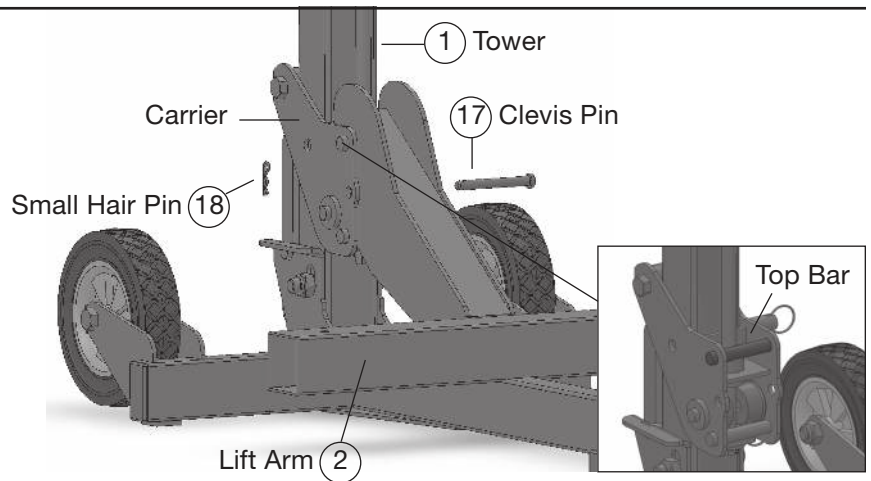
Attach the Crank Handle (8) to the Tower (1) by inserting Carriage Bolt (13) with threads facing up and fasten with Nylock Nut (15).

**Note:** There are two holes in the Crank Handle. The hole closest to the rubber grip will provide a 6" radius for cranking. The other hole will provide an 8" radius, making cranking easier. Use the hole that works best with your model of lawn mower.



### STEP 6

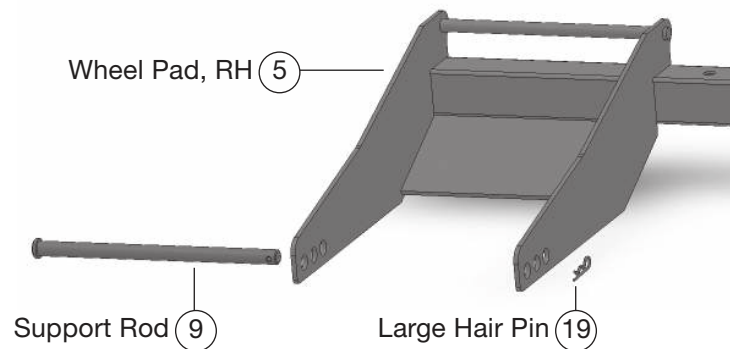
Hang the Lift Arm (2) on the Carrier by hooking the slotted area of the Lift Arm over the top bar of the Carrier. Insert Clevis Pin (17) through the hole in Carrier and lock by fastening the Small Hair Pin (18) to the Clevis Pin.



### STEP 7

Ready the Wheel Pads (5) & (6) for installation by adding Support Rods (9) and Large Hair Pins (19).

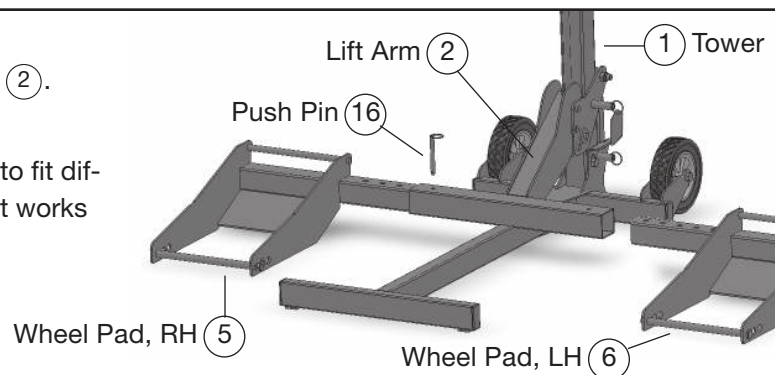
**Note:** The Support Rods can be configured to fit several different tire sizes (see Support Rod Guide for Tire Sizes on page 18). Use appropriate hole configuration that works best for your model of lawn mower.



### STEP 8

Slide the Wheel Pads (5) & (6) into the Lift Arm (2). Insert Push Pins (16).

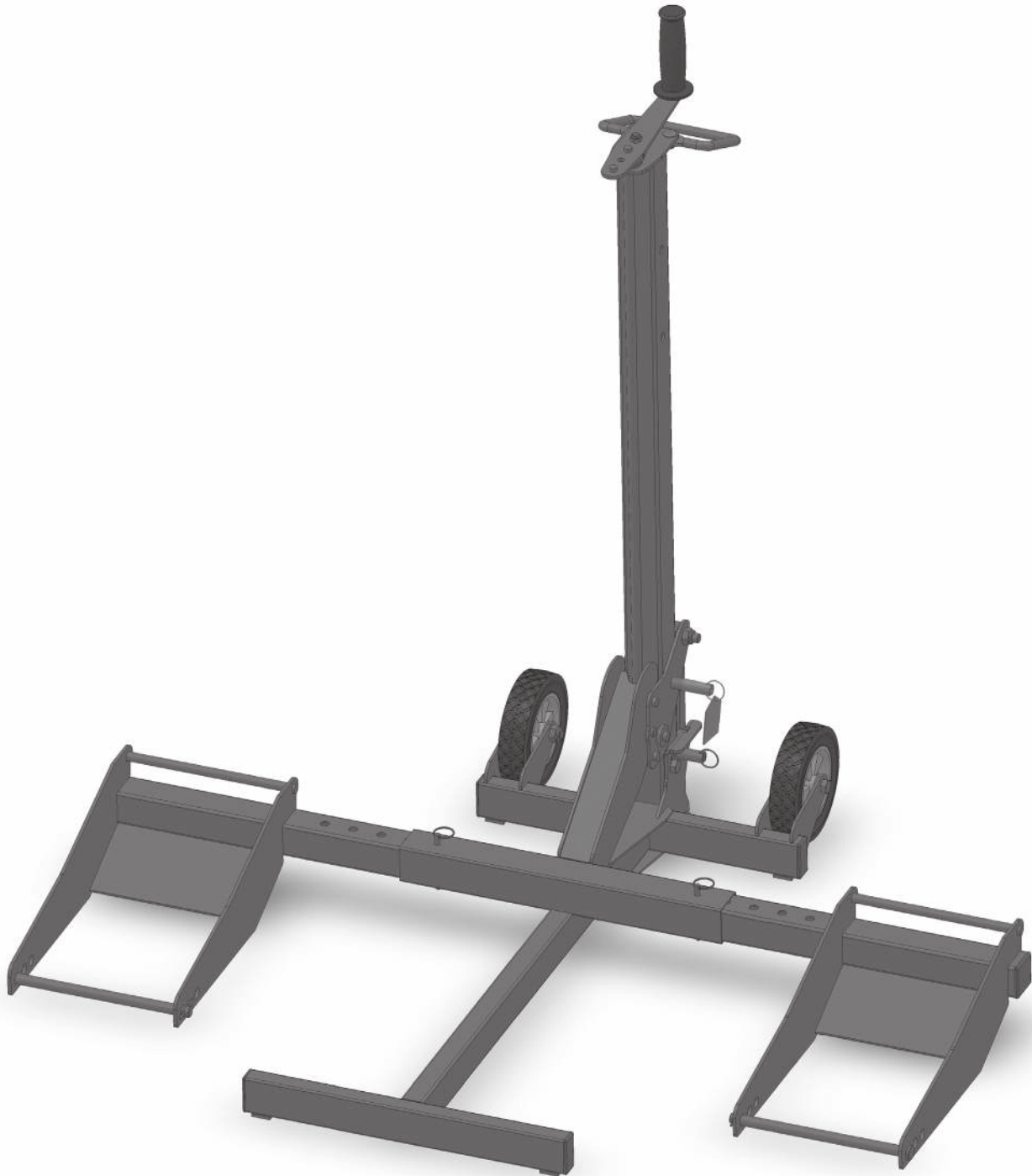
**Note:** The Wheel Pads can be moved in or out to fit different mower widths. Use the configuration that works best with your model of lawn mower.



**THIS COMPLETES ASSEMBLY.**

## Operating Instructions

**Some steps of the Operating Instructions are repeated from the Assembly Instructions. The Operating Instructions will show a full working cycle of the MoJack EZ.**



 Before using the MoJack EZ, carefully read this manual in its entirety.

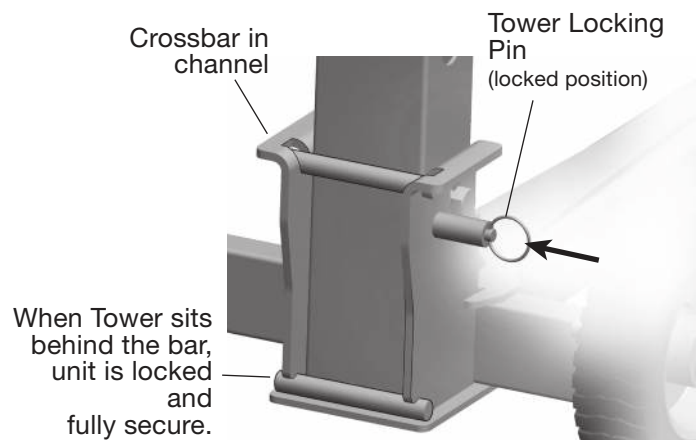
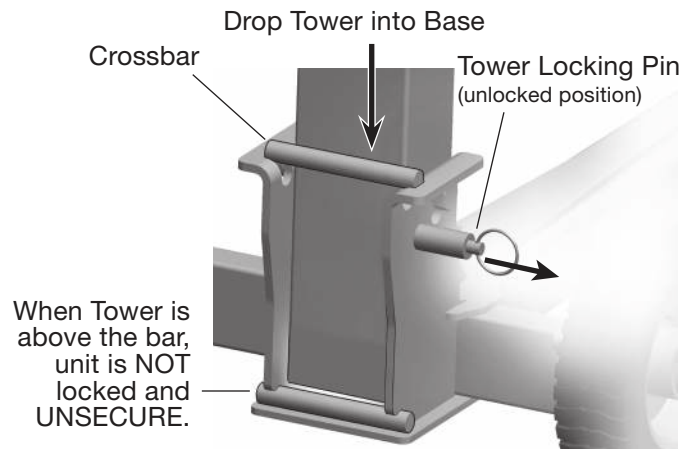
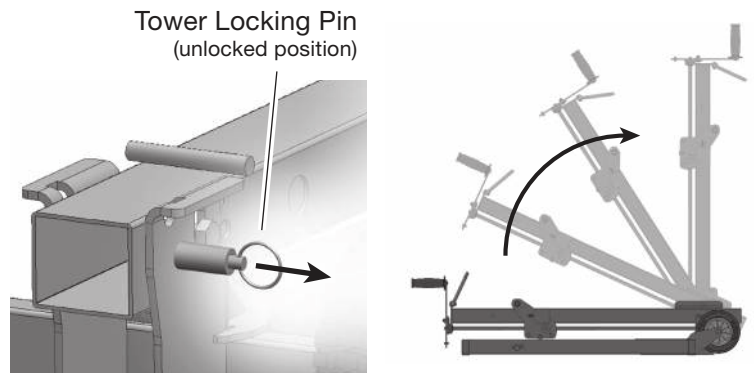
# Operating Instructions

## Preparing the MoJack EZ for Use (Steps 1 - 7)

### STEP 1

#### Unfolding MoJack EZ

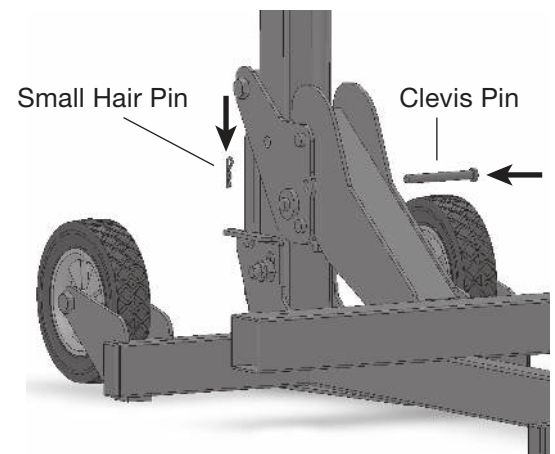
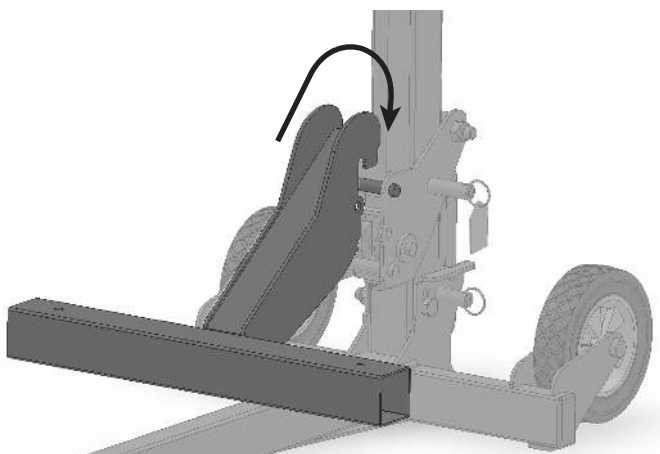
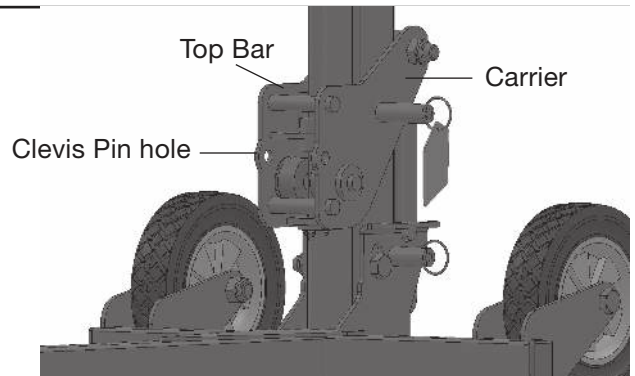
- Pull locking pin out to unlock.
- Raise the Tower by pulling up on the Grip Handle. Once the Tower is in the vertical position, lift up on the Grip Handle and drop the Tower into the Base.
- The tower will be securely locked in place when the locking pin retracts and the tower is snug in the channel behind the crossbar.



### STEP 2

#### Installing Lift Arm

- Hang the Lift Arm on the Carrier by hooking the slotted area of the Lift Arm over the top bar of the Carrier.
- Insert Clevis Pin through the hole in Carrier and lock by fastening the Small Hair Pin to the Clevis Pin.

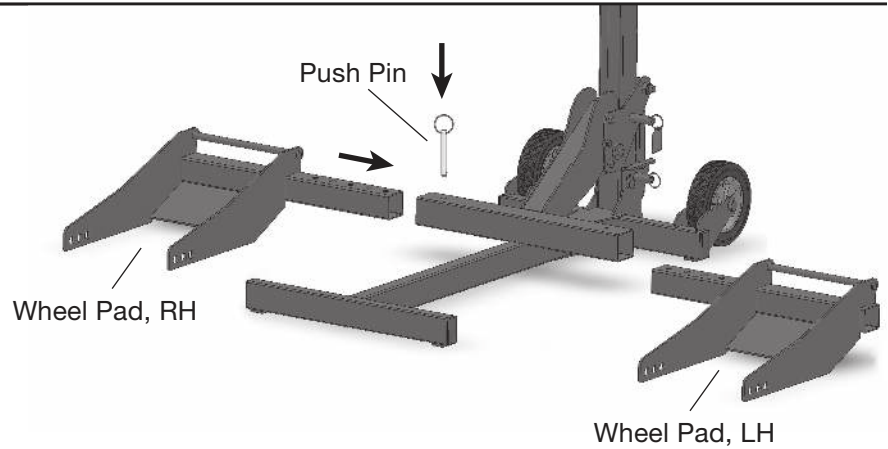


# Operating Instructions

## STEP 3

### Installing Wheel Pads

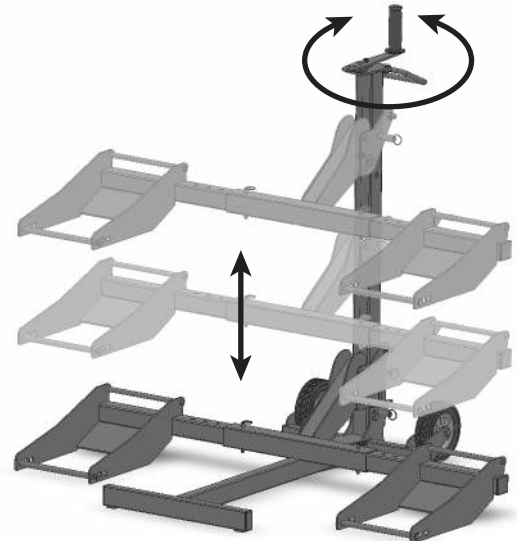
- Slide the Wheel Pads into the Lift Arm and temporarily secure with Push Pins.



## STEP 4

### Familiarize Yourself with the MoJack EZ

- Practice raising and lowering the Lift Arm before attempting to lift the mower (see Steps 11 – 14 on how to raise and lower the Lift Arm).
- Practice Step 19 if you intend to raise or lower the mower with a drill attachment.

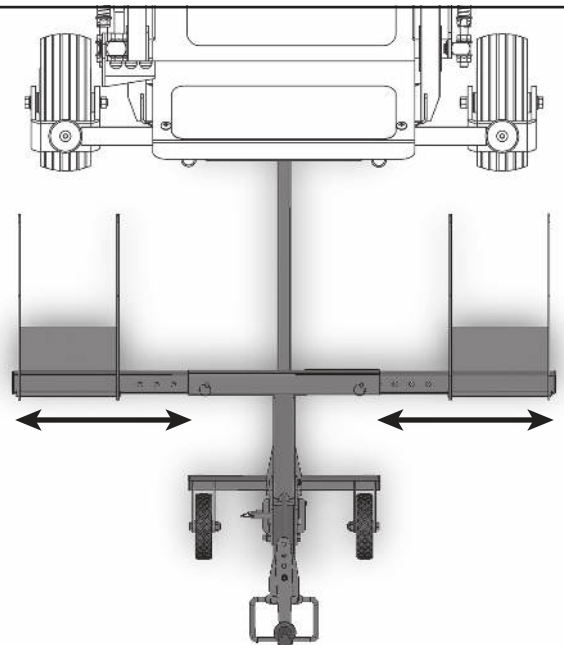


## STEP 5

### Aligning Wheel Pads to Fit Mower

- Place the front tires of mower 6" in front of the Wheel Pads.
- Remove Push Pins and align the Wheel Pads so that the front mower tires will be centered on the Wheel Pads.
- Replace the Push Pins to lock the Wheel Pads to the Lift Arm.

**⚠** Wheel Pads must be equal distance from the Lift Arm to maintain proper balance.




# Operating Instructions

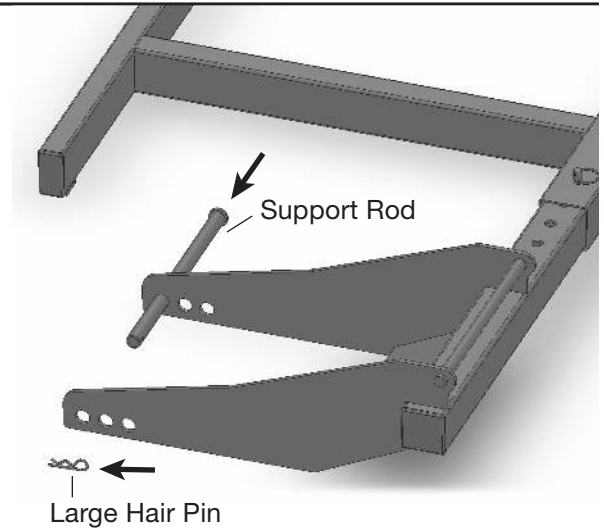
## STEP 6

### Adjusting Support Rods for Proper Tire Size

- Adjust Support Rods on Wheel Pads to accommodate the front tire size of the mower. Please refer to the chart below for proper Support Rod placement based on the diameter of the mower's front tires.
- Secure Support Rods to Wheel Pads with Large Hair Pins.

SUPPORT ROD GUIDE FOR TIRE SIZES	
10" - 11.5" (25cm - 29cm)	
12" - 15" (30cm - 38cm)	
15.5" - 17" (39cm - 44cm)	

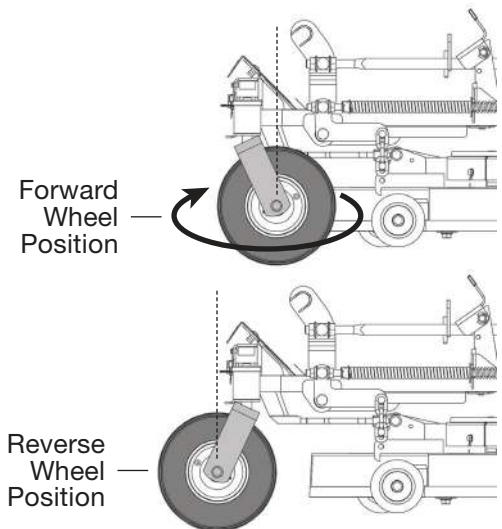
See page 18 for more more detailed guide.



## STEP 7

### Reverse Front Tires of Mower (optional – if not applicable, skip to Step 8)

- In some cases, the mower deck or anti-scalping wheels will hit the Lift Arm while the mower is being raised. This is often the case if part of the deck (including the anti-scalping wheels) protrudes past the center line of the front wheels of the mower.
- Rotate the front tires 180° so that they are in the reverse position.
- Remove the Support Rods from the Wheel Pads and slide the MoJack EZ underneath the mower.
- Secure the Support Rods to Wheel Pads with Large Hair Pins.

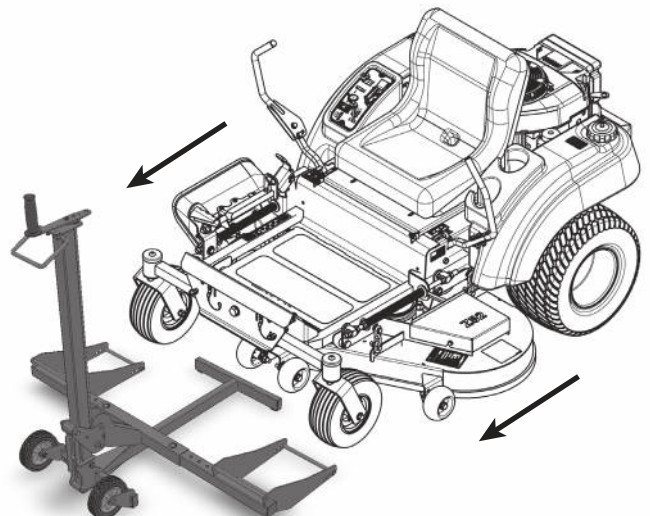


## Using the MoJack EZ (Steps 8 - 15)

### STEP 8

#### Move Mower onto MoJack EZ

- ⚠ The MoJack EZ must be used on a solid level surface.
- Drive or roll the mower onto the Wheel Pads.
- ⚠ Stop engine and remove the key.

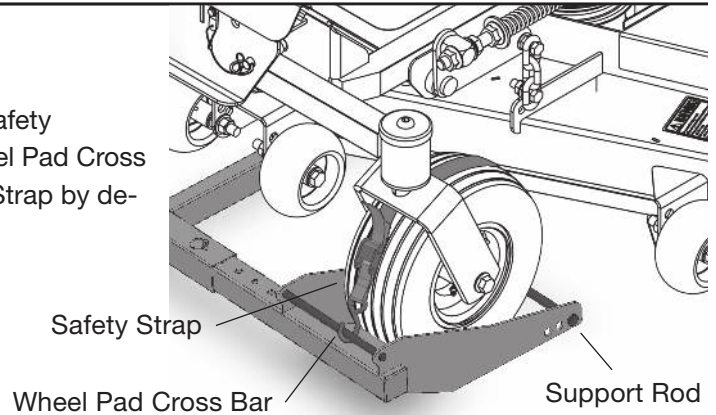


## Operating Instructions

### STEP 9

#### Strapping Front Mower Tires to Wheel Pads

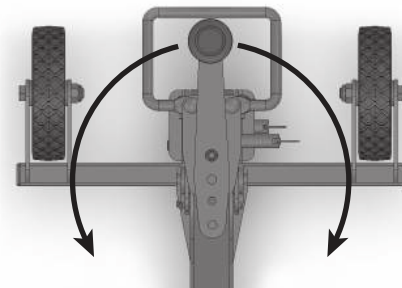
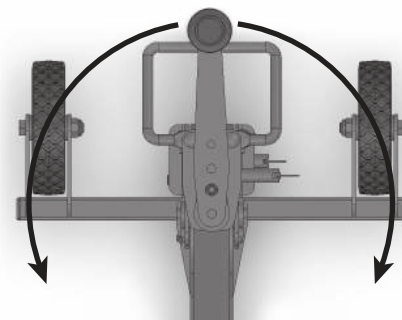
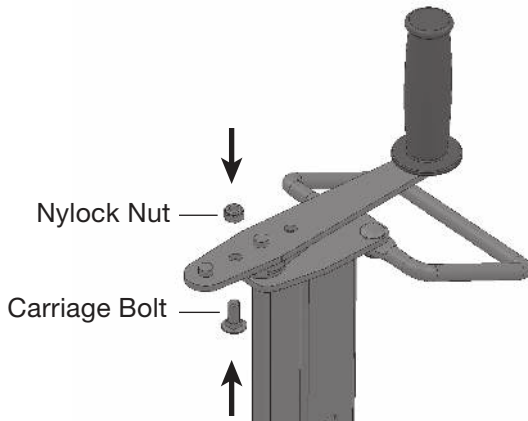
- Secure the front mower tires to the Wheel Pads using the Safety Straps (10). Secure the hook on the Safety Strap to the Wheel Pad Cross Bar and insert the Support Rod into the loop on the Safety Strap by detaching the Support Rod and then sliding the Safety Strap Loop through and reattaching the Support Rod.
- Tighten the Safety Straps over the top of the tires to secure mower to Wheel Pads.



### STEP 10

#### Adjusting the Crank Handle (optional)

- The optimal Crank Handle length is in the longer setting. Some mowers have brush guards or larger hoods that interfere with the longer Crank Handle. The Crank Handle can be adjusted by removing the Nylock Nut and Carriage Bolt and re-attaching in the shorter setting.

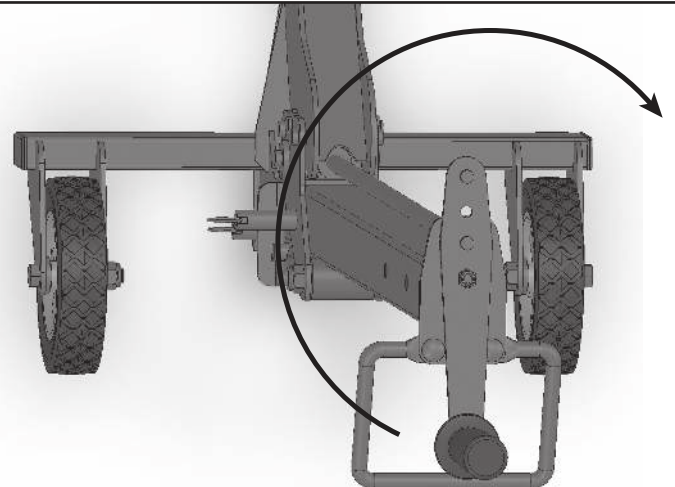


### STEP 11

#### Raising the Mower

- Raise the mower by rotating the Crank Handle clockwise.
- See Step 20 for raising the mower with drill attachment.

- ⚠ Do not attempt to lift more than 300 lbs.
- ⚠ The MoJack EZ must be used on a solid level surface.
- ⚠ The engine must be turned off and key removed.
- ⚠ **The mower must be in neutral.**
- ⚠ The parking brake must be off during this step.
- ⚠ The Safety Straps must be firmly tightened.

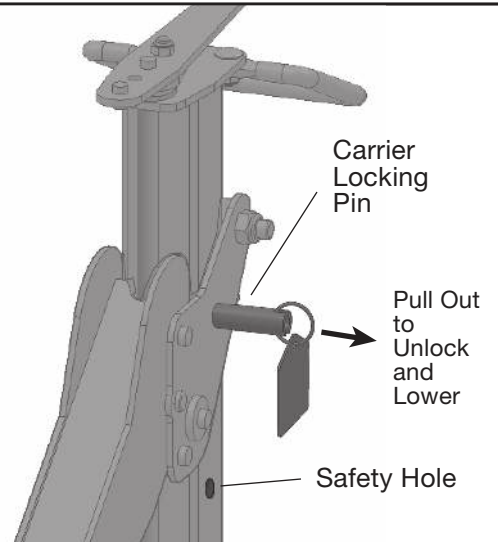


## Operating Instructions

### STEP 12

#### Raising Lift Arm to Locking Position

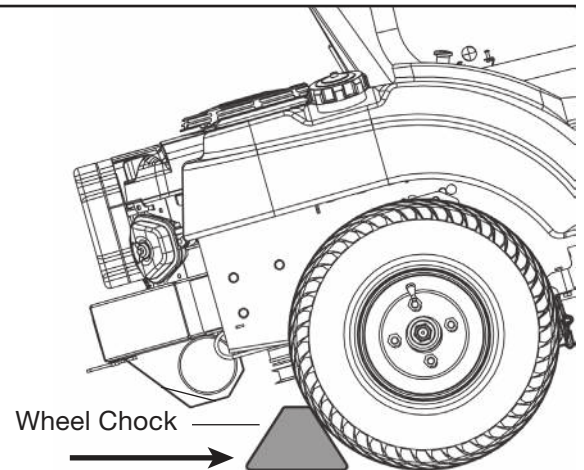
- Raise the Lift Arm until the Carrier Locking Pin drops into the Safety Hole.
- The Carrier Locking Pin automatically drops into the Safety Holes as the Carrier passes the Safety Holes on the Tower when raising.
- **Note: When lowering the Lift Arm, the Carrier Locking Pin must be held out by the operator until it clears the bottom Safety Hole.**



### STEP 13

#### Preparing the Mower for Service

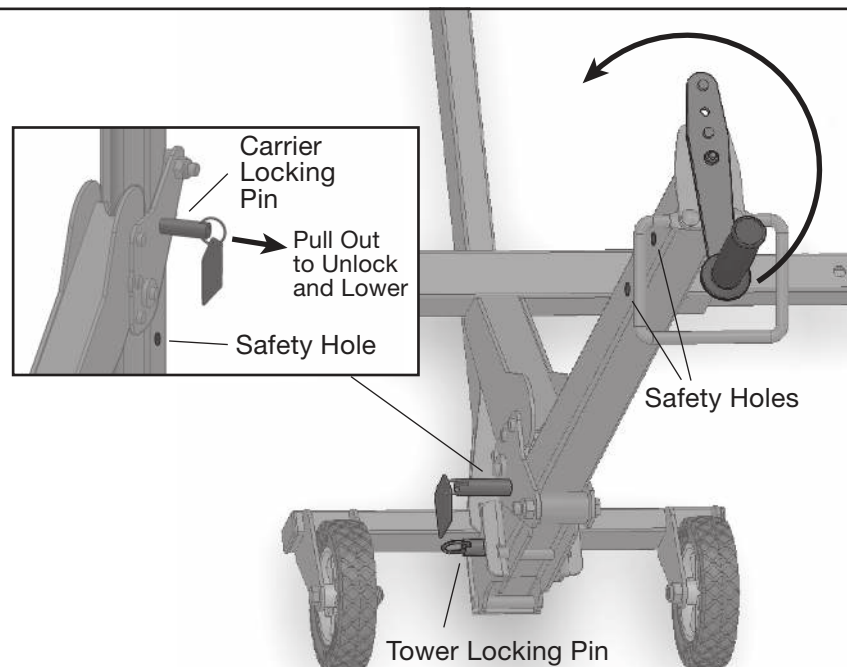
- Place wheel chocks (not included) behind the back tires of the mower.
- Now apply the parking brake on the mower.
- The Carrier Locking Pin must be locked into one of the two Safety Holes.



### STEP 14

#### Lowering the Mower

- Remove wheel chocks.
- Release the parking brake.
- **Mower must be in neutral.**
- Pull and hold the Carrier Locking Pin out and turn the Crank Handle counter clockwise until Wheel Pads are firmly on the ground. **The Carrier Locking Pin must be pulled out until it clears the bottom Safety Hole.**

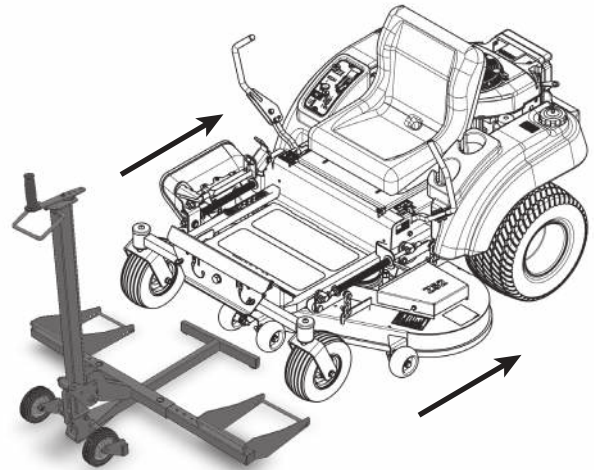


# Operating Instructions

## STEP 15

### Removing the Mower from the MoJack EZ

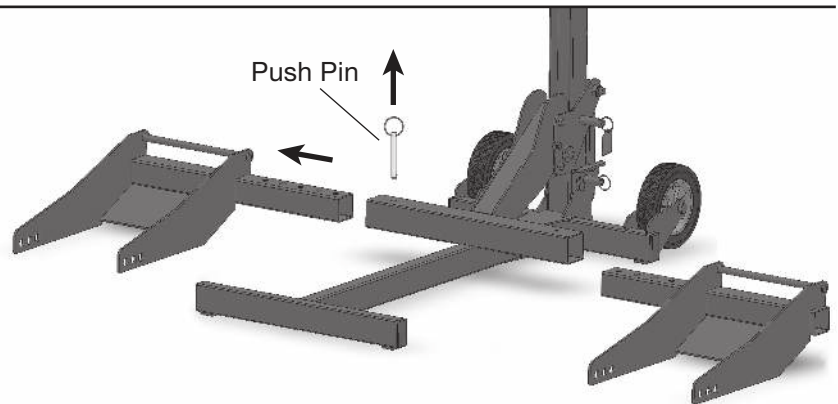
- Remove the Safety Straps from front mower tires.
- Removing Support Rods is optional during this step.
- Drive or roll the mower off of the Wheel Pads.



## Preparing the MoJack EZ for Storage (Steps 16 - 18)

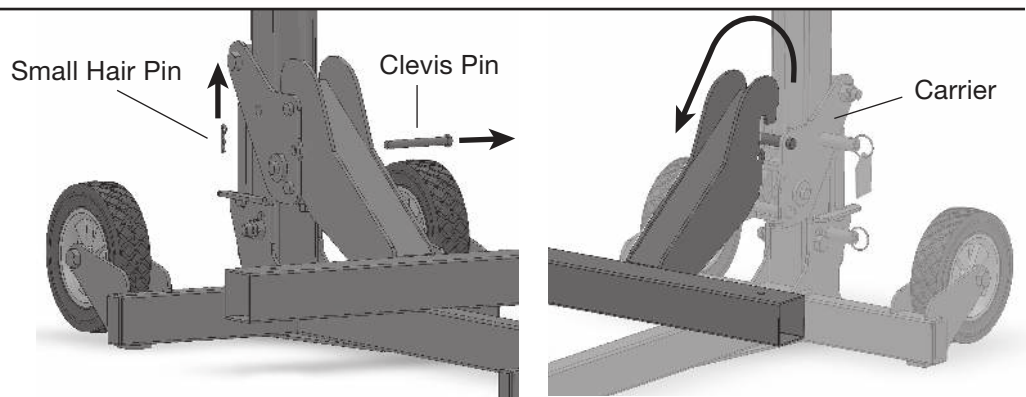
### STEP 16

- Remove Push Pins and pull Wheel Pads out from the Lift Arm.
- Store the Push Pins in the Lift Arm.



### STEP 17

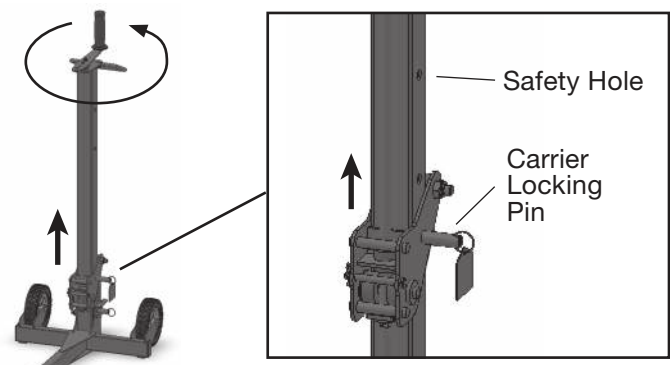
- Remove Small Hair Pin and Clevis Pin from Lift Arm.
- Unhook the Lift Arm from the Carrier.
- Store the Small Hair Pin and Clevis Pin in the Lift Arm.



### STEP 18

#### Raise Carrier

- Raise the Carrier by turning the Crank Handle clockwise until the Carrier Locking Pin drops into the safety hole.

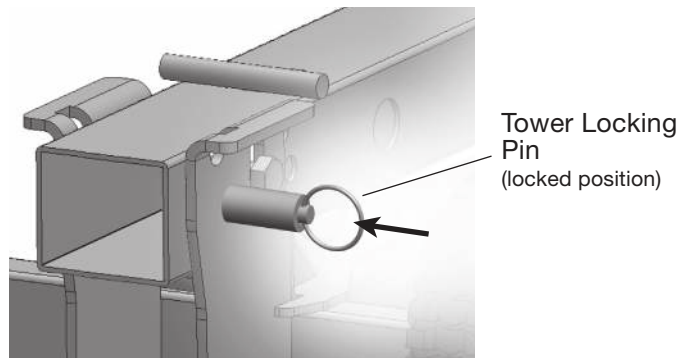
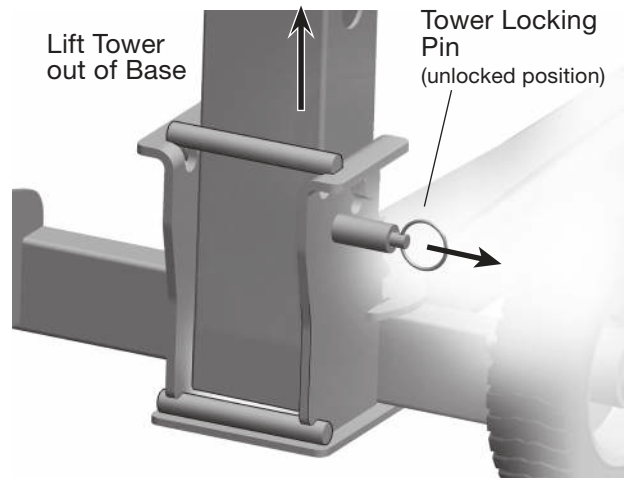
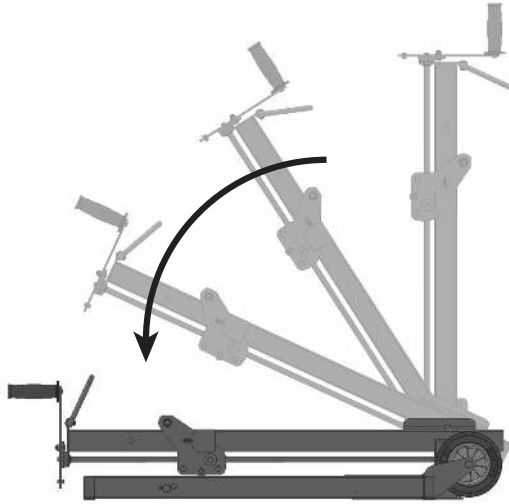


## Operating Instructions

### STEP 19

#### Folding the MoJack EZ

- Pull locking pin out to unlock.
- Raise the Tower out of the Base by pulling up on the Grip Handle and then lower the Tower.
- The tower will be securely locked in place when the locking pin retracts.



**THE MOJACK EZ IS NOW READY FOR STORAGE OR TRANSPORT.**

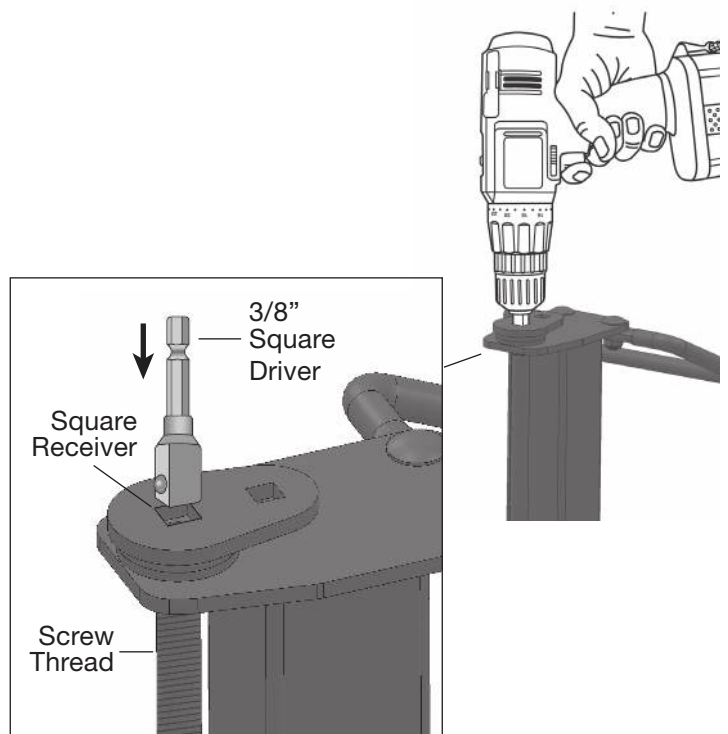
### STEP 20

#### Raising the MoJack EZ with a power drill (optional)

- The MoJack EZ can be raised or lowered by using a variable speed corded drill (7 amp minimum) or variable speed cordless drill (18V minimum).
- The drill will require a 3/8" square driver (not provided).
- Remove Crank Handle by taking out the nut and bolt which reveals the 3/8" Square Receiver.
- Firmly insert the 3/8" driver in the Square Receiver. Rotate the drill forward (clockwise) to raise the Lift Arm and rotate the drill in reverse (counterclockwise) to lower the Lift Arm.
- **Carrier Locking Pin must be pulled out when lowering until it clears the bottom Safety Hole.**

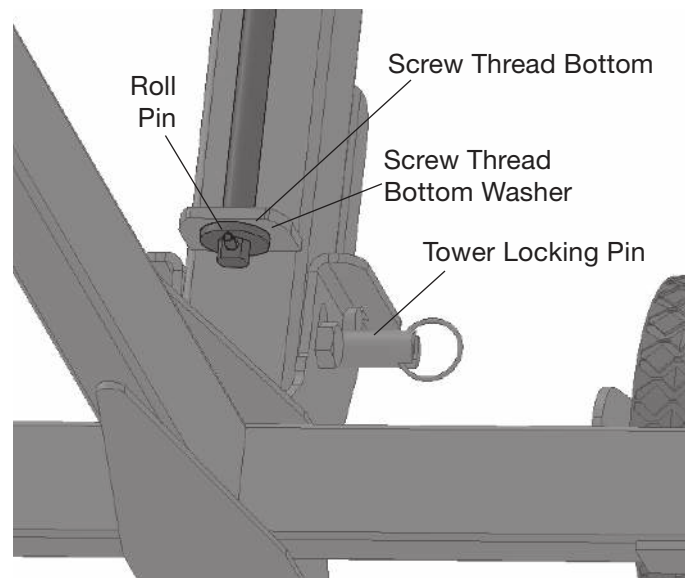
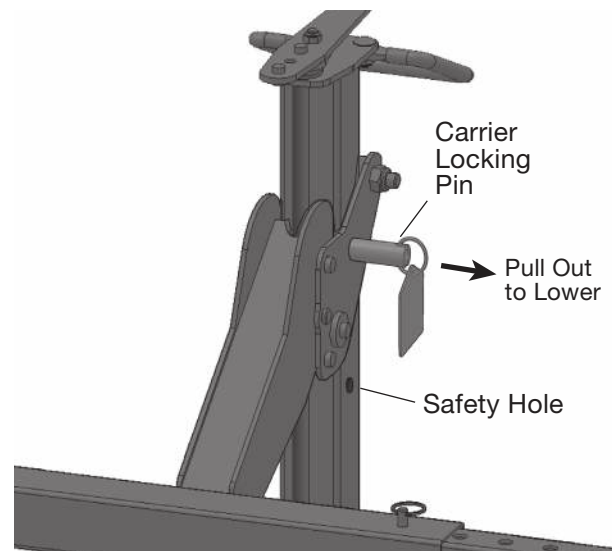
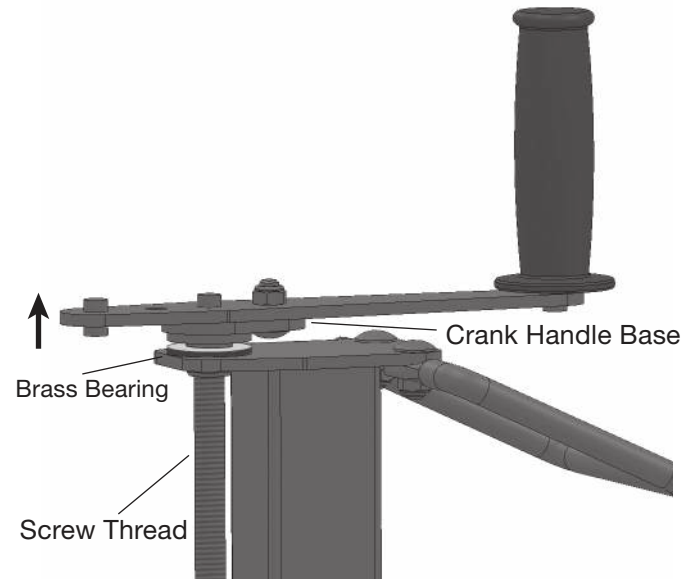
**⚠** Operator must have a firm grip on the drill before raising or lowering the Lift Arm.

- Follow all other operating instructions while using the drill attachment.
- Replace the Crank Handle for future use.

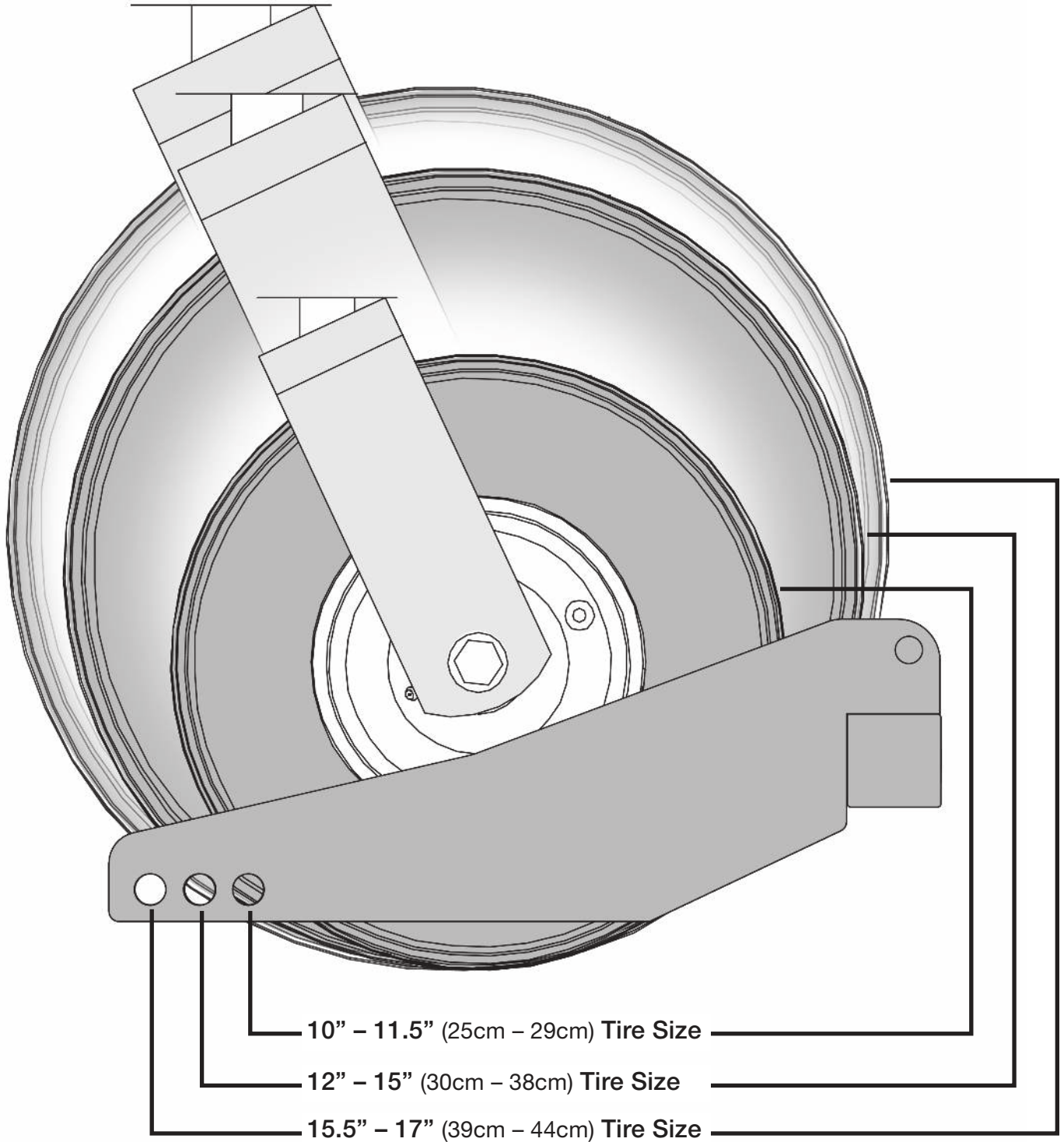


## Maintenance Schedule

- Before each use, always check for any worn, loose or damaged parts on the MoJack EZ. If any damaged parts are present, do not use the MoJack EZ and contact MoJack at 1-877-575-3173.
- Clean and oil the screw thread after every 50 uses or at least once a year using light machine oil.
- Place lithium grease between the Crank Handle Base and the brass bearing after every 50 uses or once a year. Without weight on carrier, lift the Crank Handle to create a small gap between the brass bearing and the Crank Handle Base. Use a small brush to apply the lithium grease between the two surfaces.
- Place lithium grease on or around Screw Thread Bottom, Roll Pin and Screw Thread Bottom Washer after every 50 uses or at least once a year.
- Spray grease or lube in Locking Pin holes and shaft after every 50 uses or at least once a year.
- (Optional) Check for Carrier Locking Pin operation. Turn top Crank Handle to raise the Lift Arm to the first Safety Hole and listen for click as pin pops into hole. After a click is heard, reverse direction of Crank Handle rotation without pulling on the Carrier Locking Pin ring. Pin should hold Carriage at height. Do not force the handle past the lock point, as this may damage the Screw Thread. If Carrier Locking Pin does not hold Lift Arm height, do not use the MoJack EZ and contact MoJack at 1-877-575-3173. After checking Carrier Locking Pin operation, proceed to lower by pulling out on the Carrier Locking Pin ring.



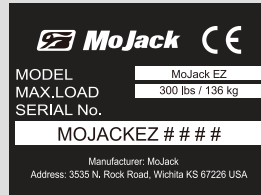
## Support Rod Guide for Tire Sizes



⚠ Not for use with tires over 17" (44cm) in size



## Introducción



Este manual contiene instrucciones sobre montaje, partes, funcionamiento, mantenimiento, ajuste y seguridad del elevador MoJack EZ.

**ANTES DE UTILIZAR EL ELEVADOR MOJACK EZ, LEA CON ATENCIÓN TODO EL MANUAL.**

Si sigue estas instrucciones de funcionamiento, mantenimiento y seguridad, prolongará la vida del elevador MoJack y favorecerá su funcionamiento seguro.

Si necesita información adicional o un mecánico de servicio especializado, póngase en contacto con su vendedor o distribuidor autorizado de equipos MoJack.

Todas las partes MoJack han sido rigurosamente probadas e inspeccionadas en fábrica para garantizar el cumplimiento de las normas de seguridad pertinentes.

**NOTA:** Guarde este manual para referencia futura.

**NOTA:** Emplazamiento de la unidad número de serie.

### Need Assistance?

Please **DO NOT** return this product to the store.

Our Customer Service Department is ready to help!  
**1-877-575-3173**

### ¿Necesita ayuda?

¡NO devuelva este producto a la tienda!

¡Nuestro Departamento de Servicio de Atención al Cliente está listo para ayudarle!  
**1-877-575-3173**

### Besoin d'assistance ?

NE renvoyez PAS ce produit au magasin.

Notre service clientèle est là pour vous aider !  
**1-877-575-3173**

### Sie brauchen Hilfe?

Bitte dieses Produkt **NICHT** an die Verkaufsstelle retournieren.

Unser Kundendienst ist Ihnen gerne behilflich!  
**1-877-575-3173**

Submit your questions online at:  
Envie sus preguntas por Internet a:

Vous pouvez également transmettre votre question en ligne à l'adresse suivante :

Übermitteln Sie Ihre Fragen online unter:

**www.theMoJack.com**























Patente #: U.S., 8,448,920 and 8,387,953

© 2014 MoJack Distributors, LLC.

MoJack es una marca registrada de MoJack Distributors, LLC.  
MoJack EZ es una marca registrada de MoJack Distributors, LLC.

## Advertencias e instrucciones de seguridad

---

-  Asegúrese de leer y comprender todas las instrucciones de seguridad y funcionamiento antes de utilizar el equipo MoJack EZ.
-  No permita que una persona no familiarizada con las instrucciones de seguridad o funcionamiento utilice el equipo MoJack EZ.
-  Siga todas las instrucciones de seguridad y servicio proporcionadas por el fabricante de la podadora antes de utilizar el elevador MoJack EZ.
-  No modifique de ninguna forma el elevador MoJack. Cualquier modificación anulará todas y cada una de las garantías existentes y podría poner en riesgo su seguridad personal.
-  Al utilizar el elevador MoJack EZ, mantenga a las personas presentes a una distancia segura del equipo.
-  El elevador MoJack EZ se debe utilizar sobre una superficie sólida y nivelada.
-  No levante los extremos delantero y trasero de la podadora al mismo tiempo.
-  No utilice el equipo MoJack EZ para elevar objetos que no sean podadoras, salvo que utilice el accesorio adecuado.
-  Apague siempre el motor y extraiga la llave antes de comenzar a trabajar en la podadora.
-  Nunca haga funcionar el motor de la podadora mientras utiliza el elevador MoJack EZ.
-  No exceda la capacidad de elevación límite de 300 libras (136 kg).
-  Si la torre del MoJack EZ se inclina al elevar o bajar la podadora, eso indica que existe una sobrecarga. Retire la podadora de inmediato.
-  Antes de utilizar el elevador MoJack EZ, la torre debe estar bloqueada en la posición correcta con su pasador de bloqueo.
-  El pasador de bloqueo del transportador debe estar bloqueado en la torre antes de comenzar a efectuar cualquier operación de servicio en la podadora.
-  No quite las advertencias de seguridad ni las calcomanías del equipo MoJack EZ.
-  Antes de cada uso, controle si hay partes gastadas, sueltas o dañadas en el elevador MoJack EZ. Si hubiera partes dañadas, no utilice el elevador MoJack EZ y póngase en contacto con MoJack llamando al 1-877-575-3173.
-  No suba a la podadora mientras la misma se eleva o se baja.
-  No debe haber nadie en la podadora mientras la misma se eleva o se baja.
-  Una vez que la podadora se haya elevado a una altura de trabajo, coloque siempre cuñas (no incluidas) detrás de los neumáticos traseros de la podadora.
-  Ambos topes de rueda deben estar a la misma distancia del brazo elevador para mantener el equilibrio adecuado.
-  Extraiga todos los accesorios de la podadora antes de utilizar el elevador MoJack EZ.
-  Si no cumple con estas advertencias pueden producirse daños a la propiedad, lesiones graves o incluso la muerte.

**IMPORTANTE:** el elevador MoJack EZ está diseñado para utilizar solamente con podadoras de montar y tractores cortacésped de montar. No exceda el peso límite de 300 libras (136 kg). Este equipo nunca debe usarse para efectuar el servicio de otros tipos de máquinas, salvo que se utilice un accesorio aprobado por MoJack adecuado para el tipo de máquina. Consulte con el vendedor o distribuidor local de productos MoJack.

## Garantía y devoluciones

### **GARANTÍA LIMITADA**

MoJack garantiza este producto durante dos años para uso residencial y un año para uso comercial, en caso de producirse defectos de material o de mano de obra, siempre que el producto se haya utilizado en forma adecuada. MoJack reemplazará las partes defectuosas sin costo. Esta garantía no cubre productos que hayan sido alterados o ajustados, ni productos que hayan sido utilizados en forma abusiva o incorrecta. EL RECURSO MENCIONADO CONSTITUYE EL RECURSO ÚNICO Y EXCLUSIVO DEL CLIENTE. MOJACK NO CONCEDE NINGÚN OTRO TIPO DE GARANTÍA IMPLÍCITA, NI SIQUIERA LA GARANTÍA DE COMERCIABILIDAD E IDONEIDAD PARA UN FIN PARTICULAR. MOJACK NO SE HARÁ RESPONSABLE POR DAÑOS IMPREVISTOS O DERIVADOS. ALGUNOS ESTADOS O PROVINCIAS NO PERMITEN LA EXCLUSIÓN O LIMITACIÓN DE LAS GARANTÍAS IMPLÍCITAS O DE LOS RECURSOS POR INCUMPLIMIENTO DE GARANTÍAS IMPLÍCITAS; POR LO TANTO, ES POSIBLE QUE ESTAS EXCLUSIONES NO SE APLIQUEN A USTED. ESTA GARANTÍA LIMITADA LE OTORGA DERECHOS LEGALES ESPECÍFICOS Y TAMBIÉN PUEDE TENER OTROS DERECHOS QUE VARÍAN SEGÚN EL ESTADO O LA PROVINCIA.

#### **¿Qué cubre esta garantía?**

Esta garantía proporciona cobertura contra fallos originados por defectos de material o de mano de obra, durante un plazo de dos años a partir de la compra del equipo para uso residencial y durante un año para uso comercial.

#### **¿Qué NO cubre esta garantía?**

Esta garantía no cubre ninguna máquina MoJack que haya sido alterada o ajustada de alguna forma en relación con el modelo original. No cubrirá ningún producto MoJack que resulte dañado debido a uso incorrecto o excesivo, accidente o negligencia. Esta garantía no cubre daños imprevistos o derivados.

#### **¿Cuál es el período de cobertura?**

Dos años para uso residencial y un año para uso comercial, a partir de la fecha de compra por el propietario original.

#### **¿Qué hará MoJack para resolver los problemas?**

Reemplazaremos las partes defectuosas sin cargo (dentro del período de cobertura).

#### **¿Cómo puedo obtener servicio?**

Para obtener servicio en el marco de esta garantía, DEBE registrar su producto MoJack dentro de un plazo de treinta (30) días a partir de la compra. Debe conservar su recibo para demostrar la fecha de la compra. Puede registrar su producto MoJack nuevo en nuestro sitio Web en [www.themojack.com](http://www.themojack.com) o llamando a nuestro número gratuito 1-877-575-3173.

#### **¿Cómo me pongo en contacto con MoJack por un problema de garantía?**

Puede ponerse en contacto con nosotros a través de nuestro sitio Web [www.themojack.com](http://www.themojack.com) o llamando a nuestro número gratuito 1-877-575-3173.

#### **¿Tengo otros derechos en virtud de las leyes estatales?**

Esta garantía le proporciona derechos legales específicos y también puede tener otros derechos que varían según el Estado.

#### **¿Cuál es la política de devolución?**

Treinta (30) días a partir de la fecha en que recibió el producto MoJack. Para obtener información sobre políticas y procedimientos de devolución, póngase en contacto con MoJack llamando a nuestro número gratuito 1-877-575-3173 o por correo electrónico al [info@themojack.com](mailto:info@themojack.com).

#### **¿Cómo efectuar una devolución?**

Póngase en contacto con nosotros dentro del período de devolución. Le emitiremos una Autorización para la Devolución de Mercadería (RMA), que deberá colocar en la parte exterior de la caja. Todas las mercaderías se deben devolver en su empaque original. Tomaremos medidas para que el producto MoJack sea recogido por un transportista nacional.

#### **¿Cómo recibo el reembolso?**

La devolución se efectuará según nuestro criterio. Si debe recibir un reembolso, deje pasar cuatro semanas para permitir la acreditación en su cuenta. Se deducirán cargos de servicio de devolución del monto del reembolso.

#### **¿Son reembolsables los cargos por envío?**

No.

#### **¿Tiene MoJack una política de cargo de servicio de devolución?**

Sí. Las devoluciones y los reembolsos suponen trabajo adicional para nosotros. En vez de trasladar ese costo a los consumidores a través de precios más altos, seguimos los criterios generales de nuestra industria y exigimos el pago de cargos de servicio nominales en el caso de una devolución. El cargo de servicio es de 20%

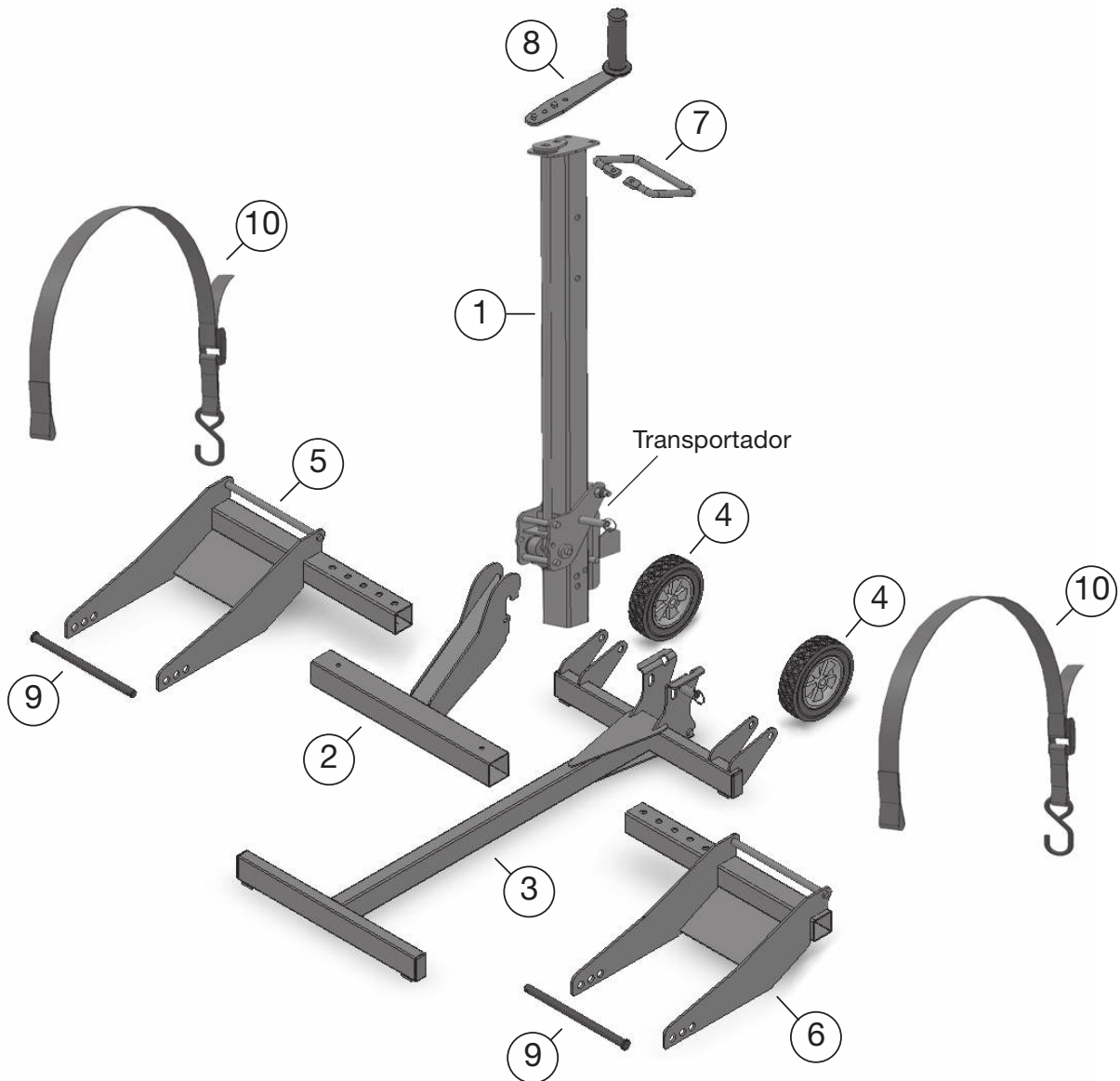
#### **¿Cómo me pongo en contacto con MoJack?**

Puede llamarnos a nuestro número gratuito 1-877-575-3173 o escribirnos a nuestra dirección electrónica [info@themojack.com](mailto:info@themojack.com).

## Lista de partes

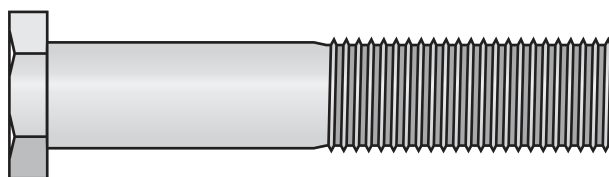
Nº elem.	Cant.	Descripción
①	1	Torre
②	1	Brazo elevador
③	1	Base
④	2	Rueda
⑤	1	Tope de rueda, derecho

Nº elem.	Cant.	Descripción
⑥	1	Tope de rueda, izquierdo
⑦	1	Asa de seguridad
⑧	1	Manivela
⑨	2	Varilla de soporte
⑩	2	Correa de seguridad

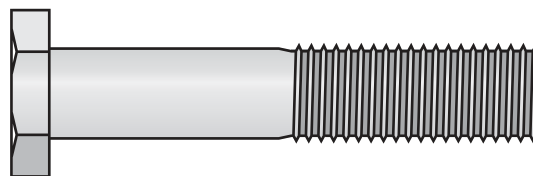


## Lista de materiales

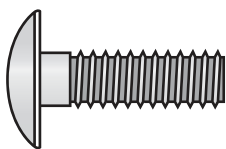
Nº Elem.	Cant.	Descripción
⑪	1	Tornillo de cabeza M12 - 1.75 X 80
⑫	2	Tornillo de cabeza M12 - 1.75 X 65
⑬	3	Perno de carruaje M8 - 1.25 X 20
⑭	3	Tuerca Nylock – M12-1.75
⑮	3	Tuerca Nylock – M8-1.25
⑯	2	Pasador de empuje
⑰	1	Pasador de horquilla
⑱	1	Horquilla chica
⑲	2	Horquilla grande



⑪ Tornillo de cabeza M12 - 1.75 X 80



⑫ Tornillo de cabeza M12 - 1.75 X 65



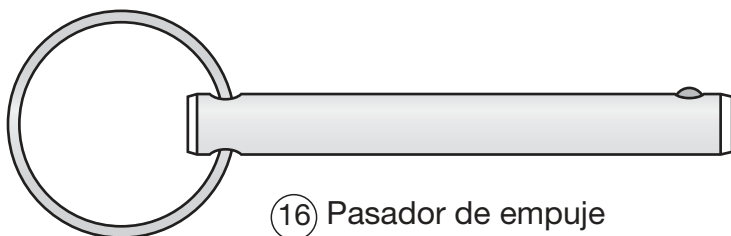
⑬ Perno de carruaje M8 - 1.25 X 20



⑭ Tuerca Nylock – M12-1.75



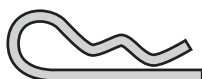
⑮ Tuerca Nylock – M8-1.25



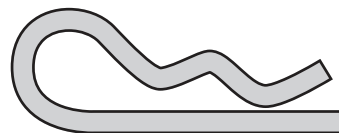
⑯ Pasador de empuje



⑰ Pasador de horquilla

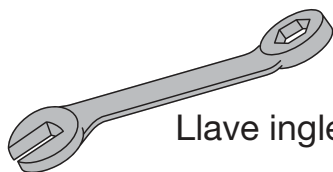


⑱ Horquilla chica

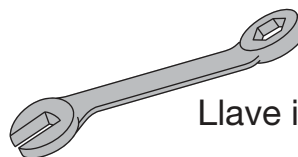


⑲ Horquilla grande

## Herramientas necesarias para el montaje



Llave inglesa de 19 mm (2)



Llave inglesa de 13 mm (1)

## Instrucciones de montaje

### PASO 1

Extraiga el elevador MoJack EZ del empaque.

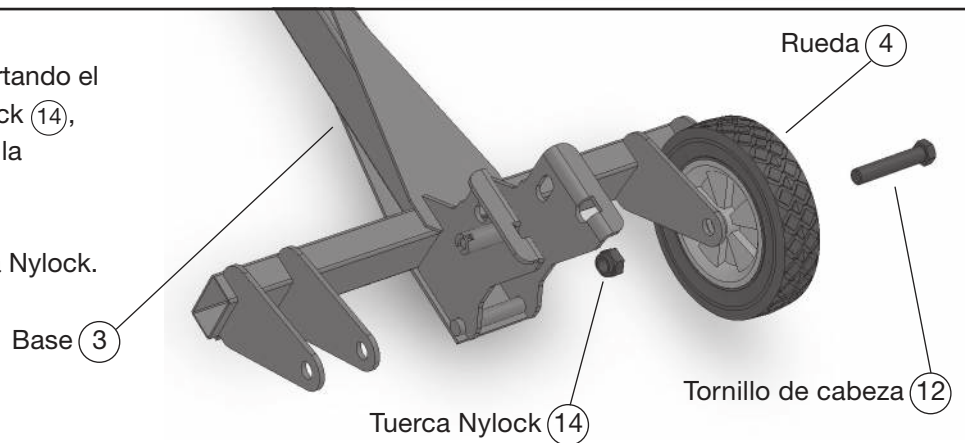
Haga un inventario de las partes para estar seguro de que posee todas las partes y materiales. Si faltan partes o materiales, póngase en contacto con MoJack llamando al 1-877-575-3173 o por correo electrónico a [parts@themojack.com](mailto:parts@themojack.com).



### PASO 2

Monte la rueda (4) a la base (3), insertando el tornillo de cabeza (12) y la tuerca Nylock (14), y fíjelos. Repita el procedimiento con la segunda rueda.

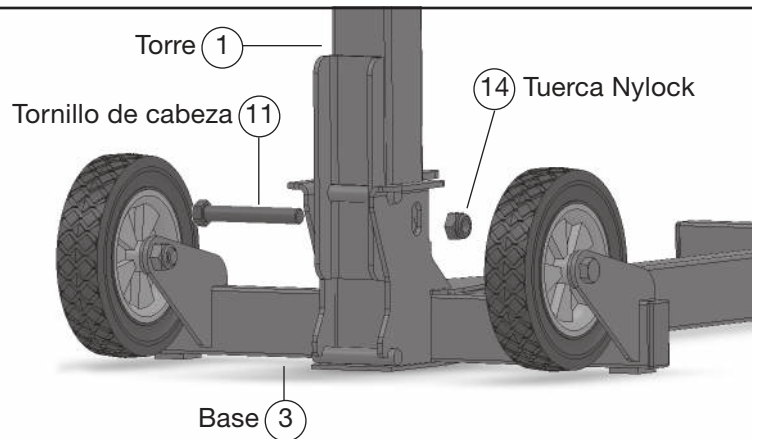
**Nota:** No apriete demasiado la tuerca Nylock.



### PASO 3

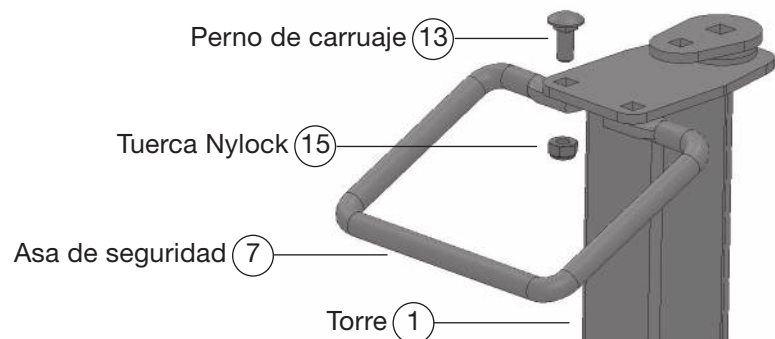
Sujete la torre (1) a la base (3) usando el tornillo de cabeza (11) y la tuerca Nylock (14) como se indica.

**Nota:** No apriete demasiado la tuerca Nylock.



### PASO 4

Fije el asa de seguridad (7) a la torre (1) con dos pernos de carruaje (13) y dos tuercas Nylock (15).

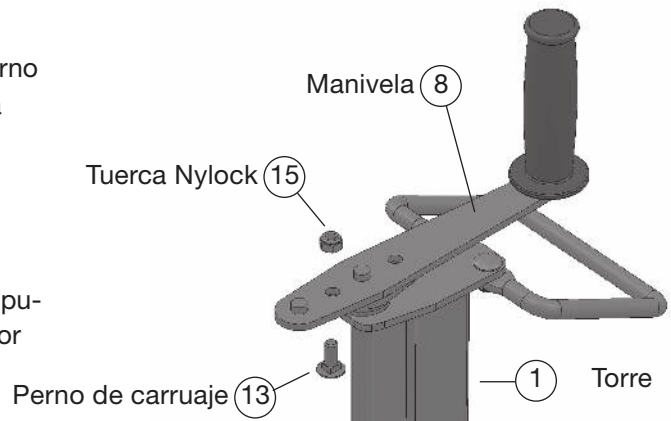


## Instrucciones de montaje

### PASO 5

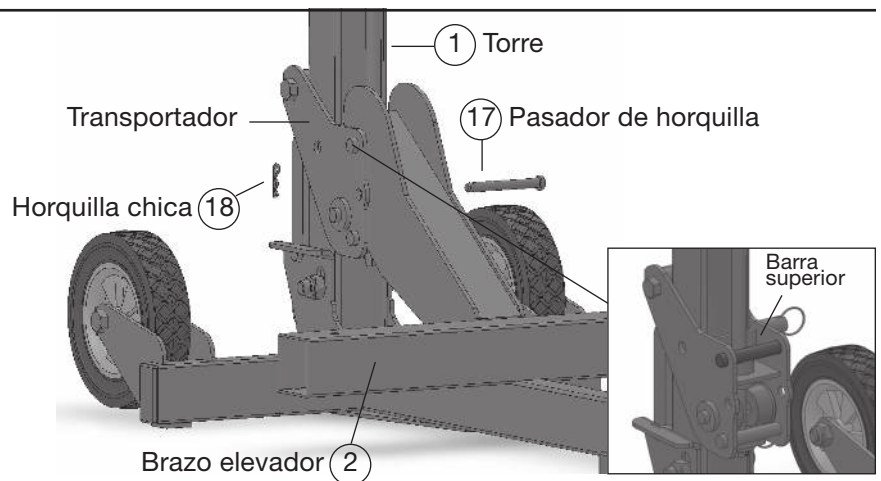
Fije el asa de seguridad (8) a la torre (1) insertando el perno de carruaje (13) con la rosca hacia arriba y ajústelo con la tuerca Nylock (15).

**Nota:** Hay dos orificios en la manivela. El orificio más cercano al asa de goma proporcionará un radio de 6" (15 cm) para hacer funcionar la manivela. El otro orificio proporcionará un radio de 8" (20 cm), facilitando la manipulación de la manivela. Utilice el orificio que funcione mejor con su modelo de podadora.



### PASO 6

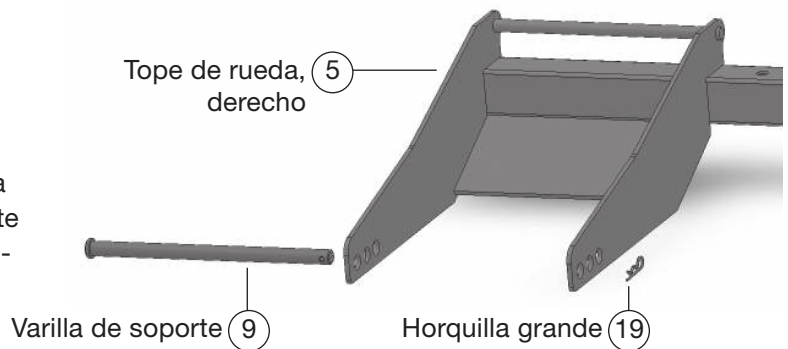
Cuelgue el brazo elevador (2) en el transportador, enganchando el área ranurada del brazo elevador sobre la barra superior del transportador. Inserte el pasador de horquilla (17) a través del orificio del transportador y bloquéelo, colocando la horquilla pequeña (18) en el pasador de horquilla.



### PASO 7

Prepare los topes de rueda (5) y (6) para instalar colocando las varillas de soporte (9) y las horquillas grandes (19).

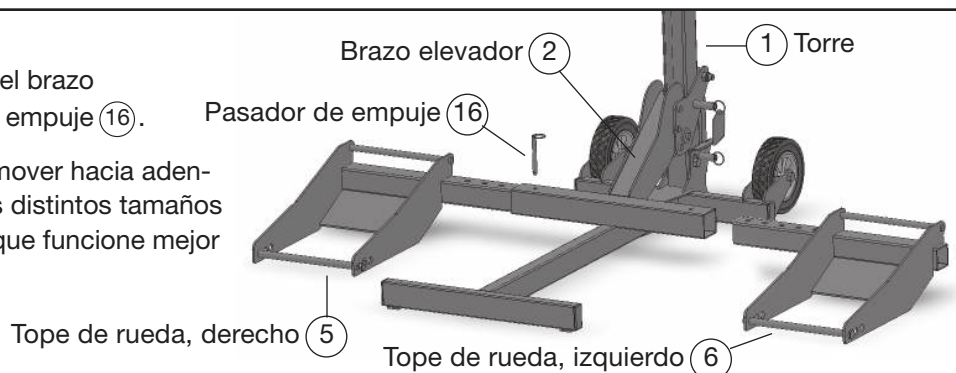
**Nota:** Las varillas de soporte se pueden configurar para adaptarse a diferentes tamaños de neumáticos (consulte la Guía de varillas de soporte para tamaños de neumáticos, en la página 18). Utilice la configuración de orificio que funcione mejor con su modelo de podadora.



### PASO 8

Deslice los topes de rueda (5) y (6) en el brazo elevador (2). Inserte los pasadores de empuje (16).

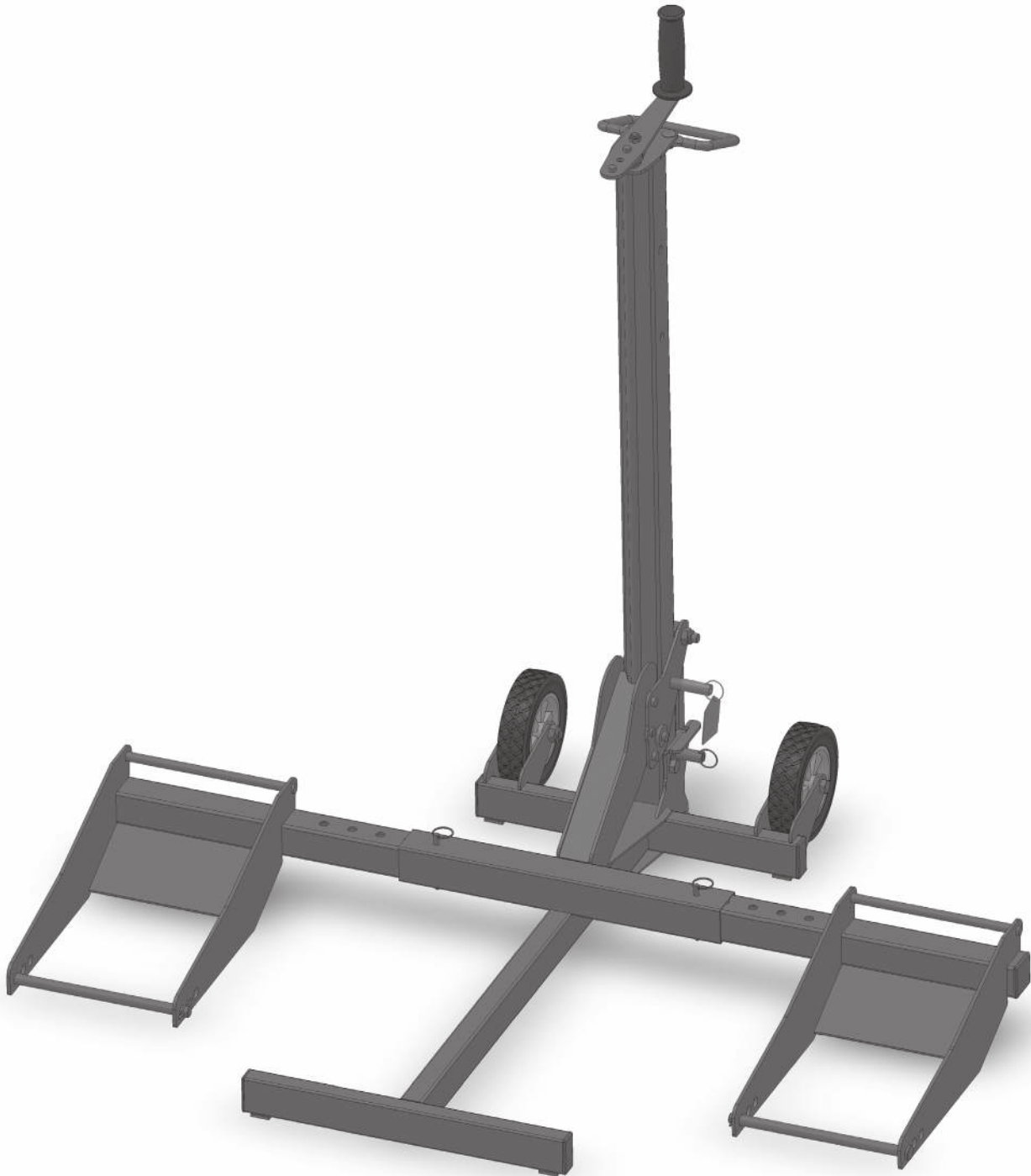
**Nota:** Los topes de rueda se pueden mover hacia adentro o hacia afuera para adaptarse a los distintos tamaños de podadora. Utilice la configuración que funcione mejor con su modelo de podadora.



**SE HA COMPLETADO EL MONTAJE.**

## Instrucciones de funcionamiento

**Algunos pasos de las instrucciones de funcionamiento son iguales a las instrucciones de montaje. Las instrucciones de funcionamiento mostrarán un ciclo de trabajo completo del elevador MoJack EZ.**



 **Ante de utilizar el elevador MoJack EZ, lea con atención todo el manual.**

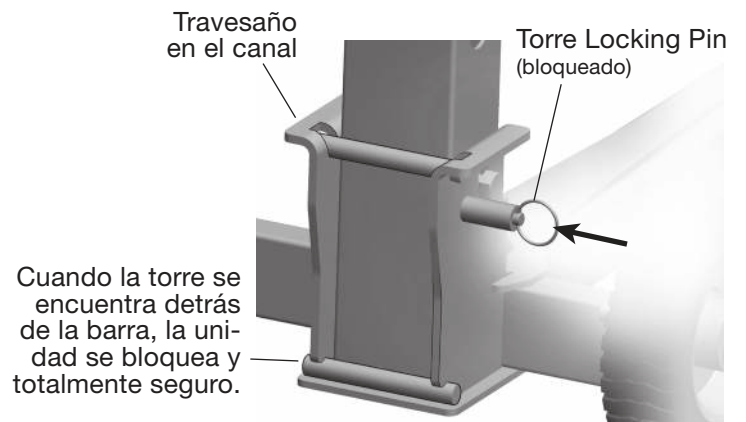
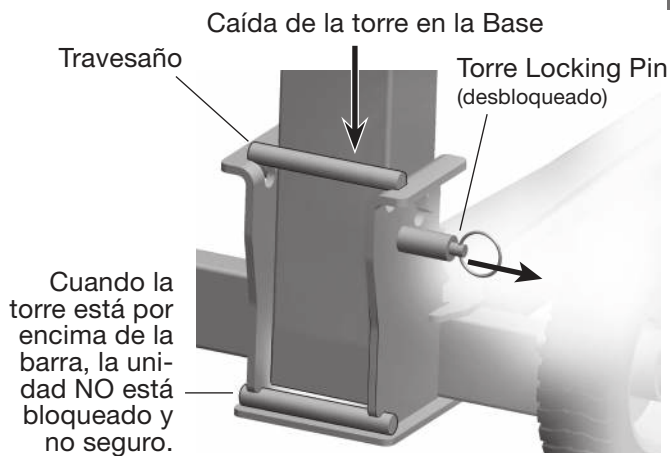
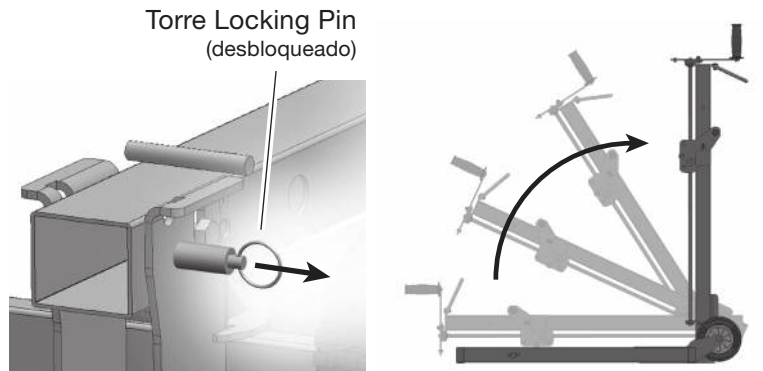
## Instrucciones de funcionamiento

### Preparación del elevador MoJack EZ para el uso (pasos 1 – 7)

#### PASO 1

##### Cómo desplegar el elevador MoJack EZ

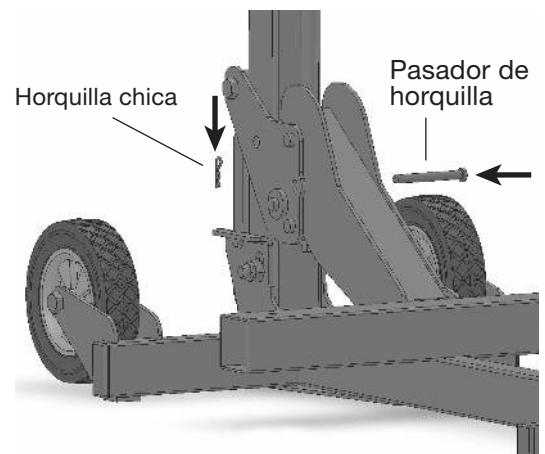
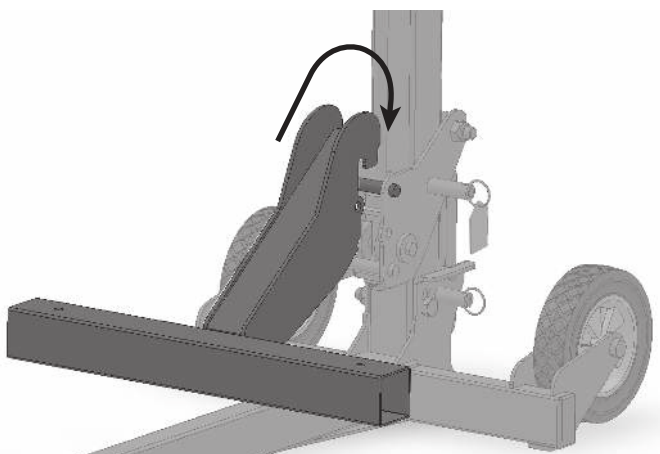
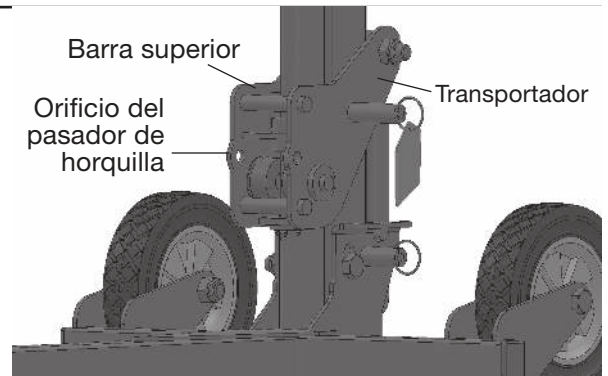
- Tire el pasador de bloqueo a desbloquear.
- Levante la Torre tirando hacia arriba de la manija de agarre. Una vez que la torre está en la posición vertical, levante la manija de agarre y colocar la torre en la Base.
- The tower will be securely locked in place when the locking pin retracts and the tower is snug in the channel behind the crossbar.



#### PASO 2

##### Instalación del brazo elevador

- Cuelgue el brazo elevador en el transportador enganchando el área ranurada del brazo elevador sobre la barra superior del transportador.
- Inserte el pasador de horquilla a través del orificio del transportador y bloquéelo colocando la horquilla pequeña 18 en el pasador de horquilla.

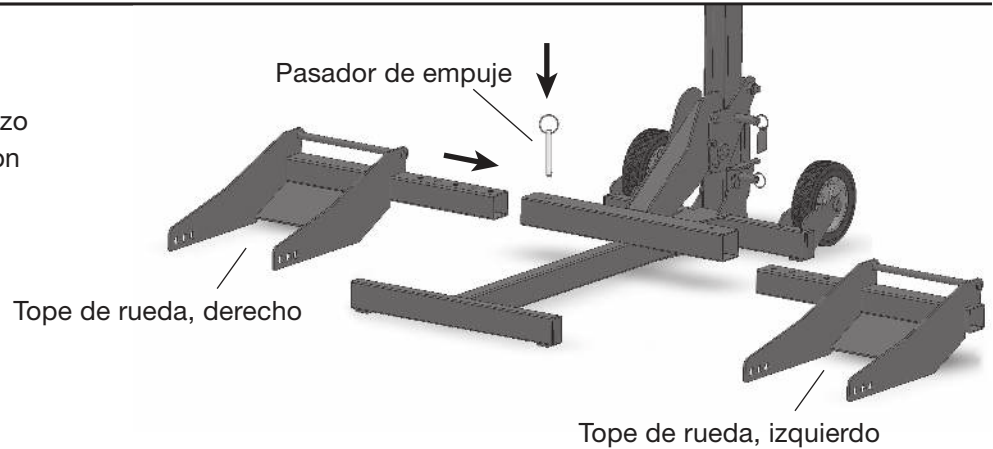


## Instrucciones de funcionamiento

### PASO 3

#### Instalación de los topes de rueda

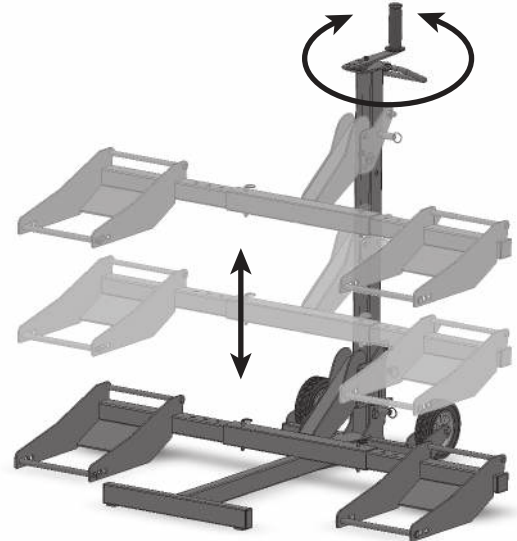
- Deslice los topes de rueda en el brazo elevador y fíjelos provisoriamente con pasadores de empuje.



### PASO 4

#### Familiarícese con el elevador MoJack EZ

- Practique cómo subir y bajar el brazo elevador antes de intentar elevar la podadora (ver pasos 11 a 14, cómo subir y bajar el brazo elevador).
- Practique el Paso 19 si pretende subir o bajar la podadora con un accesorio de taladro.

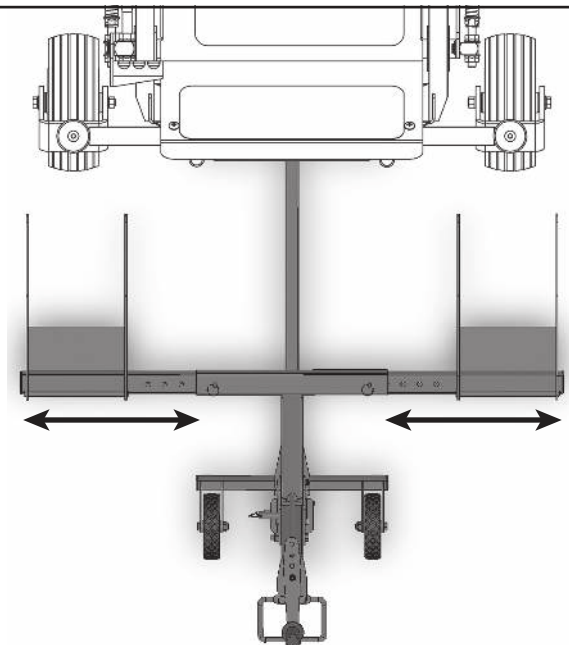


### PASO 5

#### Alineación de los topes de rueda para ajustar a la podadora

- Coloque los neumáticos delanteros de la podadora a una distancia de 6" (15 cm) frente a los topes de rueda.
- Extraiga los pasadores de empuje y alinee los topes de rueda de forma que los neumáticos delanteros de la podadora queden centrados en relación con los topes de rueda.
- Reemplace los pasadores de empuje para bloquear los topes de rueda al brazo elevador.

**⚠** Ambos topes de rueda deben estar a la misma distancia del brazo elevador para mantener el equilibrio adecuado.



## Instrucciones de funcionamiento

### PASO 6

#### Ajuste de las varillas de soporte al tamaño de neumático adecuado

- Ajuste las varillas de soporte sobre los topes de rueda según el tamaño de los neumáticos delanteros de la podadora. Consulte en el gráfico a continuación la ubicación adecuada de la varilla de soporte en base al diámetro de los neumáticos delanteros de la podadora.
- Fije las varillas de soporte a los topes de rueda con horquillas grandes.

#### GUÍA DE VARILLAS DE SOPORTE PARA TAMAÑOS DE NEUMÁTICO

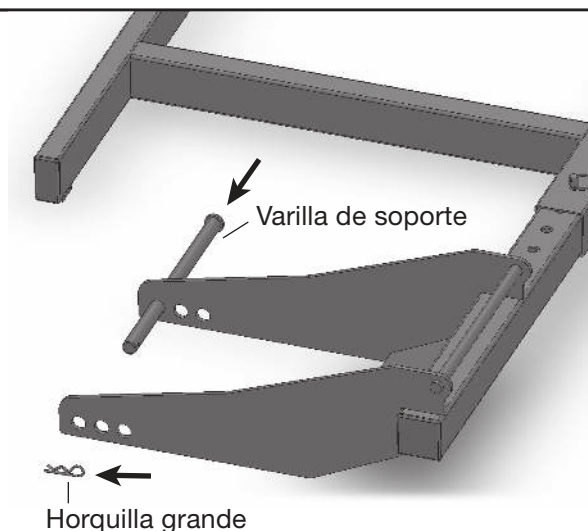
10" - 11.5" (25cm - 29cm)

12" - 15" (30cm - 38cm)

15.5" - 17" (39cm - 44cm)



Consulte la página 36 para obtener información más detallada.

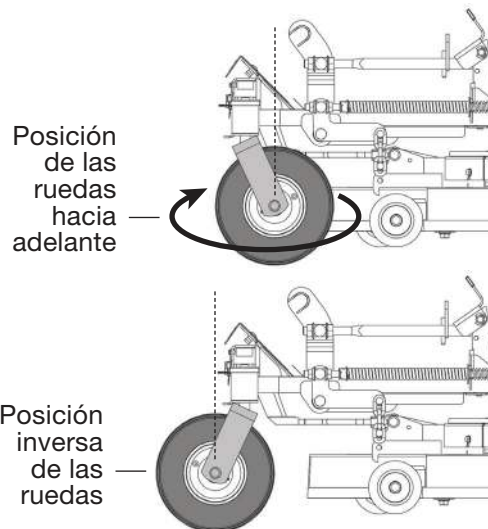


### PASO 7

#### Posición inversa de los neumáticos delanteros de la podadora

(opcional; si no corresponde, pase al paso 8)

- En algunos casos, la cubierta o las ruedas protectoras de la podadora tocarán el brazo elevador mientras se eleva la podadora. Esto sucede con frecuencia si una parte de la cubierta (incluso las ruedas protectoras) sobresalen de la línea central de las ruedas delanteras de la podadora.
- Gire las llantas centrales 180° de forma que queden en posición inversa.
- Extraiga las varillas de soporte de los topes de rueda y deslice el elevador MoJack EZ debajo de la podadora.
- Fije las varillas de soporte a los topes de rueda con horquillas grandes.

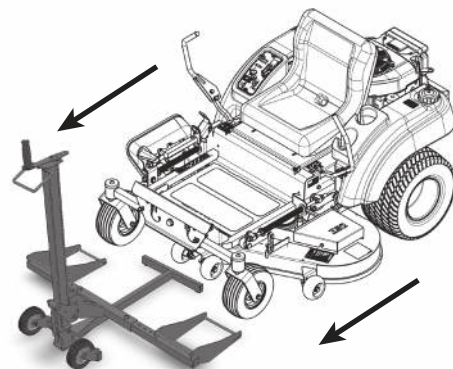


## Utilización del elevador MoJack EZ (pasos 8 a 15)

### PASO 8

#### Traslado de la podadora hacia el elevador MoJack EZ

- ⚠ El elevador MoJack EZ se debe utilizar sobre una superficie sólida y nivelada.
- Conduzca o haga rodar la podadora hasta los topes de rueda.
- ⚠ Detenga el motor y extraiga la llave.

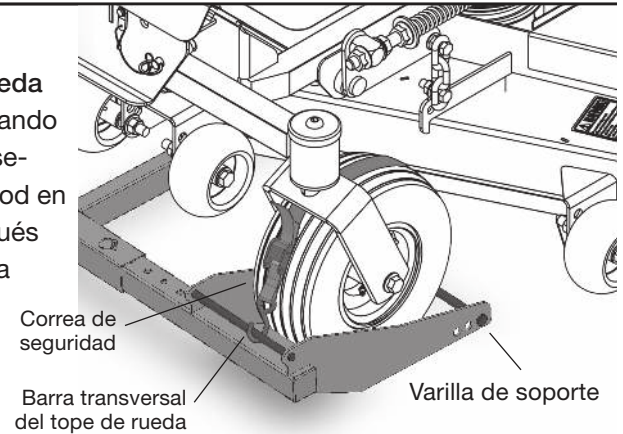


## Instrucciones de funcionamiento

### PASO 9

#### Sujeción de las llantas delanteras de la podadora a los topes de rueda

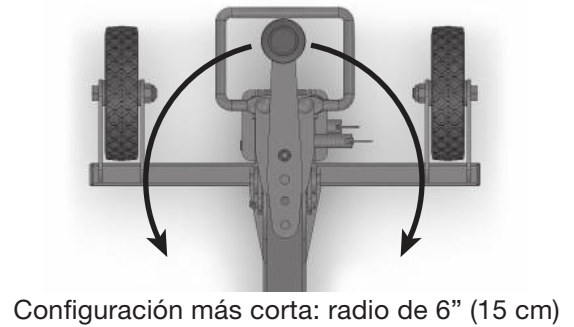
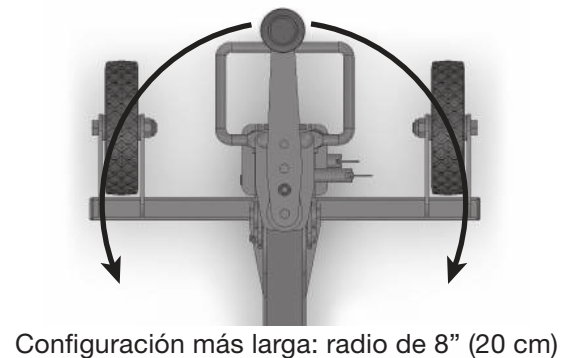
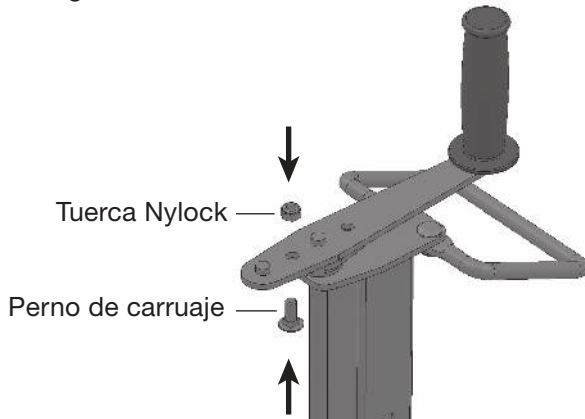
- Fije las llantas delanteras de la podadora a los topes de rueda utilizando las correas de seguridad (10). Asegure el gancho en la correa de la seguridad a la barra cruzada del cojín de la rueda e inserte la ayuda Rod en el lazo en la correa de la seguridad separando la ayuda Rod y después deslizando el lazo de la correa de la seguridad a través y reatando la ayuda Rod.
- Ajuste las correas de seguridad sobre la parte superior del neumático para fijar la podadora a los topes de rueda.



### PASO 10

#### Ajuste de la manivela (opcional)

- La longitud opcional de la manivela está en la configuración mayor. Algunas podadoras tienen accesorios protectores o capós de mayor tamaño que interfieren con las manivelas más grandes. La manivela se puede ajustar extrayendo la tuerca Nylock y el perno de carruaje y volviéndolos a fijar en la configuración más corta.



### PASO 11

#### Elevación de la podadora

- Eleve la podadora girando la manivela en sentido horario.
- Consulte el paso 20 para elevar la podadora con un accesorio de taladro.

⚠ No intente levantar más de 300 lbs (136 kg).

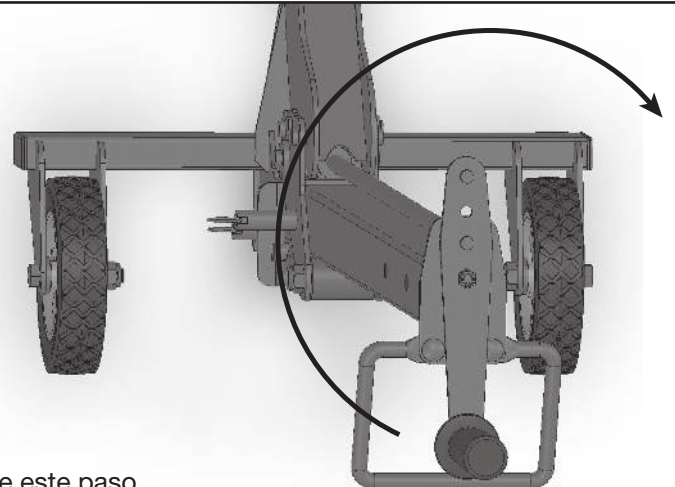
⚠ El elevador MoJack EZ se debe utilizar sobre una superficie sólida y nivelada.

⚠ Se debe apagar el motor y extraer la llave.

⚠ **La podadora debe estar en posición neutral.**

⚠ El freno de estacionamiento debe estar desactivado durante este paso.

⚠ Las correas de seguridad deben estar fijadas con firmeza.

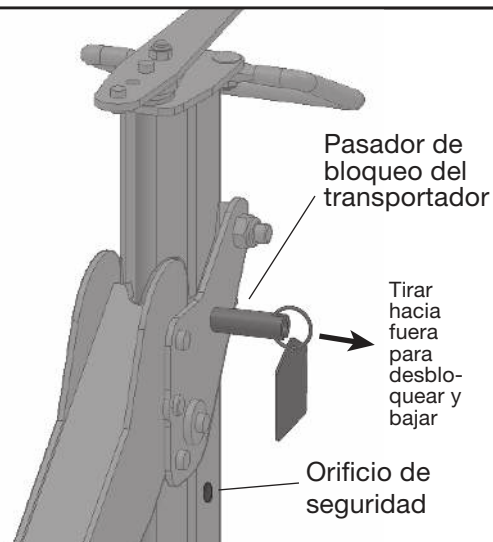


## Instrucciones de funcionamiento

### PASO 12

#### Colocación del brazo elevador en la posición de bloqueo

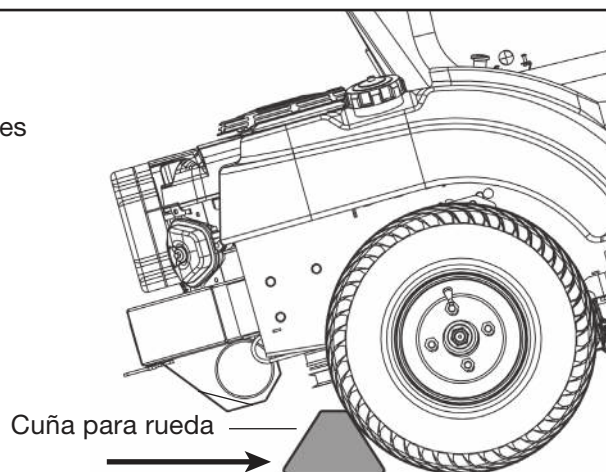
- Levante el brazo elevador hasta que el pasador de bloqueo del transportador quede colocado en el orificio de seguridad.
- El pasador de bloqueo del transportador se introduce automáticamente en los orificios de seguridad cuando el transportador pasa por los orificios ubicados en la torre al elevarse.
- **Nota: Al bajar el brazo elevador, el operador debe tirar del pasador de bloqueo del transportador hasta liberar el orificio de seguridad inferior.**



### PASO 13

#### Preparación de la podadora para el servicio

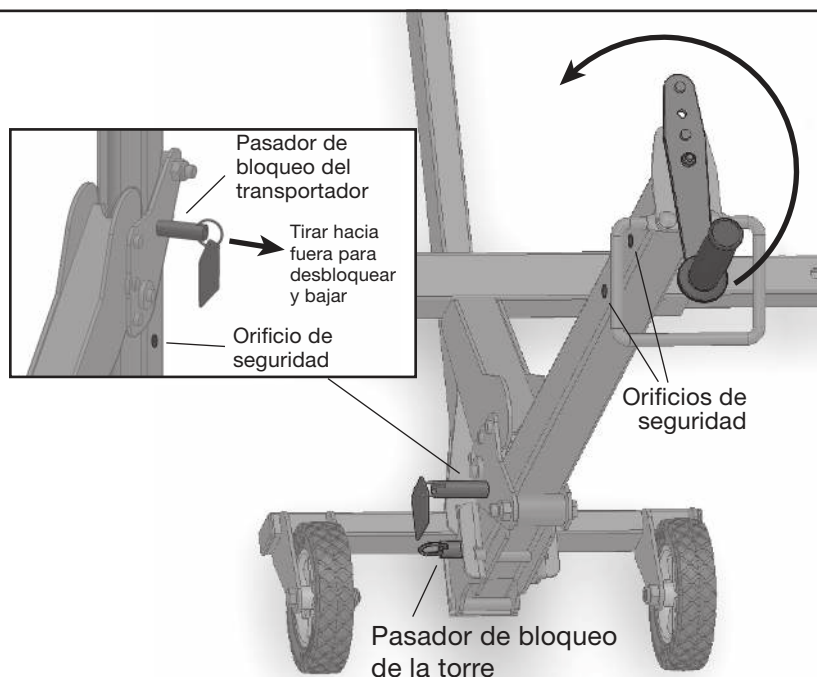
- Coloque las cuñas (no incluidas) detrás de los neumáticos posteriores de la podadora.
- Después active el freno de estacionamiento en la podadora.
- El pasador de bloqueo del transportador debe estar bloqueado en uno de los dos orificios de seguridad.



### PASO 14

#### Descenso de la podadora

- Quite las cuñas de las ruedas.
- Libere el freno de estacionamiento.
- **La podadora debe estar en posición neutral.**
- Tire del pasador de bloqueo del transportador hacia afuera y manténgalo así, girando la manivela en sentido antihorario hasta que los topes de rueda estén ubicados firmemente en el suelo. **Se debe tirar del pasador de bloqueo del transportador hasta que se libere el orificio de seguridad inferior.**

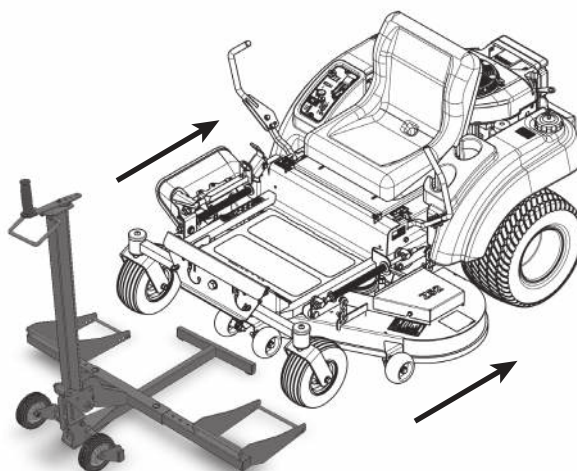


## Instrucciones de funcionamiento

### PASO 15

#### Retiro de la podadora del elevador MoJack EZ

- Quite las correas de seguridad de los neumáticos delanteros de la podadora.
- La extracción de las varillas de soporte es opcional en este paso.
- Conduzca o haga rodar la podadora para alejarla de los topes de rueda.

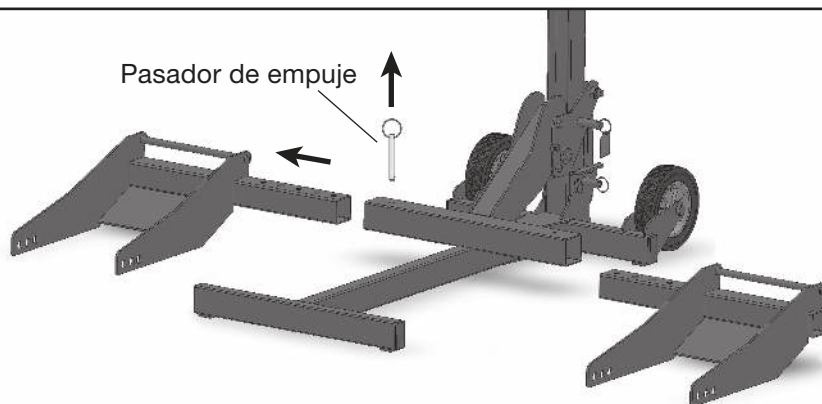


## Preparación del elevador MoJack EZ para almacenamiento (pasos 16 – 18)

### PASO 16

#### Extracción de los topes de rueda

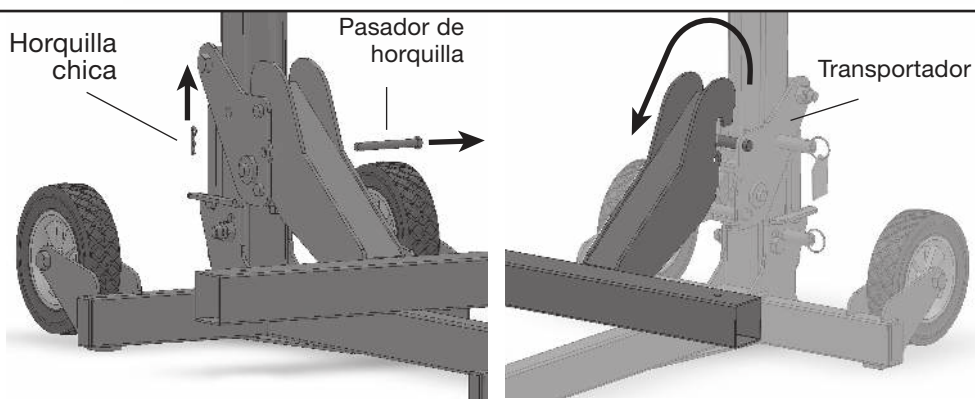
- Extraiga los pasadores de empuje y retire los topes de rueda del brazo elevador.
- Guarde los pasadores de empuje en el brazo elevador.



### PASO 17

#### Desenganche del brazo elevador

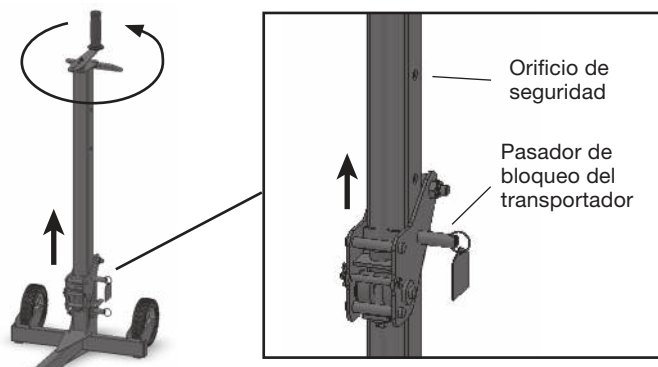
- Extraiga la horquilla pequeña y el pasador de horquilla del brazo elevador.
- Desenganche el brazo elevador del transportador.
- Almacene la horquilla pequeña y el pasador de horquilla en el brazo elevador.



### PASO 18

#### Levante el transportador

- Levante el soporte girando el transportador hacia la derecha hasta el soporte de bloqueo pin gotas de en los agujeros de seguridad

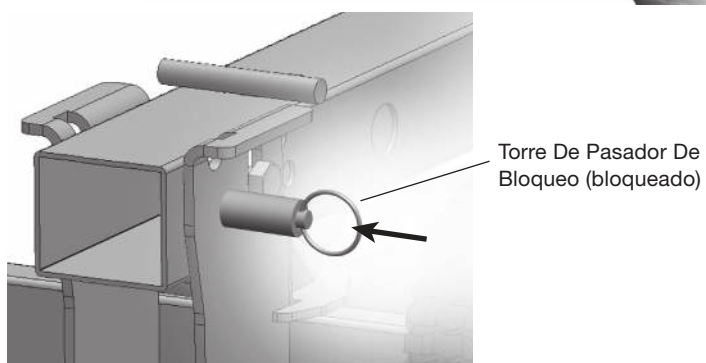
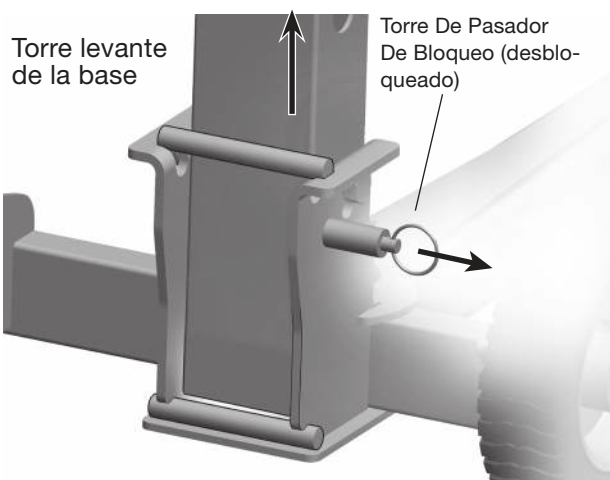
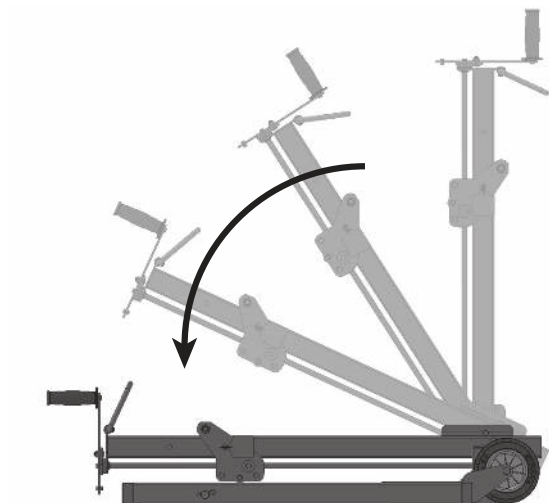


## Instrucciones de funcionamiento

### PASO 19

#### Plegado del elevador MoJack EZ

- Tire el pasador de bloqueo a desbloquear.
- Levante la Torre de la Base tirando hacia arriba de la manija de agarre y luego baje la Torre.
- La torre se bloqueará en su lugar cuando se retrae pasador de bloqueo.




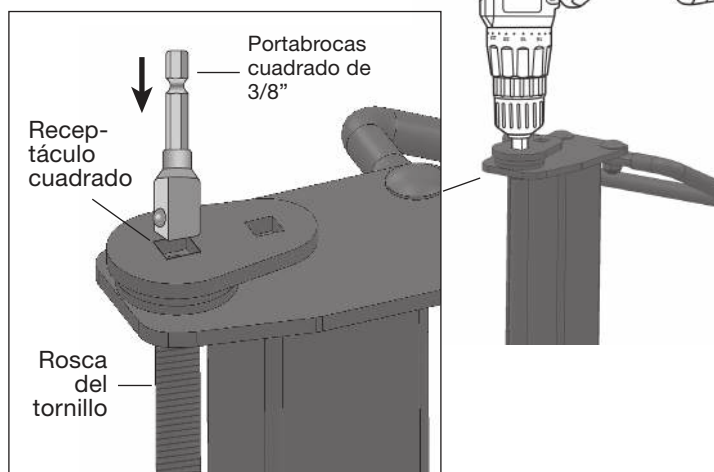
**EL ELEVADOR MOJACK EZ ESTÁ LISTO PARA SU ALMACENAMIENTO O TRANSPORTE.**

### PASO 20

#### Elevación del equipo MoJack EZ con un taladro eléctrico (opcional)

- El equipo MoJack EZ se puede elevar o bajar utilizando un taladro con cable de velocidad variable (7 amp. mínimo) o un taladro sin cable de velocidad variable (18 V mínimo).
- El taladro exigirá un portabrocas de 3/8" (no incluido).
- Extraiga la manivela quitando la tuerca y el perno que ocultan el receptáculo cuadrado de 3/8".
- Inserte con firmeza el portabrocas de 3/8" en el receptáculo cuadrado. Haga girar el taladro hacia delante (sentido horario) para hacer subir el brazo elevador y en sentido inverso (antihorario) para hacer descender el brazo elevador.
- **Se debe tirar del pasador de bloqueo del transportador durante el descenso hasta liberar el orificio de seguridad inferior.**

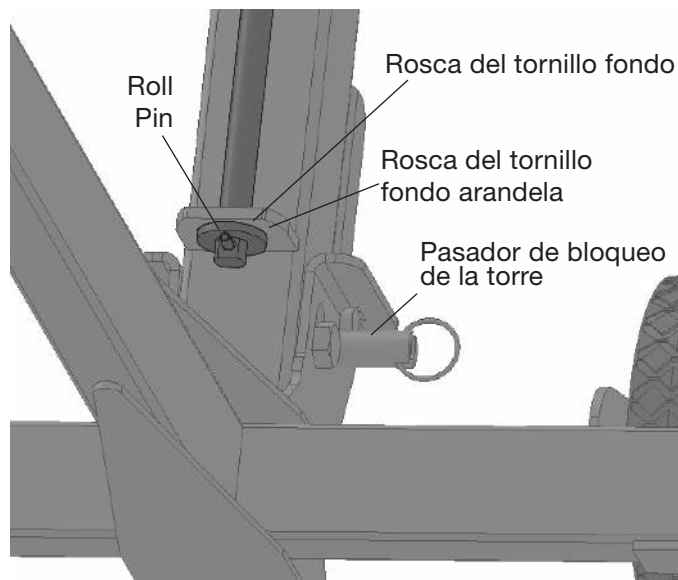
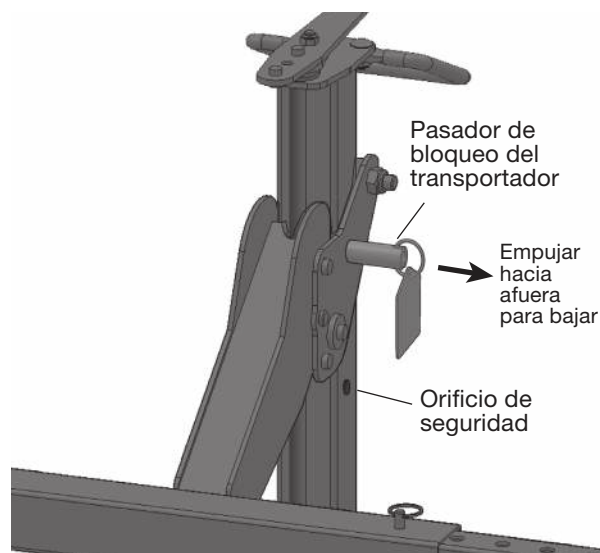
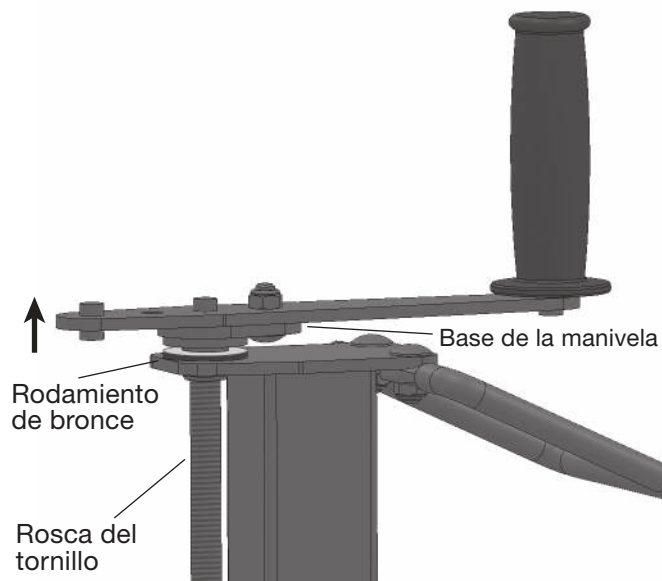
 El operador debe sostener el taladro con firmeza antes de subir o bajar el brazo elevador.



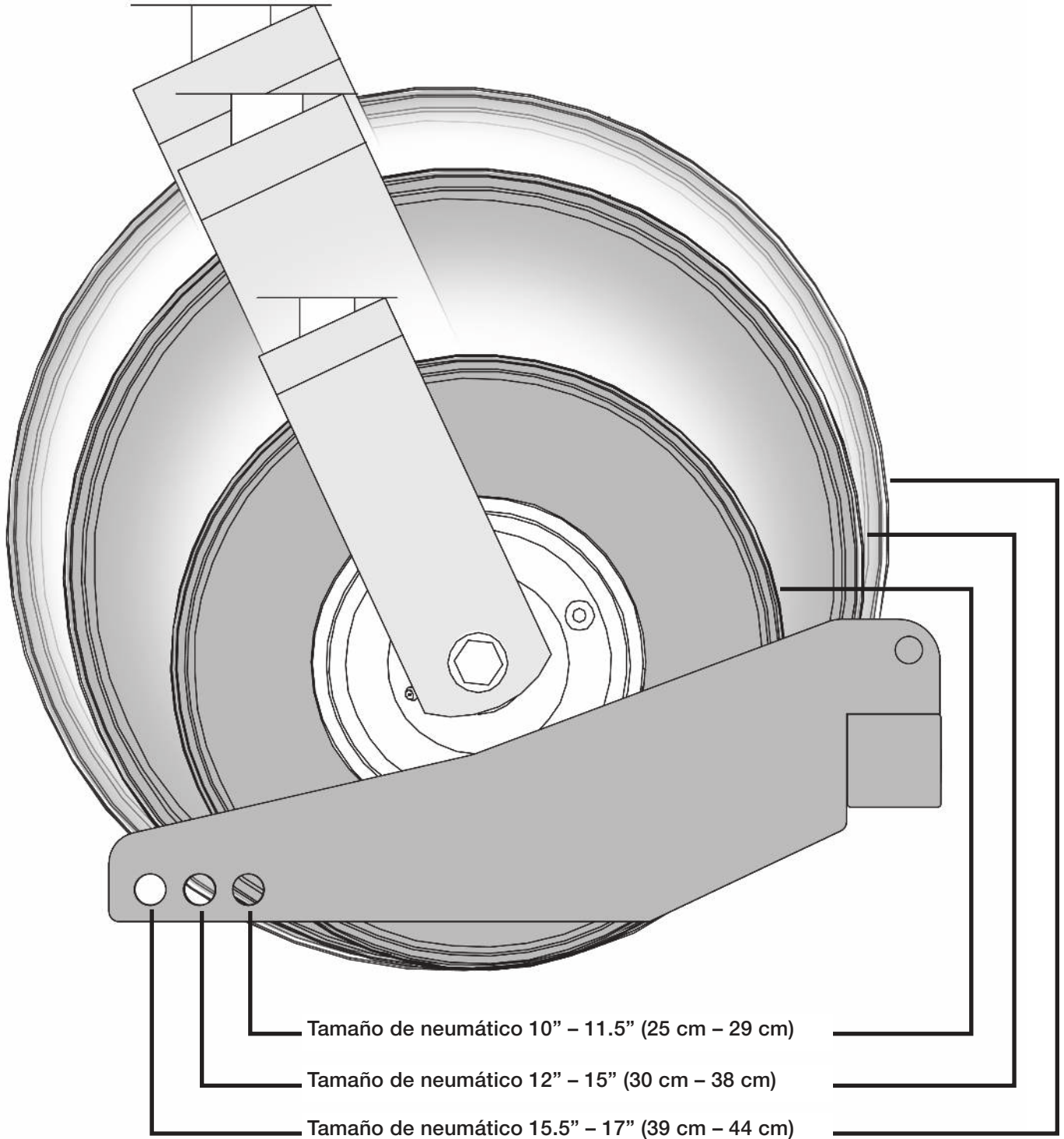
- Siga todas las demás instrucciones de funcionamiento para utilizar el accesorio de taladro.
- Vuelva a colocar la manivela para el uso posterior.

## Programa de mantenimiento

- Antes de cada uso, controle si hay partes gastadas, sueltas o dañadas en el elevador MoJack EZ. Si hubiera partes dañadas, no utilice el elevador MoJack EZ y póngase en contacto con MoJack llamando al 1-877-575-3173.
- Limpie y aceite la rosca del tornillo cada 50 usos o como mínimo una vez al año con aceite lubricante liviano.
- Coloque grasa de litio entre la base de la manivela y el rodamiento de bronce después de 50 usos o una vez al año. Sin aplicar peso sobre el transportador, levante la manivela para crear un pequeño espacio entre el rodamiento de bronce y la base de la manivela. Utilice un cepillo pequeño para aplicar la grasa de litio entre las dos superficies.
- Coloque la grasa de litio en o alrededor de la rosca de tornillo inferior, Roll Pin y tornillo rosca inferior lavadora después de cada 50 usos o por lo menos una vez al año.
- Grasa spray o lubricante en los orificios de bloqueo pin y el Orificio de cada 50 usos o por lo menos una vez al año.
- (Opcional) Controle del funcionamiento del pasador de bloqueo del transportador. Haga girar la manivela para hacer subir el brazo elevador al primer orificio de seguridad y escuche si se produce un clic cuando el pasador se inserta en el orificio. Después de escuchar el clic, invierta la dirección de la rotación de la manivela sin extraer el anillo del pasador de bloqueo del transportador. El pasador debe mantener la altura necesaria. No fuerce la manivela más allá del punto de bloqueo, de lo contrario puede dañar la rosca del tornillo. Si el pasador de bloqueo del transportador no mantiene la altura del brazo elevador, no utilice el equipo MoJack EZ y llame a MoJack al 1-877-575-3173. Después de controlar el funcionamiento del pasador de bloqueo del transportador, proceda a bajar extrayendo el anillo del pasador de bloqueo del transportador.



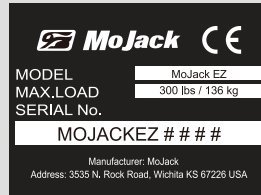
# Guía de varillas de soporte para tamaños de neumáticos



⚠ No es para uso con neumáticos de más de 17" (44cm) de tamaño



## Introduction



Ce manuel traite de l'assemblage et des pièces ainsi que des directives d'utilisation, d'entretien, de réglage et de sécurité pour votre élévateur MoJack EZ.

**VEUILLEZ LIRE ATTENTIVEMENT CE MANUEL EN ENTIER AVANT D'UTILISER VOTRE MOJACK EZ.**

En suivant ces directives d'utilisation, d'entretien, et de sécurité, vous prolongerez la durée de vie de votre élévateur MoJack et favoriserez une opération sécuritaire.

Si vous avez besoin de renseignements additionnels ou des services d'un mécanicien spécialisé, veuillez communiquer avec votre concessionnaire ou votre distributeur d'équipement MoJack autorisé.

Toutes les pièces de MoJack sont testées et inspectées en profondeur avant de quitter l'usine afin de s'assurer qu'elles se conforment à toutes les normes de sécurité pertinentes.

**REMARQUE:** Veuillez conserver ce manuel à des fins de référence future.

**NOTE:** Emplacement de l'unité le numéro de série.

### Need Assistance?

Please **DO NOT** return this product to the store.

Our Customer Service Department is ready to help!  
**1-877-575-3173**

### ¿Necesita ayuda?

¡NO devuelva este producto a la tienda!

¡Nuestro Departamento de Servicio de Atención al Cliente está listo para ayudarle!  
**1-877-575-3173**

### Besoin d'assistance ?

NE renvoyez **PAS** ce produit au magasin.

Notre service clientèle est là pour vous aider !  
**1-877-575-3173**

### Sie brauchen Hilfe?

Bitte dieses Produkt **NICHT** an die Verkaufsstelle retournieren.

Unser Kundendienst ist Ihnen gerne behilflich!  
**1-877-575-3173**

Submit your questions online at:

Envie sus preguntas por Internet a:

Vous pouvez également transmettre votre question en ligne à l'adresse suivante :

Übermitteln Sie Ihre Fragen online unter:

**www.theMoJack.com**

Brevet #s: U.S., 8,448,920 and 8,387,953

© 2014 MoJack Distributors, LLC.

MoJack est une marque déposée de MoJack Distributors, LLC.

MoJack EZ est une marque de commerce de MoJack Distributors, LLC.

## Avertissements et directives de sécurité

---

- ⚠ Veuillez lire et comprendre toutes les directives de sécurité et d'utilisation avant d'utiliser le MoJack EZ.
- ⚠ Ne permettez jamais à quiconque qui n'est pas familier avec les directives de sécurité et d'utilisation d'opérer le MoJack EZ.
- ⚠ Suivez toutes les directives de sécurité et d'entretien fournies par le fabricant de la tondeuse avant d'utiliser le MoJack EZ.
- ⚠ Ne jamais modifier le MoJack. Toute modification entraînera une annulation de la garantie et pourra compromettre votre sécurité.
- ⚠ Lorsque vous utilisez le MoJack EZ, gardez toutes les personnes environnantes à une distance sécuritaire du MoJack EZ.
- ⚠ Le MoJack EZ doit être utilisé sur une surface solide et plane.
- ⚠ Ne soulevez pas l'extrémité avant et l'extrémité arrière de la tondeuse en même temps.
- ⚠ N'utilisez pas l'élévateur MoJack EZ pour d'autres objets qu'une tondeuse, à moins que l'accessoire approprié ne soit utilisé.
- ⚠ Arrêtez toujours le moteur et retirez la clé avant de commencer tout travail sur la tondeuse.
- ⚠ Ne faites jamais fonctionner le moteur de la tondeuse lorsque vous utilisez le MoJack EZ.
- ⚠ N'excédez jamais la capacité de levage de 300 livres.
- ⚠ Si la tour du MoJack EZ s'incline au cours du levage ou de l'abaissement de la tondeuse, cela indique une condition de surcharge. Retirez immédiatement la tondeuse.
- ⚠ La tour doit être verrouillée en place à l'aide de la goupille de verrouillage avant d'utiliser le MoJack EZ.
- ⚠ La goupille de verrouillage du transporteur doit être en position verrouillée dans la tour avant de commencer tout entretien d'une tondeuse.
- ⚠ Ne retirez pas les avertissements ou les décalques de sécurité du MoJack EZ.
- ⚠ Avant chaque utilisation, vérifiez toujours si les pièces sont usées, desserrées ou endommagées sur le MoJack EZ. En présence de pièces endommagées, n'utilisez pas le MoJack EZ et communiquez avec MoJack au 1-877-575-3173.
- ⚠ Ne grimpez pas sur la tondeuse lorsqu'elle est en position soulevée, ou lors de son levage ou de son abaissement.
- ⚠ Personne ne doit se trouver sur la tondeuse lorsqu'elle est en position soulevée, ou lors de son levage ou de son abaissement.
- ⚠ Après que la tondeuse ait été soulevée à une hauteur de travail, placez toujours des cales de roue (non fournies) sous les roues arrière de la tondeuse.
- ⚠ Les appuis pour roue doivent être à une distance égale par rapport au bras du levage afin d'assurer un bon équilibre.
- ⚠ Retirez tous les accessoires de la tondeuse avant d'utiliser le MoJack EZ.
- ⚠ Le manquement à suivre ces avertissements peut entraîner des dommages à la propriété ainsi que des blessures graves ou la mort.

**IMPORTANT:** Le MoJack EZ est conçu pour une utilisation avec les tondeuses à siège seulement. N'excédez jamais 300 livres. Il ne devrait jamais être utilisé pour l'entretien d'autres types de machine à moins qu'un accessoire MoJack approuvé ne soit installé pour le type de machine. Veuillez consulter votre concessionnaire ou distributeur MoJack.

## Garantie et retours

---

### **GARANTIE LIMITÉE**

Pendant deux ans pour une utilisation résidentielle et un an pour une utilisation commerciale, MoJack garantit le produit contre tout défaut de pièces ou de fabrication lorsque le produit est utilisé adéquatement. MoJack remplacera sans frais toute pièce défectueuse. Cette garantie ne couvre pas les produits qui ont été modifiés ou ajustés ou tout produit ayant été mal utilisé ou ayant fait l'objet d'une utilisation abusive.

IL S'AGIT DU RECOURS UNIQUE ET EXCLUSIF DU CLIENT. MOJACK DÉCLINE TOUTE GARANTIE IMPLICITE, INCLUANT LA GARANTIE DE QUALITÉ MARCHANDE ET D'ADAPTATION À UN USAGE PARTICULIER. MOJACK NE SERA PAS TENU RESPONSABLE DE TOUT DOMMAGE INDIRECT OU CONSÉCUTIF. CERTAINS ÉTATS OU PROVINCE NE PERMETTENT PAS L'EXCLUSION OU LA LIMITATION DE GARANTIE IMPLICITE OU LE RECOURS POUR LA VIOLATION DE GARANTIE IMPLICITE, LES PRÉSENTES EXCLUSIONS PEUVENT AINSI NE PAS S'APPLIQUER VOUS. CETTE GARANTIE LIMITÉE VOUS DONNE DES DROITS SPÉCIFIQUES RECONNUS PAR LE LOI ET VOUS POUVEZ AVOIR D'AUTRES DROITS QUI VARIENT D'UN ÉTAT À L'AUTRE OU D'UNE PROVINCE À L'AUTRE.

### **Quels sont les éléments couverts par la garantie?**

Cette garantie couvre un défaut de matériel ou de fabrication à l'intérieur de deux ans de l'achat pour une utilisation résidentielle et à l'intérieur d'un an de l'achat pour une utilisation commerciale.

### **Quels sont les éléments non couverts par la garantie?**

La présente garantie ne s'applique à aucun appareil MoJack dont la forme originale a été modifiée ou ajustée de quelque façon que ce soit. De plus, elle ne s'applique à aucun appareil MoJack endommagé à la suite d'une mauvaise utilisation, une utilisation abusive, un accident ou une négligence. La présente garantie ne protège pas contre les dommages indirects ou consécutifs.

### **Quelle est la période de couverture de la garantie?**

Garantie de deux ans pour l'utilisation résidentielle; garantie d'un an pour l'utilisation commerciale à compter de la date d'achat par le propriétaire original.

### **Comment MoJack résoudra-t-il les problèmes?**

Nous remplacerons, sans frais, toute pièce défectueuse (au cours de la période de couverture).

### **Comment puis-je obtenir du service?**

Afin d'avoir droit au service en vertu de la présente garantie, vous DEVEZ enregistrer votre MoJack dans les trente (30) jours suivant l'achat. Vous devez conserver votre reçu comme preuve de la date d'achat. Vous pouvez enregistrer votre nouveau MoJack sur notre site Web au [www.themojack.com](http://www.themojack.com) ou en composant, sans frais, le 1-877-575-3173.

### **Coordonnées de MoJack pour la résolution de problèmes reliés à la garantie?**

Vous pouvez communiquer avec nous via notre site Web au [www.themojack.com](http://www.themojack.com) ou en composant, sans frais, le 1-877-575-3173.

### **Ai-je d'autres droits en vertu des lois provinciales?**

La présente garantie vous confère des droits spécifiques. Il se peut aussi que vous jouissiez d'autres droits qui varient d'un état à l'autre et d'une province à l'autre.

### **Quelle est la politique de retour?**

Dans les trente (30) jours suivant la date de réception de votre MoJack. Veuillez communiquer avec MoJack au sujet des politiques et procédures de retour à notre numéro sans frais 1-877-575-3173 ou par courriel à [info@themojack.com](mailto:info@themojack.com).

### **Quelle est la procédure de retour?**

Contactez-nous au cours de la période de retour. Nous vous indiquerons un numéro d'autorisation de retour que vous devrez inscrire sur la façade extérieure de la boîte. Toute la marchandise doit être retournée dans son emballage d'origine. Nous prendrons les dispositions nécessaires pour qu'un transporteur national vienne récupérer votre MoJack.

### **Comment recevrai-je mon remboursement?**

Le mode de remboursement est à notre discrétion. Si vous recevez un remboursement, veuillez prévoir quatre semaines pour appliquer le crédit à votre compte. Des frais de retour de marchandise seront déduits du montant de votre remboursement.

### **Les frais d'expédition sont-ils remboursables?**

Non.

### **MoJack a-t-il une politique en matière de frais de retour de marchandise?**

Oui. Les retours et les remboursements exigent un travail accru de notre part. Plutôt que de refile ce coût au client en augmentant les prix des produits, nous faisons comme d'autres sociétés de l'industrie en appliquant des frais de service minimales aux retours de marchandise. Les frais de service sont de 20%.

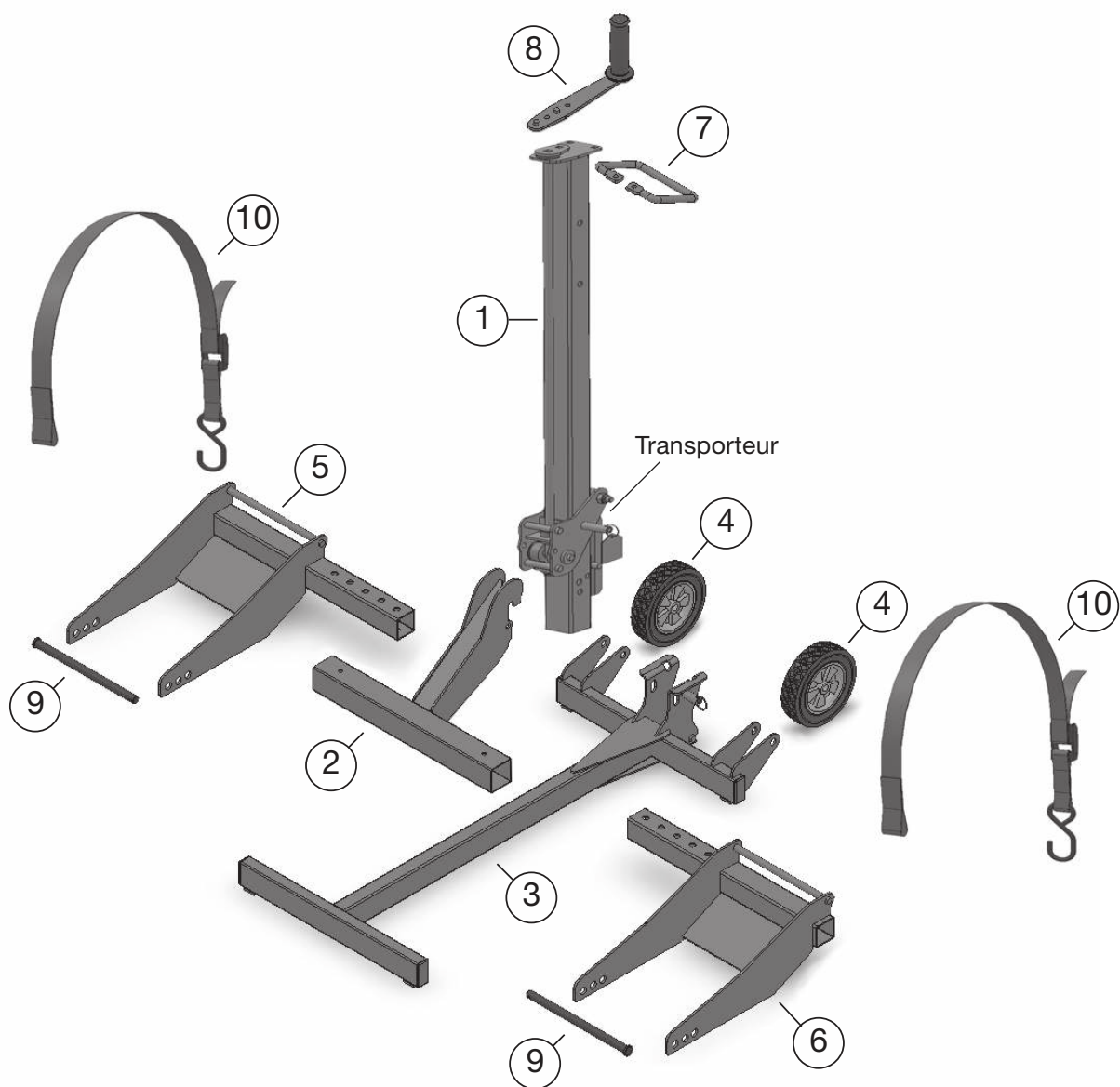
### **Comment puis-je joindre MoJack?**

Vous pouvez nous joindre, sans frais, au 1-877-575-3173 ou par courriel à [info@themojack.com](mailto:info@themojack.com)

## Liste de pièces

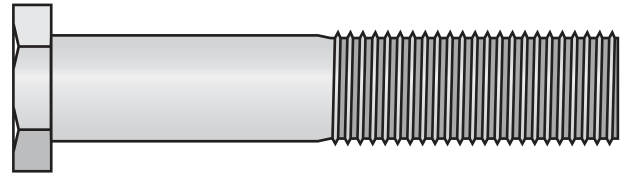
NO d'article	Qté	Description
①	1	Tour
②	1	Bras de levage
③	1	Base
④	2	Roue
⑤	1	Appui pour roue, droit

NO d'article	Qté	Description
⑥	1	Appui pour roue, gauche
⑦	1	Poignée de maintien
⑧	1	Poignée de manivelle
⑨	2	Tige de soutien
⑩	2	Sangle de sécurité

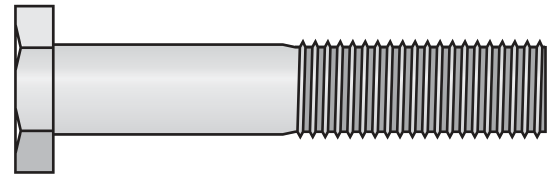


## Liste de quincaillerie

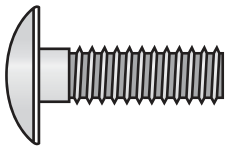
NO d'article	Qté	Description
⑪	1	Vis d'assemblage M12-1,75 X 80
⑫	2	Vis d'assemblage M12-1,75 X 65
⑬	3	Boulon de carrosserie M12-1,25 X 20
⑭	3	Écrou nyloc – M12-1,75
⑮	3	Écrou nyloc – M8-1,25
⑯	2	Goupille-poussoir
⑰	1	Axe de chape
⑱	1	Petite épingle à cheveux
⑲	2	Grande épingle à cheveux



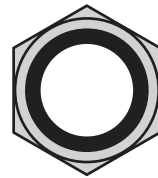
⑪ Vis d'assemblage M12-1,75 X 80



⑫ Vis d'assemblage M12-1,75 X 65



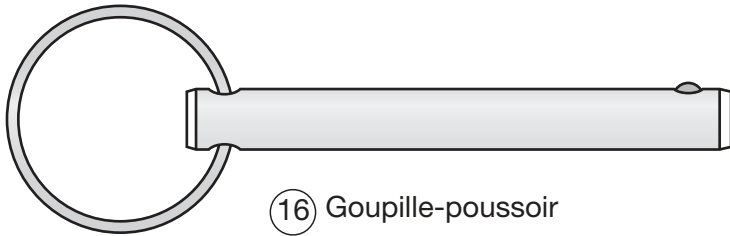
⑬ Boulon de carrosserie M12-1,25 X 20



⑭ Écrou nyloc – M12-1,75



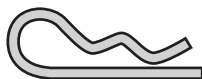
⑮ Écrou nyloc – M8-1,25



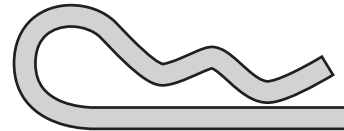
⑯ Goupille-poussoir



⑰ Axe de chape

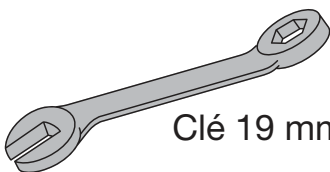


⑱ Petite épingle à cheveux

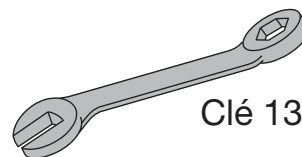


⑲ Grande épingle à cheveux

## Outils requis pour l'assemblage



Clé 19 mm (2)



Clé 13 mm (1)

## Directives d'assemblage

### ÉTAPE 1

Retirez le MoJack EZ de l'emballage.

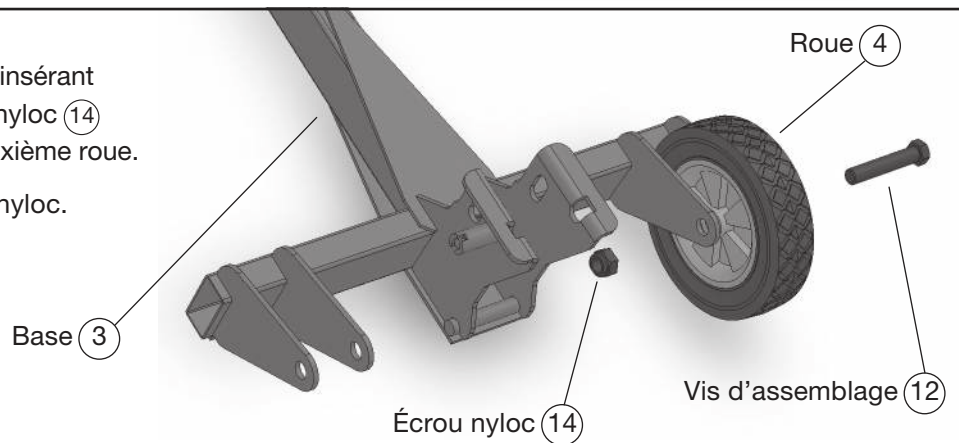
Vérifiez les articles pour vous assurer que toutes les pièces et la quincaillerie sont présentes. Si des pièces ou des articles de quincaillerie sont manquants, veuillez communiquer avec MoJack au 1-877-575-3173 ou par courriel à parts@themojack.com.



### ÉTAPE 2

Assemblez la roue (4) à la base (3) en insérant une vis d'assemblage (12) et un écrou nyloc (14) et serrez. Faites de même avec la deuxième roue.

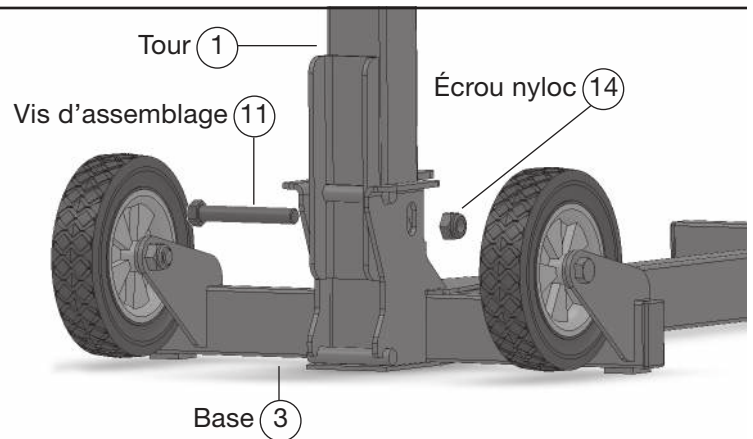
Remarque: Ne serrez pas trop Écrou nyloc.



### ÉTAPE 3

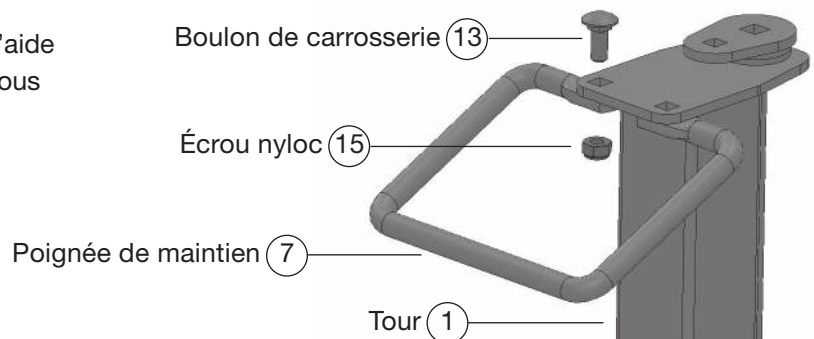
Fixez la tour (1) à la base (3) en utilisant une vis d'assemblage (11) et un écrou nyloc (14) tel que montré.

Remarque: Ne serrez pas trop Écrou nyloc.



### ÉTAPE 4

Fixez la poignée de maintien (7) à la tour (1) à l'aide de deux boulons de carrosserie (13) et deux écrous nyloc (15).

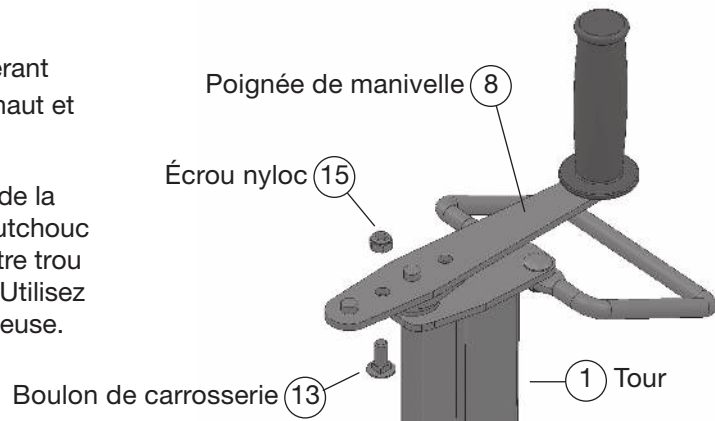


## Directives d'assemblage

### ÉTAPE 5

Fixez la poignée de manivelle (8) à la tour (1) en insérant un boulon de carrosserie (13) avec le filetage vers le haut et serrez avec un écrou nyloc (15).

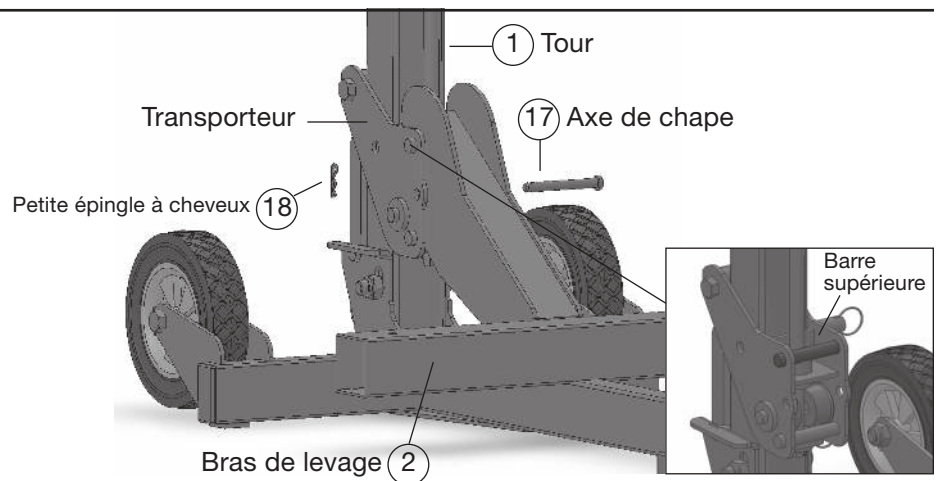
**Remarque:** Deux trous se trouvent dans la poignée de la manivelle. Le trou le plus près de la poignée en caoutchouc procure un rayon de 6 po pour le soulèvement. L'autre trou procure un rayon de 8 po, facilitant le soulèvement. Utilisez le trou qui convient le mieux à votre modèle de tondeuse.



### ÉTAPE 6

Suspendez le bras de levage (2) sur le transporteur en insérant la zone à rainure du bras de levage sur la barre supérieure du transporteur.

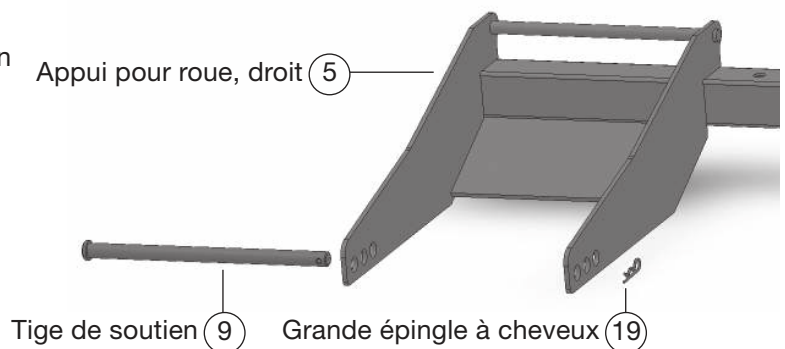
Insérez l'axe de chape (17) dans le trou du transporteur et verrouillez en fixant la petite épingle à cheveux (18) à l'axe de chape.



### ÉTAPE 7

Préparez les appuis pour roue (5) et (6) pour l'installation en ajoutant les tiges de soutien (9) et les grandes épingles à cheveux (19).

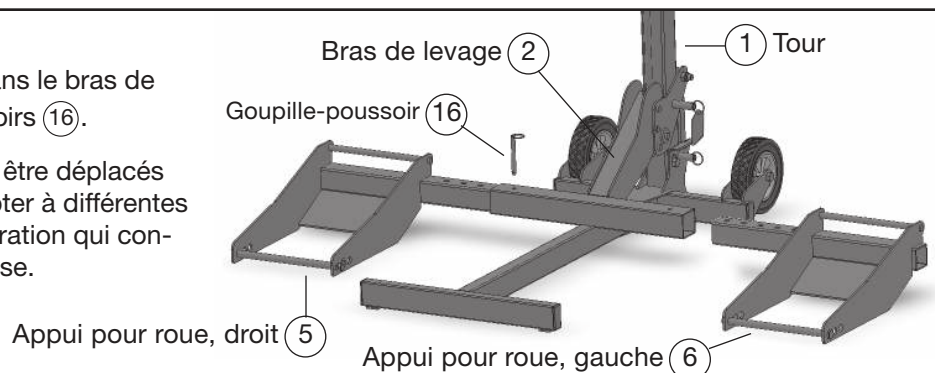
**Remarque:** Les tiges de soutien peuvent être configurées pour s'adapter à différentes dimensions de pneu (consultez le Guide de tiges de soutien au sujet des dimensions des pneus à page 18) Utilisez la configuration de trou qui convient le mieux à votre modèle de tondeuse.



### ÉTAPE 8

Glissez les appuis pour roue (5) et (6) dans le bras de levage (2). Insérez des goupilles-poussoirs (16).

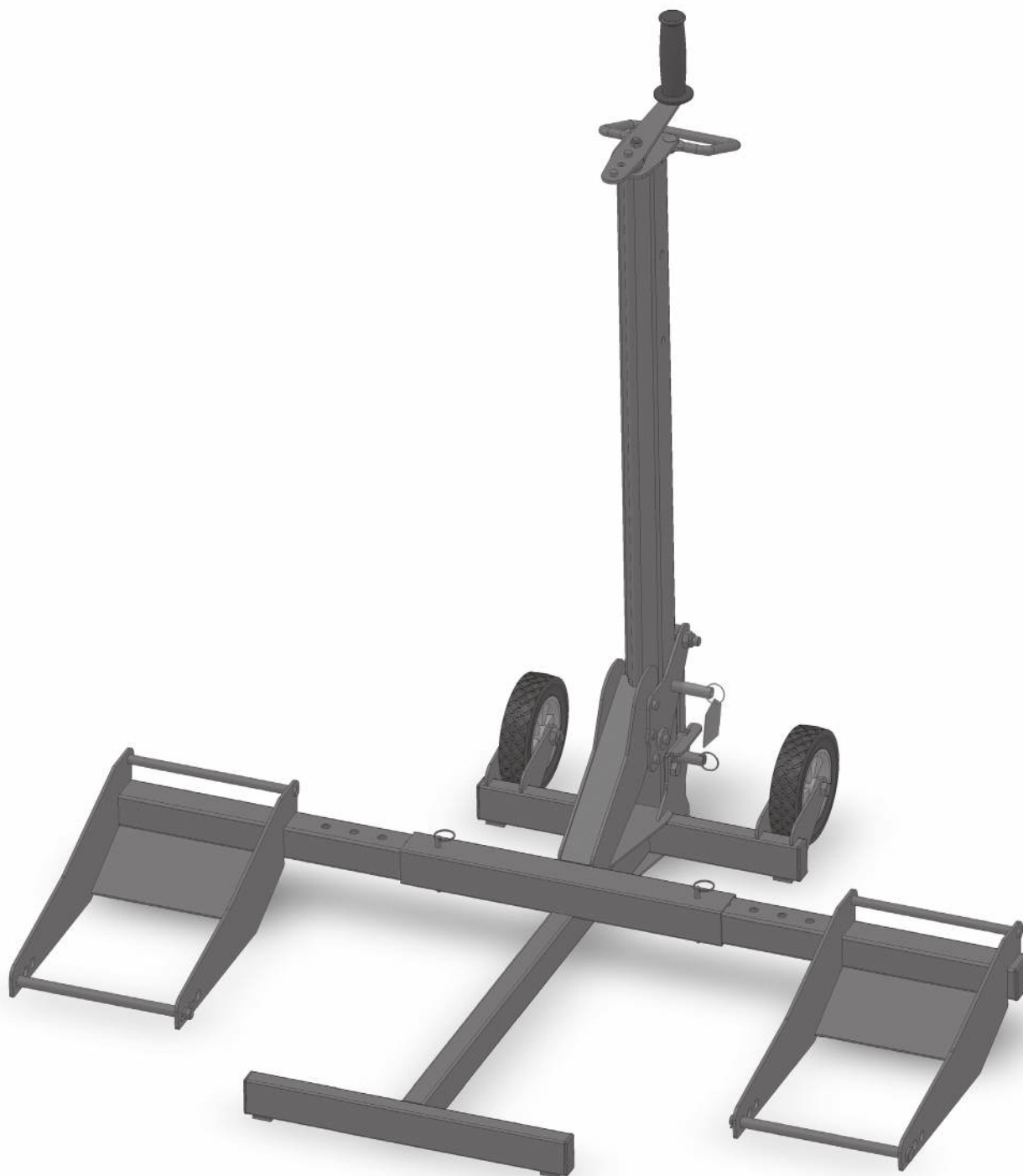
**Remarque:** Les appuis de roue peuvent être déplacés vers l'intérieur ou l'extérieur pour s'adapter à différentes largeurs de tondeuse. Utilisez la configuration qui convient le mieux à votre modèle de tondeuse.




**CELA TERMINE L'ASSEMBLAGE.**

## Directives d'utilisation

Certaines étapes des directives d'utilisation sont identiques à celles des directives d'assemblage. Les directives d'utilisation montreront un cycle d'utilisation complet du MoJack EZ.



 Veuillez lire entièrement ce manuel avant d'utiliser votre MoJack EZ.

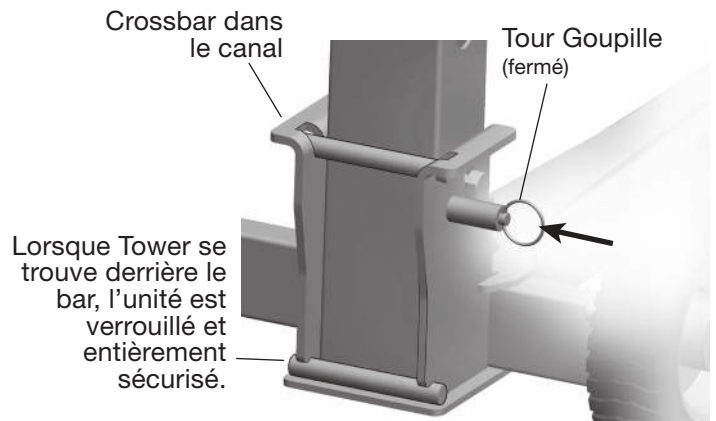
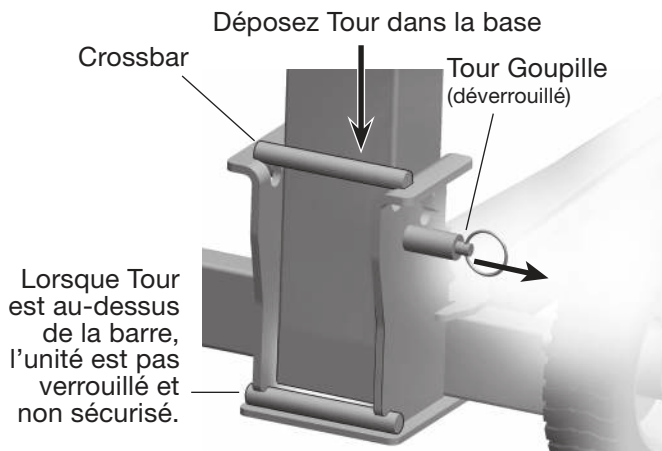
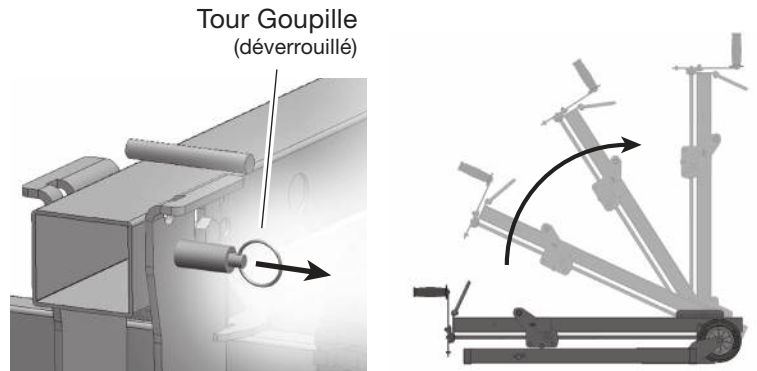
## Directives d'utilisation

### Préparation du MoJack EZ pour l'utilisation (Étapes 1 à 7)

#### ÉTAPE 1

##### Dépliage du MoJack EZ

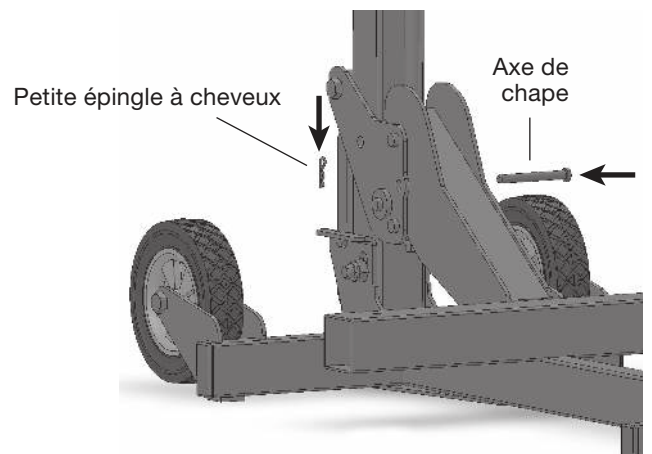
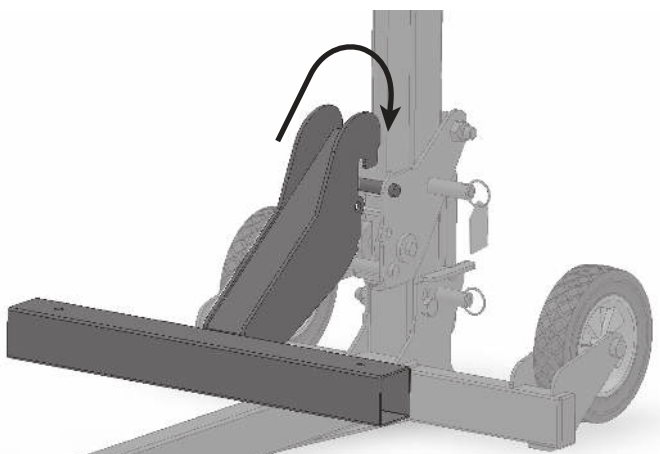
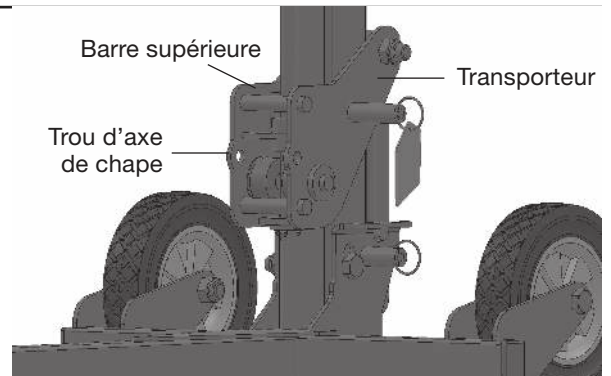
- Tirez sur la goupille de verrouillage pour déverrouiller.
- Soulevez le Tour en tirant sur la poignée Grip. Une fois que le Tour est dans la position verticale, soulevez la poignée Grip et déposez le Tour dans la base.
- La tour sera bien verrouillé en place lorsque la goupille de verrouillage se rétracte et la tour est bien au chaud dans le canal derrière la barre transversale.



#### ÉTAPE 2

##### Installation du bras de levage

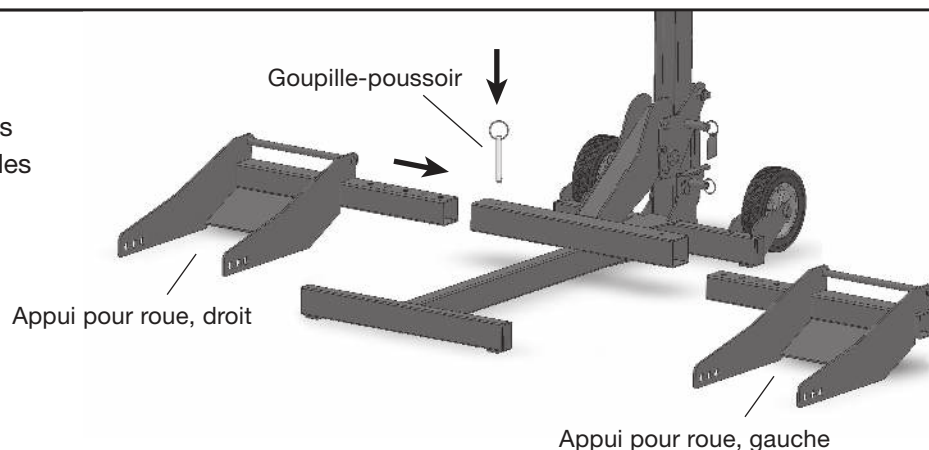
- Suspendez le bras de levage sur le transporteur en insérant la zone à rainure du bras de levage sur la barre supérieure du transporteur.
- Insérez l'axe de chape dans le trou du transporteur et verrouillez en fixant la petite épingle à cheveux à l'axe de chape.



### ÉTAPE 3

#### Installation des appuis pour roue

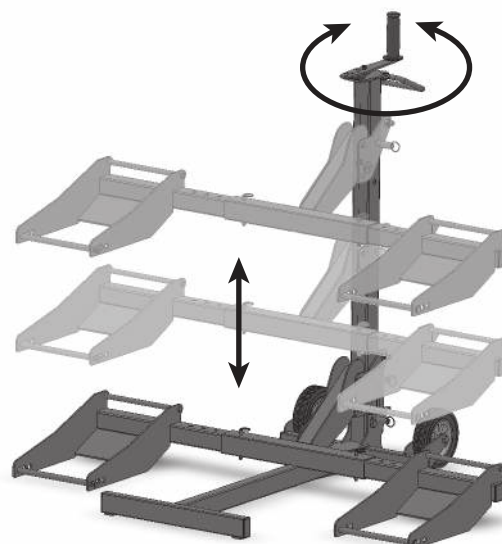
- Glissez les appuis pour roue dans le bras de levage et fixez temporairement avec les goupilles-poussoirs.



### ÉTAPE 4

#### Familiarisez-vous avec le MoJack EZ

- Pratiquez-vous à soulever et à abaisser le bras de levage avant de tenter de soulever la tondeuse (consultez les étapes 11 à 14 sur la façon de soulever et d'abaisser le bras de lavage).
- Pratiquez-vous à effectuer l'étape 19 si vous avez l'intention de soulever ou d'abaisser la tondeuse à l'aide d'une perceuse.

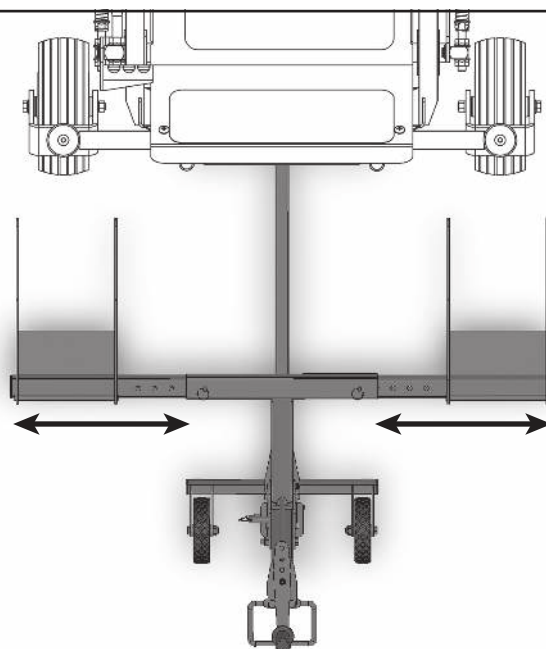


### ÉTAPE 5

#### Alignement des appuis pour roue pour l'adaptation à la tondeuse

- Placez les pneus avant de la tondeuse 6 po à l'avant des appuis pour roue.
- Retirez les goupilles-poussoirs et alignez les appuis pour roue de sorte que les pneus avant de la tondeuse soient centrés par rapport aux appuis pour roue.
- Remplacez les goupilles-poussoirs pour verrouiller les appuis pour roue dans le bras de levage.

⚠ Les appuis pour roue doivent être à une distance égale par rapport au bras du levage afin d'assurer un bon équilibre.



## Directives d'utilisation

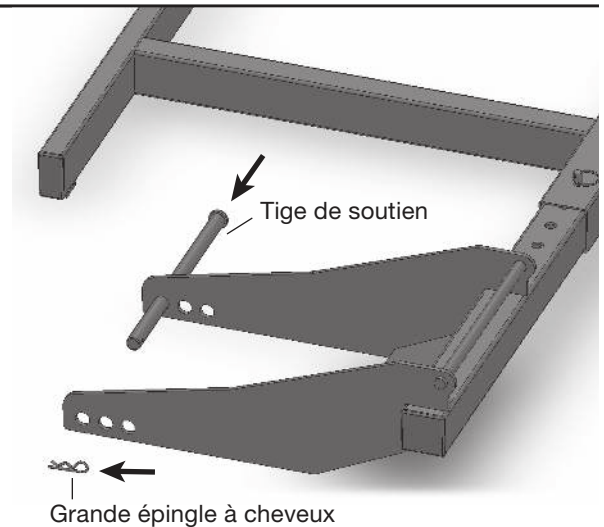
### ÉTAPE 6

#### Ajustement des tiges de soutien en fonction de la dimension des pneus

- Ajustez les tiges de soutien des appuis pour roue en fonction de la dimension des pneus avant de la tondeuse. Veuillez vous référer au tableau ci-dessous pour le positionnement des tiges de soutien selon le diamètre des pneus avant de la tondeuse.
- Fixez les tiges de soutien aux appuis pour roue à l'aide des grandes épingles à cheveux.

GUIDE DES TIGES DE SOUTIEN POUR LES DIMENSIONS DE PNEU	
10 po à 11,5 po (25 cm à 29 cm)	
12 po à 15 po (30 cm à 38 cm)	

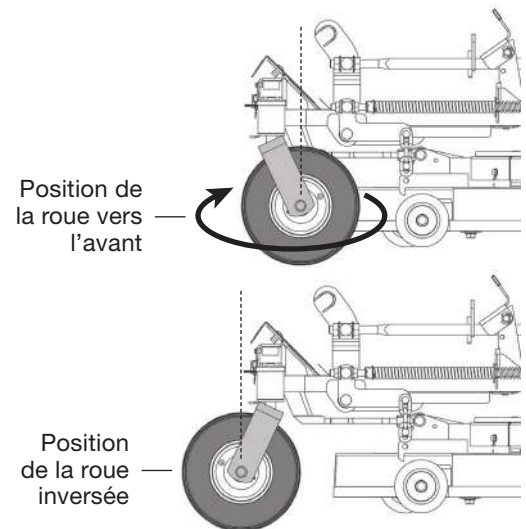
Consultez le guide plus détaillé à la page 54.



### ÉTAPE 7

#### Inversez les pneus avant de la tondeuse (*facultatif – si ce n'est pas applicable, passez à l'étape 8*)

- Dans certains cas, le carter de la tondeuse ou les roues anti-dégazonnement frapperont le bras de lavage lors du soulèvement de la tondeuse.
- C'est souvent le cas lorsqu'une partie du carter (incluant les roues anti-dégazonnement) excède la ligne centrale des roues avant de la tondeuse.
- Tournez les pneus avant de 180 degrés de sorte qu'ils soient à la position inversée.
  - Retirez les tiges de soutien des appuis pour roue et glissez le MoJack EZ sous la tondeuse.
  - Fixez les tiges de soutien aux appuis pour roue à l'aide des grandes épingles à cheveux.

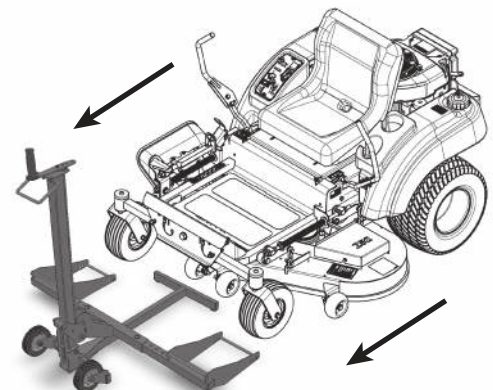


## Utilisation du MoJack EZ (Étapes 8 à 15)

### ÉTAPE 8

#### Déplacement de la tondeuse sur le MoJack EZ

- ⚠ Le MoJack doit être utilisé sur une surface solide et plane.
- Placez la tondeuse sur les appuis de roue en la conduisant ou en la poussant.
- ⚠ Arrêtez le moteur et retirez la clé.

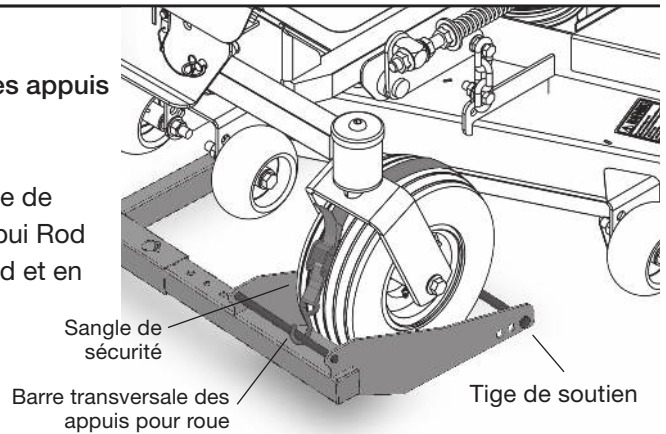


## Directives d'utilisation

### ÉTAPE 9

Installation des sangles sur les pneus avant de la tondeuse et les appuis de roue

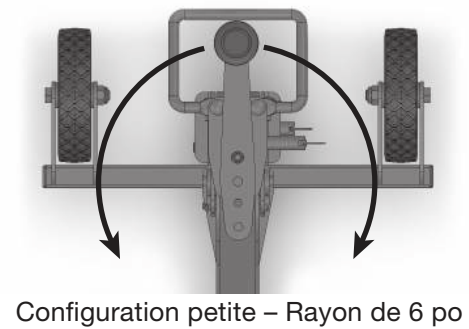
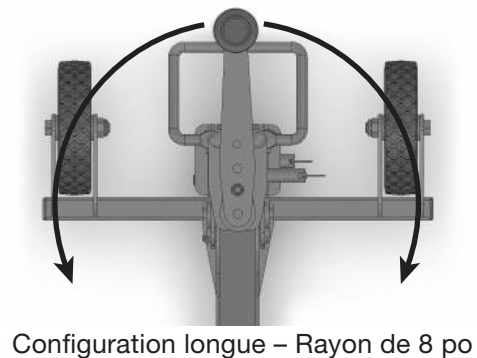
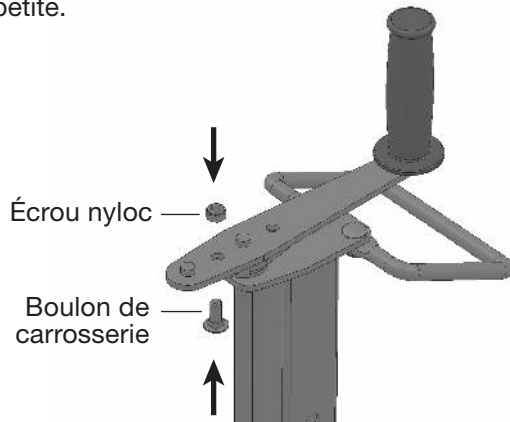
- Fixez les pneus avant de la tondeuse aux appuis pour roue à l'aide des sangles de sécurité (10). Fixez le crochet sur la courroie de sûreté à la barre de traverse de garniture de roue et insérez l'appui Rod dans la boucle sur la courroie de sûreté en détachant l'appui Rod et en glissant alors la boucle de courroie de sûreté à travers et en rattachant l'appui Rod.
- Serrez les sangles de sécurité sur le dessus du pneu pour fixer la tondeuse aux appuis pour roue.



### ÉTAPE 10

Ajustement de la poignée de manivelle (*en option*)

- La longueur de la poignée de manivelle en option fait partie de la configuration longue. Certaines tondeuses sont dotées d'une grille de protection ou de capots plus grands qui interfèrent avec la poignée de manivelle plus longue. La poignée de manivelle peut être ajustée en retirant l'écrou nyloc et le boulon de carrosserie et en les installant dans une configuration plus petite.

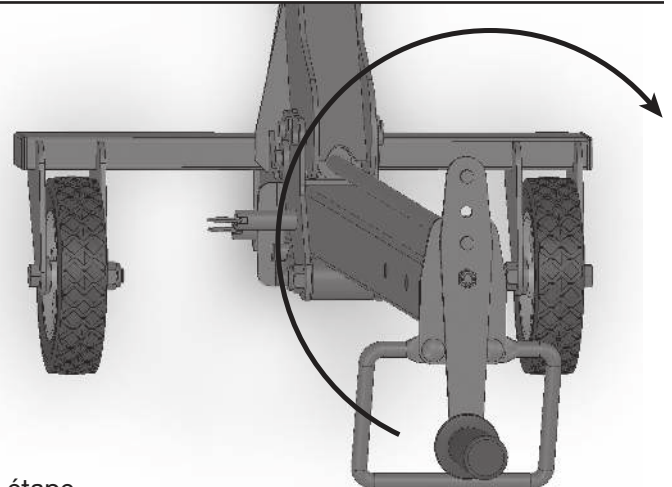


### ÉTAPE 11

Soulèvement de la tondeuse

- Soulevez la tondeuse en tournant la poignée de manivelle en sens horaire.
- Consultez l'étape 20 pour le soulèvement de la tondeuse à l'aide d'une perceuse.

- ⚠ Ne tentez pas de soulever plus de 300 livres.
- ⚠ Le MoJack doit être utilisé sur une surface solide et plane.
- ⚠ Le moteur doit être éteint et la clé retirée.
- ⚠ **La tondeuse doit être en position neutre.**
- ⚠ Le frein de stationnement doit être désengagé pendant cette étape.
- ⚠ Les sangles de sécurité doivent être solidement serrées.

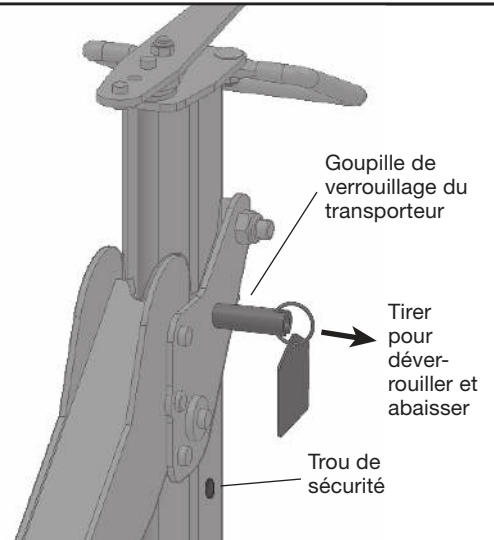


## Directives d'utilisation

### ÉTAPE 12

#### Soulèvement du bras de lavage en position verrouillée

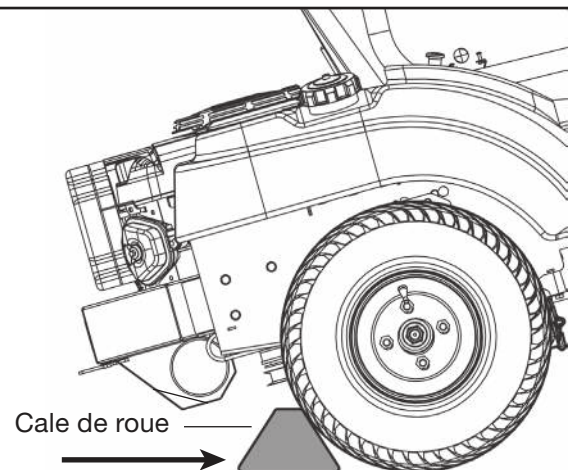
- Soulevez le bras de lavage jusqu'à ce que la goupille de verrouillage du transporteur s'insère dans le trou de sécurité.
- La goupille de verrouillage du transporteur s'insère automatiquement dans les trous de sécurité lorsque le transporteur passe vis-à-vis les trous de sécurité de la tour au moment du soulèvement.
- **Remarque: Lors de l'abaissement du bras de lavage, la goupille de verrouillage du transporteur doit être maintenue par l'opérateur jusqu'à ce qu'elle dépasse le trou de sécurité.**



### ÉTAPE 13

#### Préparation de la tondeuse pour l'entretien

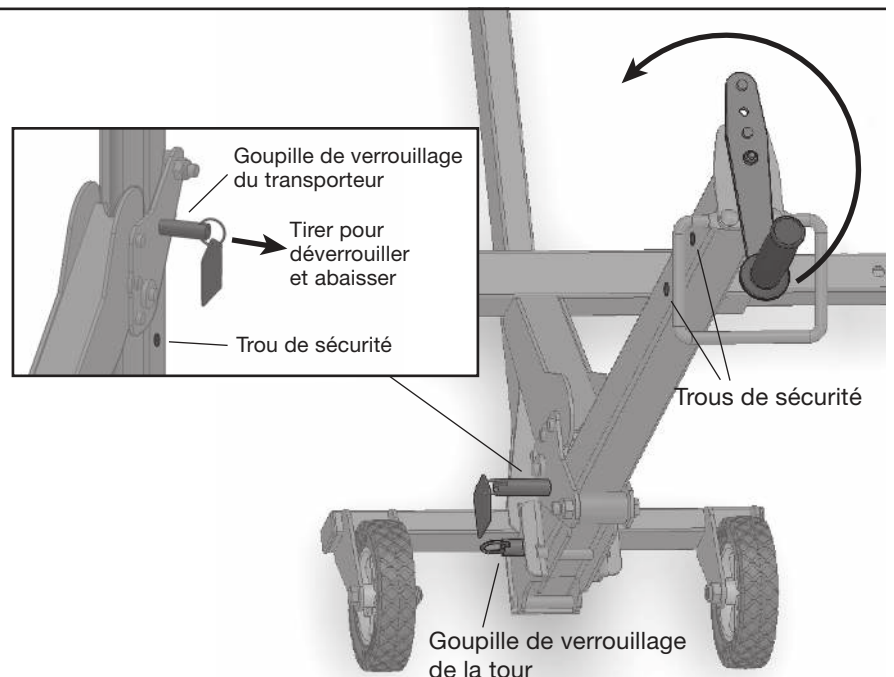
- Placez les cales de roue (non fournies) sous les roues arrière de la tondeuse.
- Appliquez maintenant le frein de stationnement sur la tondeuse.
- La goupille de verrouillage du transporteur doit être en position verrouillée dans l'un des deux trous de sécurité.



### ÉTAPE 14

#### Abaissement de la tondeuse

- Retirez les cales de roue.
- Désengagez le frein de stationnement.
- **La tondeuse doit être en position neutre.**
- Retirez et maintenez la goupille de verrouillage du transporteur et tournez la poignée de manivelle en sens anti-horaire jusqu'à ce que les appuis de roue soient fermement sur le sol. **La goupille de verrouillage du transporteur doit être tirée jusqu'à ce qu'elle dépasse le trou de sécurité.**

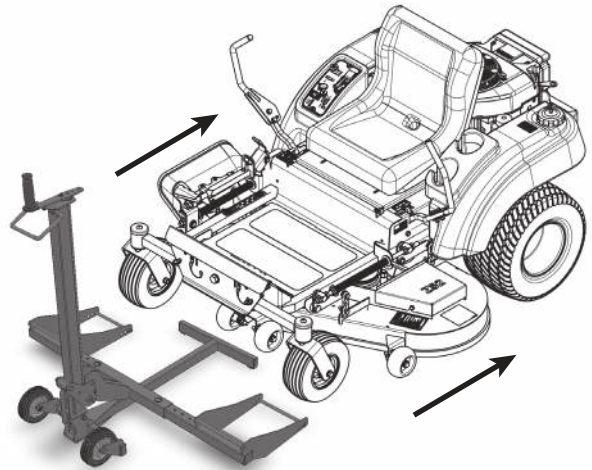


## Directives d'utilisation

### ÉTAPE 15

#### Retrait de la tondeuse du MoJack EZ

- Retirez les sangles de sécurité des roues avant de la tondeuse.
- Le retrait des tiges de soutien est facultatif pendant cette étape.
- Déplacez la tondeuse des appuis de roue en la conduisant ou en la poussant.

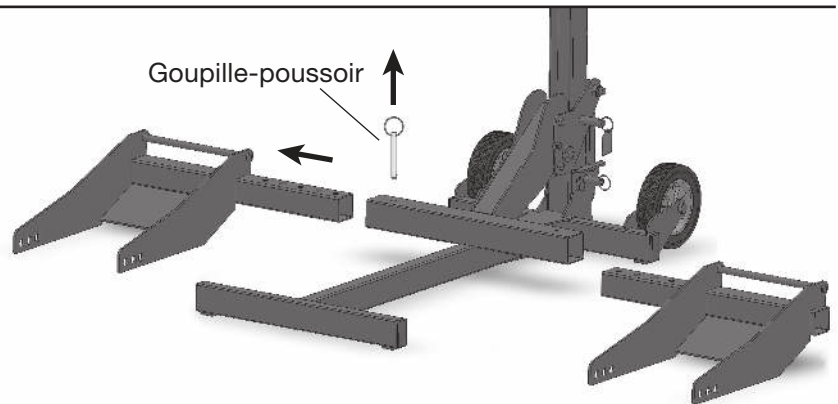


## Préparation du MoJack EZ pour l'entreposage (Étapes 16 à 18)

### ÉTAPE 16

#### Retirez les appuis de roue

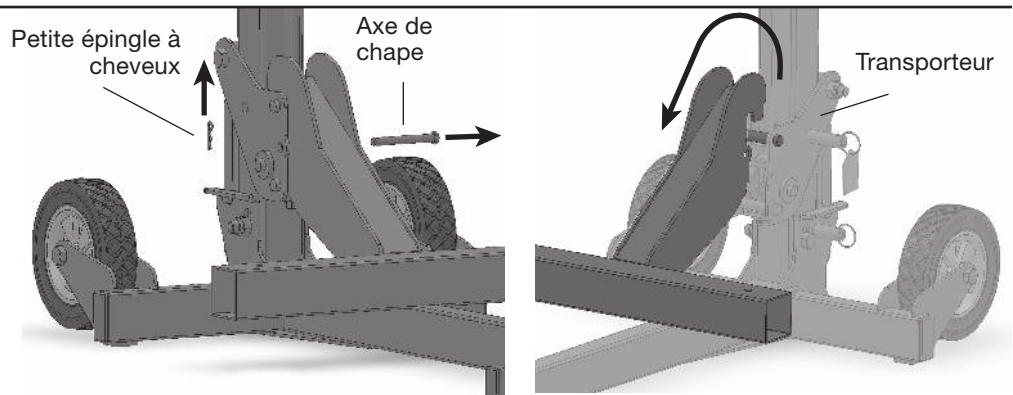
- Retirez les goupilles-poussoirs et tirez les appuis pour roue à l'extérieur du bras de levage.
- Entreposez les goupilles-poussoirs dans le bras de levage.



### ÉTAPE 17

#### Retrait du bras de levage

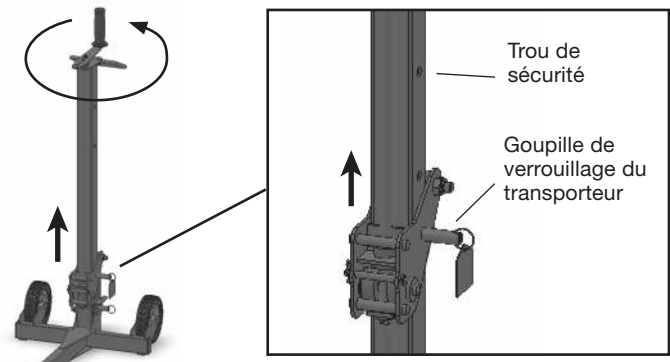
- Retirez la petite épingle à cheveux et l'axe de chape du bras de levage.
- Retirez le bras de levage du transporteur.
- Entreposez la petite épingle à cheveux et l'axe de chape dans le bras de levage.



### ÉTAPE 18

#### Soulevez le transporteur

- Soulevez le support en tournant la manivelle dans le sens horaire jusqu'à ce que le goupille de verrouillage du transporteur tombe dans les trous de sécurité.

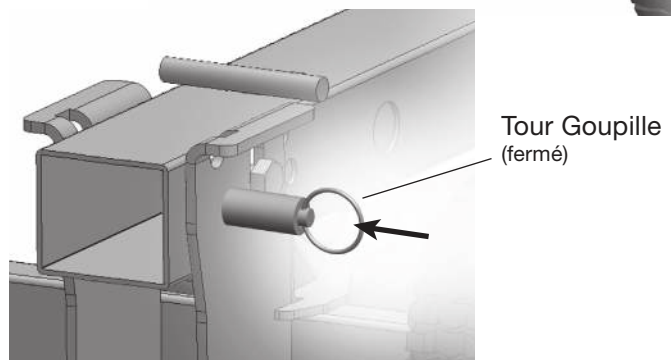
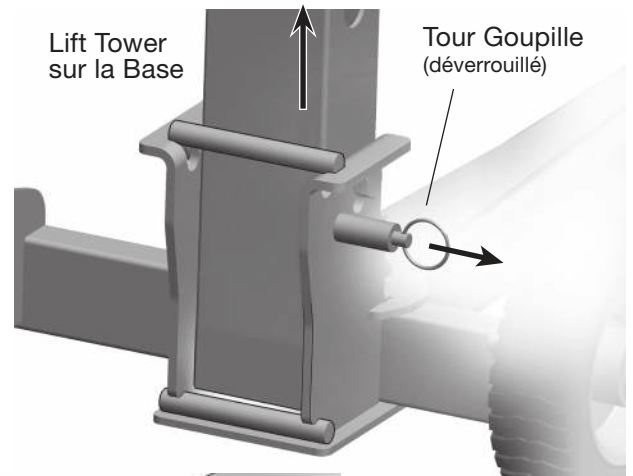
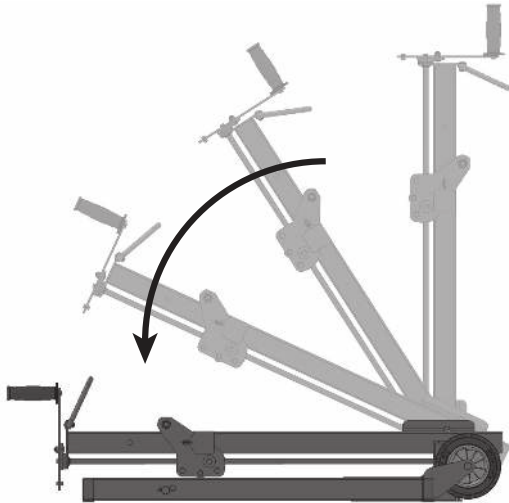


## Directives d'utilisation

### ÉTAPE 19

#### Repliement du MoJack EZ

- Tirez sur la goupille de verrouillage pour déverrouiller.
- Soulevez le Tour sur la Base en tirant sur la poignée de préhension et puis baisser le Tour.
- La tour sera bien verrouillé en place lorsque les rétracte de goupilles de verrouillage.



**LE MOJACK EZ EST MAINTENANT PRÊT POUR L'ENTREPOSAGE OU LE TRANSPORT.**

### ÉTAPE 20

#### Soulèvement du MoJack EZ avec une perceuse électrique (en option)

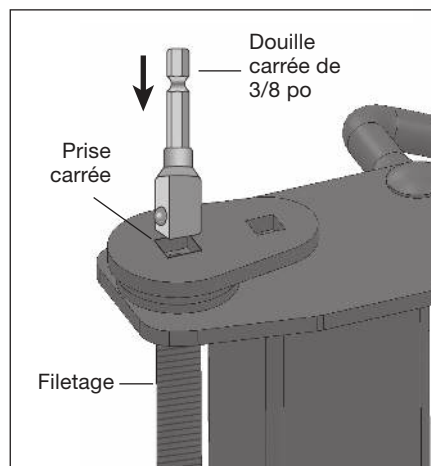
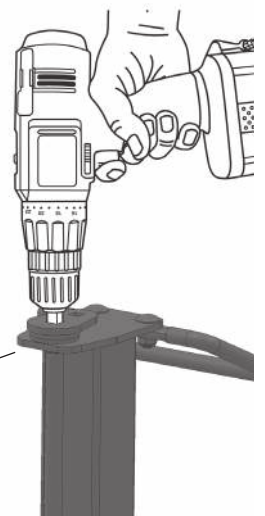
- Le MoJack EZ peut être soulevé ou abaissé à l'aide d'une perceuse électrique avec cordon à vitesse variable (minimum de 7 A) ou d'une perceuse électrique sans fil à vitesse variable (minimum de 18 V).
- La perceuse doit être munie d'une douille carrée de 3/8 po (non fournie).
- Retirez la poignée de manivelle en enlevant l'écrou et le boulon afin d'avoir accès à la prise carrée de 3/8 po.
- Insérez fermement la douille carrée de 3/8 po dans la prise carrée.

Faites tourner la perceuse vers l'avant (en sens horaire) pour soulever le bras de levage et en sens inverse (en sens anti-horaire) pour abaisser le bras de levage.

- **La goupille de verrouillage du transporteur doit être tirée lors de l'abaissement jusqu'à ce qu'elle dépasse le trou de sécurité.**

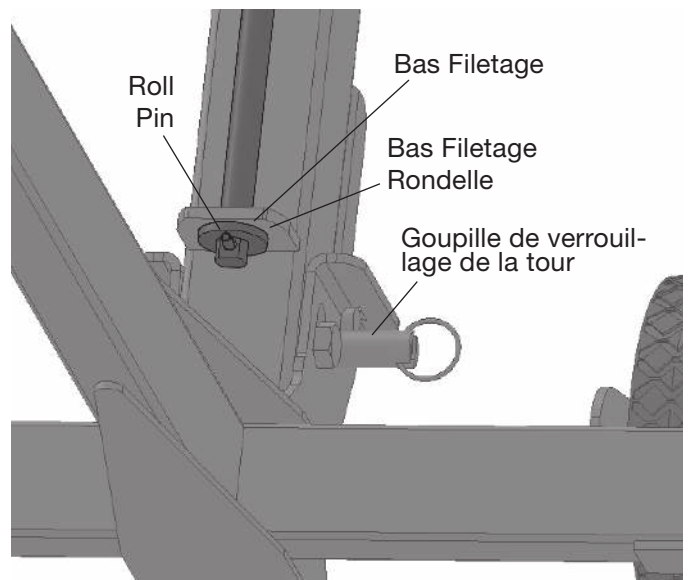
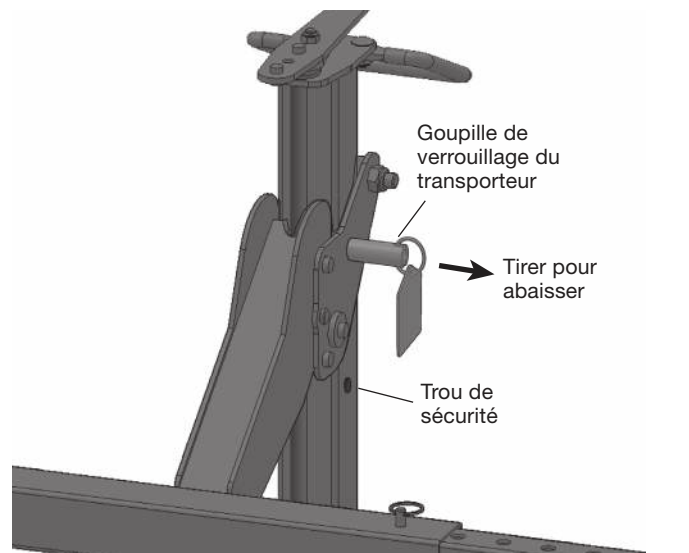
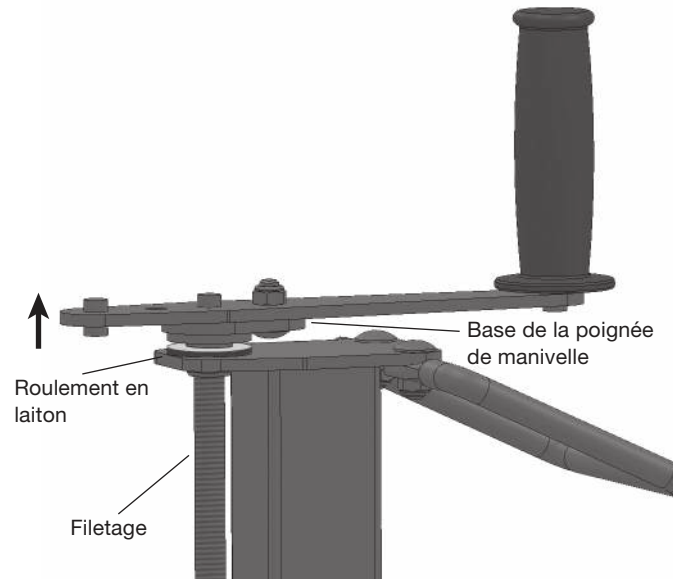
**⚠** L'opérateur doit avoir une prise ferme sur la perceuse avant de soulever ou d'abaisser le bras de levage.

- Veuillez suivre toutes les autres directives d'utilisation lorsque vous utilisez une perceuse.
- Remplacez la poignée de manivelle pour une utilisation ultérieure.

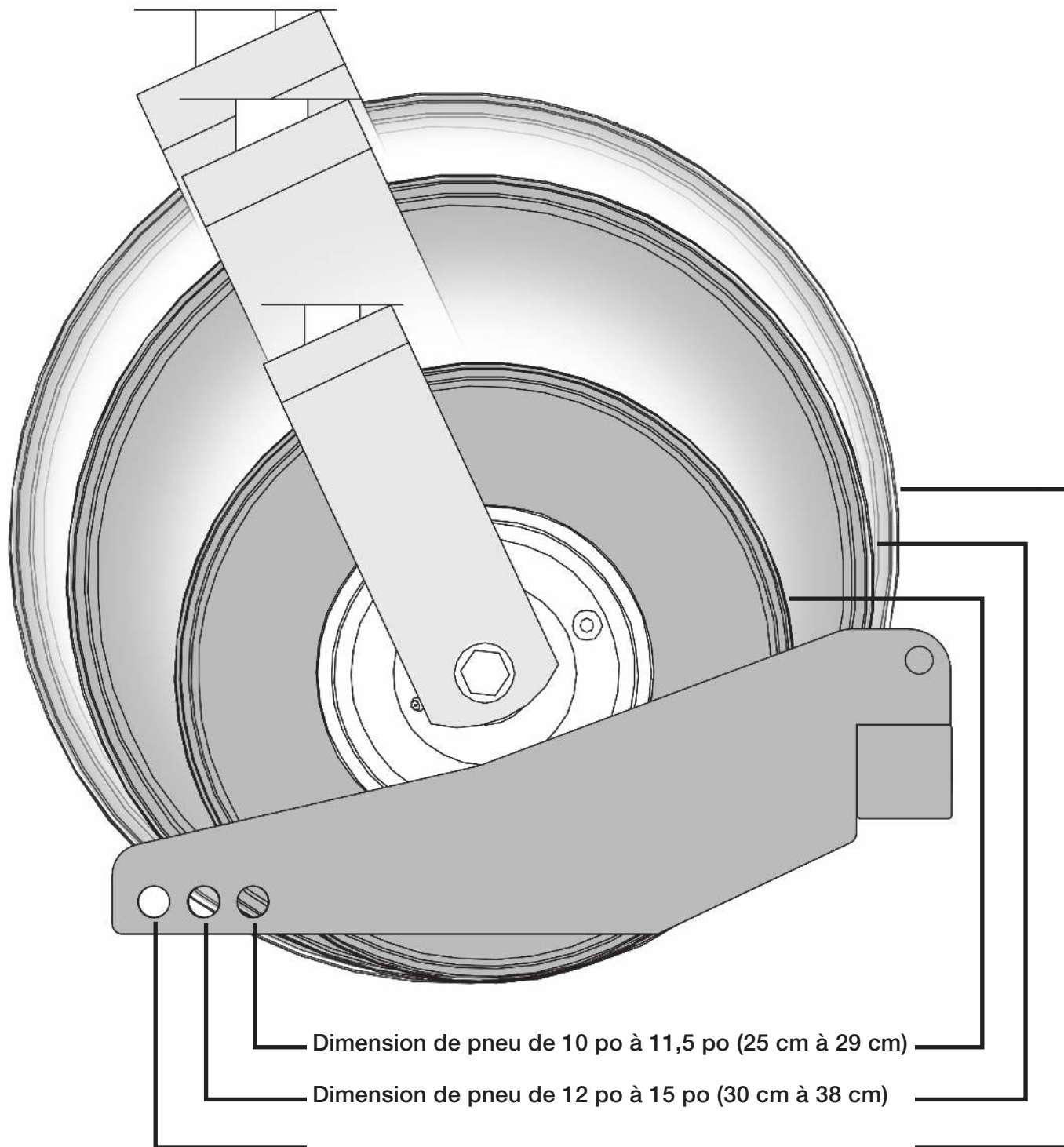


## Programme d'entretien

- Avant chaque utilisation, vérifiez toujours si les pièces sont usées, desserrées ou endommagées sur le MoJack EZ. En présence de pièces endommagées, n'utilisez pas le MoJack EZ et communiquez avec MoJack au 1-877-575-3173.
- Nettoyez et huilez le filetage toutes les 50 utilisations ou au moins une fois par année en utilisant de l'huile pour machine légère.
- Appliquez de la graisse au lithium entre la base de la poignée de manivelle et le roulement en laiton toutes les 50 utilisations ou au moins une fois par année. Sans avoir de poids sur le transporteur, soulevez la poignée de manivelle pour créer un léger espace entre le roulement de laiton et la base de la poignée de manivelle. Utilisez une petite brosse pour appliquer la graisse au lithium entre les deux surfaces.
- Appliquez de la graisse au lithium sur ou aux environs de bas Filetage et Roll Pin et Bas Filetage Rondelle après toutes les 50 utilisations ou au moins une fois par an.
- Graisse en spray ou de lubrifiant dans les trous bouton de verrouillage et la tour toutes les 50 utilisations ou au moins une fois par an.
- (Facultatif) Vérifiez le fonctionnement de la goupille de verrouillage du transporteur. Tournez la poignée de manivelle pour soulever le bras de lavage jusqu'au premier trou de sécurité et écoutez si un son est émis lorsque la goupille s'insère dans le trou. Lorsque vous entendez un son, changez la direction de la rotation de la poignée de manivelle sans tirer sur l'anneau de la goupille de verrouillage du transporteur. La goupille devrait soutenir le tablier à cette hauteur. N'appliquez pas de force sur la poignée au-delà de ce point de verrouillage car cela pourrait endommager le filetage. Si la goupille de verrouillage du transporteur ne soutient pas le tablier à la hauteur du bras de lavage, n'utilisez pas le MoJack EZ et communiquez avec MoJack au 1-877-575-3173. Après la vérification du fonctionnement de la goupille de verrouillage du transporteur, abaissez le bras de lavage en tirant sur l'anneau de la goupille de verrouillage du transporteur.



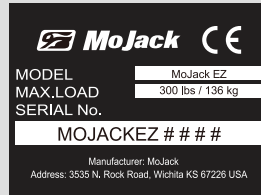
## Guide des tiges de soutien pour les dimensions de pneu



**⚠** Ne pas utiliser avec des pneus plus 17 po (44cm) dans la taille



## Einführung



Dieses Handbuch enthält Informationen über Montage, Teile, Betrieb, Wartung, Einstellung und Sicherheit Ihres MoJack EZ Hebelifts.

**LESEN SIE VOR DER VERWENDUNG IHRES MOJACK EZ DAS KOMPLETTE HANDBUCH SORGFÄLTIG DURCH.**

Wenn Sie sich an diese Gebrauchs-, Wartungs- und Sicherheitshinweise halten, verlängern Sie die Lebensdauer Ihres MoJack-Hebelifts und können das Gerät sicher betreiben.

Falls Sie weitere Informationen oder einen geschulten Servicemechaniker benötigen, kontaktieren Sie bitte Ihren autorisierten MoJack-Händler oder -Vertriebspartner.

Alle MoJack-Teile werden vor dem Verlassen des Werks sorgfältig überprüft und getestet, um alle relevanten Sicherheitsvorschriften einzuhalten.

**HINWEIS:** Bitte bewahren Sie dieses Handbuch zur zukünftigen Referenz auf.

**HINWEIS:** Position der Seriennummer des Geräts.

### Need Assistance?

Please **DO NOT** return this product to the store.

Our Customer Service Department is ready to help!  
**1-877-575-3173**

### ¿Necesita ayuda?

¡NO devuelva este producto a la tienda!

¡Nuestro Departamento de Servicio de Atención al Cliente está listo para ayudarle!  
**1-877-575-3173**

### Besoin d'assistance ?

NE renvoyez PAS ce produit au magasin.

Notre service clientèle est là pour vous aider !  
**1-877-575-3173**

### Sie brauchen Hilfe?

Bitte dieses Produkt **NICHT** an die Verkaufsstelle retournieren.

Unser Kundendienst ist Ihnen gerne behilflich!  
**1-877-575-3173**

Submit your questions online at:  
Envie sus preguntas por Internet a:

Vous pouvez également transmettre votre question en ligne à l'adresse suivante :

Übermitteln Sie Ihre Fragen online unter:

**www.theMoJack.com**

Patent #s: U.S., 8,448,920 and 8,387,953























© 2014 MoJack Distributors, LLC.

MoJack und das MoJack-Logo sind eingetragene Handelsmarken von MoJack Distributors, LLC.

MoJack EZ ist eine Handelsmarke von MoJack Distributors, LLC. Alle Rechte vorbehalten.

## Warn- und Sicherheitshinweise

---

-  Vor der Verwendung des MoJack EZ sollten Sie alle Sicherheits- und Betriebshinweise lesen und verstehen.
-  Verboten Sie einer Person, die nicht mit den Sicherheits- oder Betriebshinweisen vertraut ist, stets die Verwendung des MoJack EZ.
-  Halten Sie sich vor der Verwendung des MoJack EZ an alle Sicherheits- und Servicehinweise des Rasenmäherherstellers.
-  Der MoJack darf nicht auf irgendeine Art und Weise modifiziert werden. Alle Änderungen führen zum Erlöschen sämtlicher Garantien und könnten Ihre Sicherheit gefährden.
-  Bei der Verwendung des MoJack EZ müssen ALLE Personen in der Umgebung einen Sicherheitsabstand zum MoJack EZ einhalten.
-  Der MoJack EZ muss auf einer stabilen ebenen Fläche verwendet werden.
-  Das hintere und vordere Ende des Rasenmähers nicht gleichzeitig hochheben.
-  Verwenden Sie den MoJack EZ-Hebelift zu keinem anderen Zweck als zum Hochheben eines Rasenmähers, sofern kein ordnungsgemäßes Zubehör verwendet wird.
-  Bevor Sie eine Arbeit am Rasenmäher aufnehmen, immer den Motor abschalten und den Schlüssel abziehen.
-  Während der Verwendung des MoJack EZ niemals Arbeiten am Motor durchführen.
-  Das maximal zulässige Hubgewicht von 136 kg darf nicht überschritten werden.
-  Wenn sich die MoJack EZ Säule beim Heben oder Senken des Rasenmähers zur Seite neigt, weist dies auf eine Überlastung hin. In diesem Fall den Rasenmäher sofort vom Gerät entfernen.
-  Vor der Verwendung des MoJack EZ muss die Säule mit dem zugehörigen Sicherungsstift arretiert werden.
-  Vor der Durchführung von Wartungsarbeiten am Rasenmäher muss der Sicherungsstift des Trägers in die Säule eingesetzt werden.
-  Nicht die Sicherheitshinweise oder Aufkleber vom MoJack EZ entfernen.
-  Vor jedem Gebrauch den MoJack EZ auf abgenutzte, lose oder beschädigte Teile überprüfen. Falls Teile beschädigt sind, den MoJack EZ nicht verwenden, sondern MoJack unter der Nummer 1-877-575-3173 kontaktieren.
-  Während der Rasenmäher angehoben ist bzw. beim Hochheben oder Senken des Rasenmähers nicht auf den Rasenmäher klettern.
-  Während der Rasenmäher angehoben ist bzw. beim Hochheben oder Senken des Rasenmähers darf sich keine Person auf dem Rasenmäher befinden.
-  Nach Hochheben des Rasenmähers auf Arbeitshöhe stets Unterlegkeile (nicht im Lieferumfang enthalten) unter die Hinterräder des Rasenmähers schieben.
-  Aus Gründen des Gleichgewichts müssen die Radstützen gleich weit vom Hubarm entfernt sein.
-  Vor der Verwendung des MoJack EZ sämtliches Zubehör vom Rasenmäher entfernen.
-  Die Nichteinhaltung dieser Anweisungen kann zu Sachschäden und schwerer Körperverletzung bis hin zu Tod führen.

**WICHTIG:** Der MoJack EZ eignet sich nur für den Gebrauch mit Aufsitzmähern und Rasenmähertraktoren. Das Lastgewicht darf 136 kg nicht übersteigen. Der Hebelift darf niemals zur Instandhaltung von anderen Gerätearten verwendet werden, außer es ist ein zugelassenes MoJack-Zubehör für die jeweilige Art von Maschine erhältlich. Bitte wenden Sie sich an Ihren lokalen MoJack-Händler oder -Vertriebspartner.

# Garantie und Rücksendungen

---

## BESCHRÄNKTE GARANTIE

MoJack gewährleistet bei ordnungsgemäßer Nutzung des Produkts für die Dauer von zwei Jahren bei Privatnutzung und für die Dauer von einem Jahr bei gewerblicher Nutzung, dass das Produkt frei von Material- oder Arbeitsmängeln ist. Alle mangelhaften Teile werden von MoJack kostenlos ersetzt. Diese Garantie erstreckt sich nicht auf ein Produkt, das geändert oder angepasst bzw. missbräuchlich verwendet oder übermäßig beansprucht wurde. **DIES IST DAS ALLEINIGE UND AUSSCHLIESSLICHE RECHTSMITTEL DES KUNDEN. MOJACK SCHLIESST ALLE STILLSCHWEIGENDEN GARANTIEEN AUS, U. A. DIE GARANTIE DER MARKTGÄNGIGKEIT UND EIGNUNG ZU EINEM BESTIMMTEN ZWECK. MOJACK HAFTET NICHT FÜR ZUFÄLLIGE ODER FOLGESCHÄDEN. EINIGE LÄNDER ODER STAATEN VERBIETEN DEN AUSSCHLUSS ODER DIE BESCHRÄNKUNG DER STILLSCHWEIGENDEN GARANTIEEN ODER DER RECHTSMITTEL, DIE AUFGRUND DES VERSTOSSES GEGEN STILLSCHWEIGENDE GARANTIEEN ERGRIFFEN WERDEN KÖNNEN. DAHER KANN ES SEIN, DASS DIESE AUSSCHLÜSSE AUF SIE NICHT ZUTREFFEN. AUFGRUND DIESER BESCHRÄNKTEN GARANTIE HABEN SIE BESTIMMTE RECHTE. MÖGLICHERWEISE HABEN SIE AUCH ANDERE RECHTE, DIE SICH JEDOCH VON LAND ZU LAND ODER VON STAAT ZU STAAT UNTERSCHIEDEN KÖNNEN**

## Was umfasst diese Garantie?

Diese Garantie gilt für Material- oder Arbeitsmängel, und zwar für die Dauer von zwei Jahren ab Kaufdatum im Falle der Privatnutzung und für die Dauer von einem Jahr ab Kaufdatum bei gewerblicher Nutzung.

## Was umfasst diese Garantie NICHT?

Diese Garantie gilt nicht für ein MoJack-Gerät, das auf irgendeine Art und Weise geändert oder angepasst wurde.

Sie schließt jedes MoJack-Gerät aus, das aufgrund von missbräuchlicher Verwendung, übermäßiger Beanspruchung, Unfall oder Fahrlässigkeit beschädigt wurde. Diese Garantie erstreckt sich nicht auf zufällige oder Folgeschäden.

## Wie ist die Garantiedauer?

Für den Erstkäufer gilt ab dem Kaufdatum eine Garantie von zwei Jahren bei Privatnutzung bzw. ein Jahr bei gewerblicher Nutzung.

## Welche Maßnahmen wird MoJack zur Problemlösung ergreifen?

Wir werden jedes fehlerhafte Teil (innerhalb der Garantiedauer) kostenlos tauschen.

## Wie kann ich eine Serviceleistung in Anspruch nehmen?

Um den Kundenservice im Rahmen dieser Garantie in Anspruch zu nehmen, MÜSSEN Sie Ihr MoJack-Gerät innerhalb von dreißig (30) Tagen ab Kaufdatum registrieren. Bitte bewahren Sie als Beweis für das Kaufdatum unbedingt den Kaufbeleg auf. Sie können Ihren neuen MoJack auf unserer Website unter [www.themojack.com](http://www.themojack.com) oder telefonisch unter unserer gebührenfreien Telefonnummer 1-877-575-3173 registrieren.

## Wie kann ich MoJack bei einem Garantiefall kontaktieren?

Sie können uns über unsere Website unter [www.themojack.com](http://www.themojack.com) oder telefonisch unter unserer gebührenfreien Telefonnummer 1-877-575-3173 kontaktieren.

## Habe ich auch andere Rechte aufgrund der Gesetze meines Landes?

Aufgrund dieser Garantie haben Sie bestimmte Rechte. Möglicherweise haben Sie auch andere Rechte, die sich jedoch von Land zu Land unterscheiden können.

## Wie lautet die Rückgabepolitik?

Innerhalb von dreißig (30) Tagen ab dem Datum, an dem Sie Ihren MoJack erhalten. Bitte kontaktieren Sie MoJack unter unserer gebührenfreien Rufnummer 1-877-575-3173 oder per E-Mail unter [info@themojack.com](mailto:info@themojack.com) für Informationen über unsere Rückgabegerichtlinien.

## Wie gebe ich ein Produkt zurück?

Kontaktieren Sie uns innerhalb des Rückgabezeitraums. Daraufhin erhalten Sie ein Etikett mit einer Rücksendenummer (RMA), das Sie außen an der Verpackung anbringen. Alle Waren müssen in ihrer Originalverpackung retourniert werden. Danach veranlassen wir die Abholung des MoJack durch ein nationales Transportunternehmen.

## In welcher Form erhalte ich den Kaufbetrag zurück?

Dies liegt in unserem Ermessen. Im Falle einer Rückerstattung dauert es vier Wochen, bis der Betrag Ihrem Konto gutgeschrieben wird. Die Servicegebühr für die Rücksendung wird vom Rückerstattungsbetrag abgezogen.

## Werden auch Versandkosten zurückerstattet?

Nein.

## Verrechnet MoJack Servicegebühren für eine Rücksendung?

Ja. Rücksendungen und Rückerstattungen bedeuten für uns einen zusätzlichen Arbeitsaufwand. Da wir diese Kosten nicht durch höhere Produktpreise an den Kunden weitergeben wollen, halten wir uns an die branchenüblichen Bedingungen und stellen im Falle einer Rücksendung eine Servicegebühr in Rechnung. Diese Gebühr beträgt 20 %.

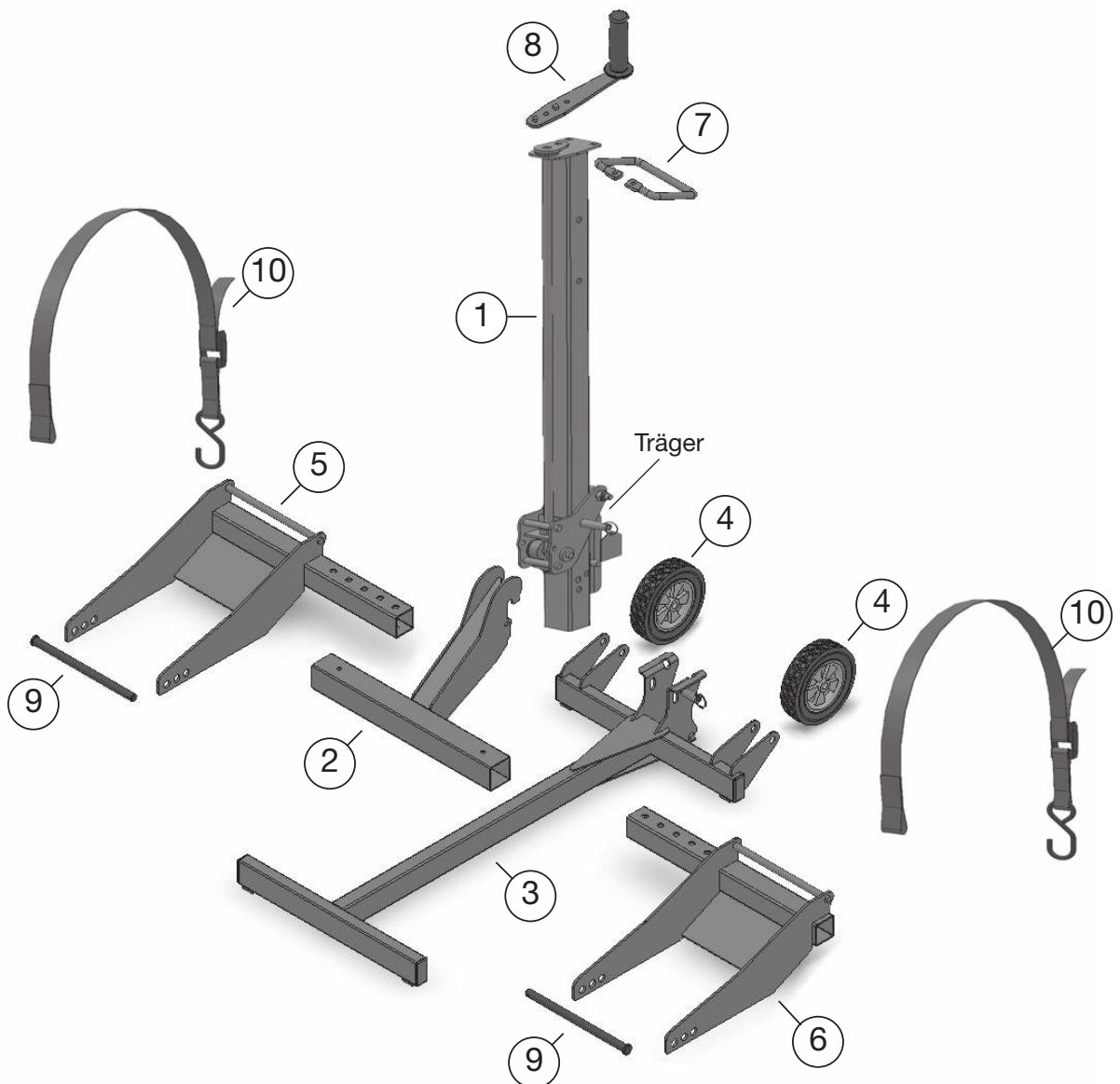
## Wie kann ich MoJack kontaktieren?

Rufen Sie unsere gebührenfreie Nummer 1-877-575-3173 oder senden Sie eine E-Mail an [aninfo@themojack.com](mailto:aninfo@themojack.com).

## Teileliste

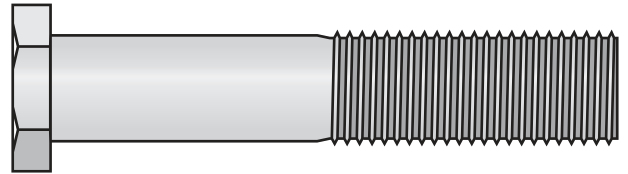
Teil Nr.	Stk.	Bezeichnung
①	1	Säule
②	1	Hubarm
③	1	Basisteil
④	2	Rad
⑤	1	Radstütze, RH

Teil Nr.	Stk.	Bezeichnung
⑥	1	Radstütze, LH
⑦	1	Griff
⑧	1	Handkurbel
⑨	2	Traghalterung
⑩	2	Sicherheitsriemen

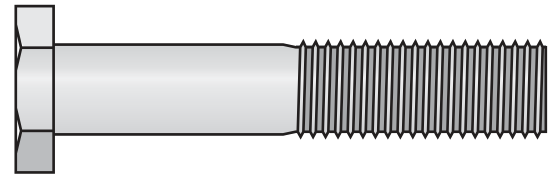


## Liste mit Montageteilen

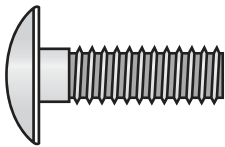
Teil Nr.	Stk.	Bezeichnung
⑪	1	Sechskantschraube M12 - 1,75 X 80
⑫	2	Sechskantschraube M12 - 1,75 X 65
⑬	3	Schlossschraube M8 - 1,25 X 20
⑭	3	Sicherungsmutter – M12 - 1,75
⑮	3	Sicherungsmutter – M8 - 1,25
⑯	2	Sicherungsbolzen
⑰	1	Lagerbolzen
⑱	1	Kleiner Federstecker
⑲	2	Großer Federstecker



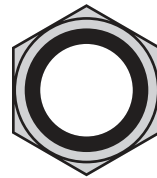
⑪ Sechskantschraube M12 - 1,75 X 80



⑫ Sechskantschraube M12 - 1,75 X 65



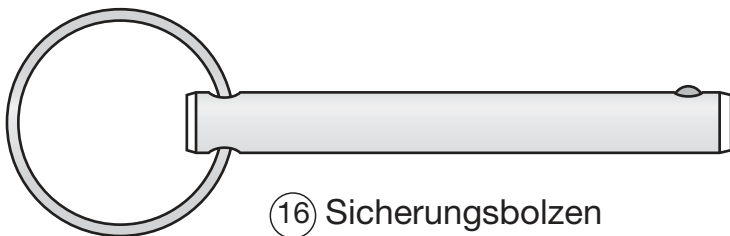
⑬ Schlossschraube  
M8 - 1,25 X 20



⑭ Sicherungsmutter –  
M12 - 1,75



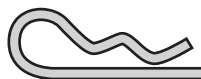
⑮ Sicherungsmutter –  
M8 - 1,25



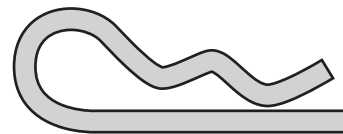
⑯ Sicherungsbolzen



⑰ Lagerbolzen

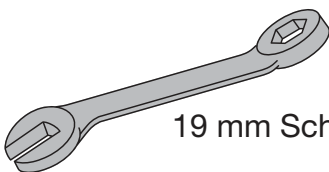


⑱ Kleiner Federstecker

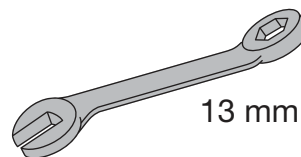


⑲ Großer Federstecker

## Erforderliche Werkzeuge für Montage



19 mm Schraubenschlüssel (2)



13 mm Schraubenschlüssel (1)

# Montageanleitung

## SCHRITT 1

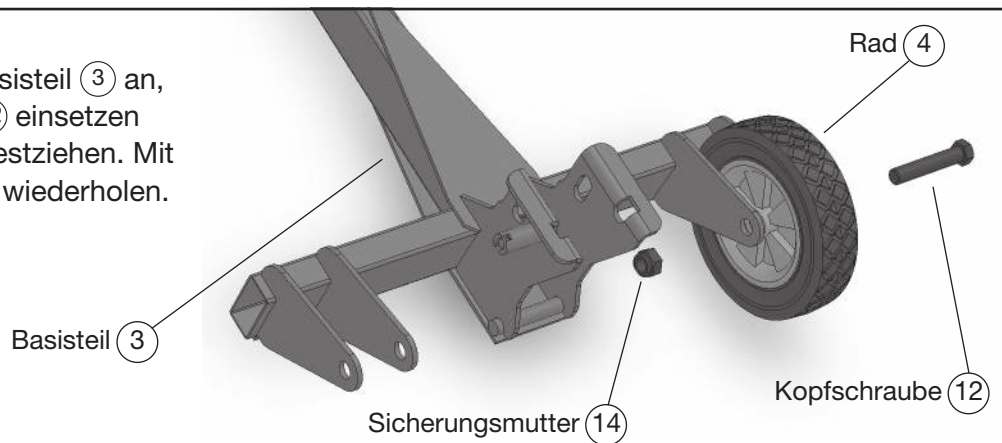
Nehmen Sie den MoJack EZ aus der Verpackung.  
Überprüfen Sie, ob alle Teile und Montageteile im Lieferumfang enthalten sind. Im Falle von fehlenden Teilen oder Montageteilen kontaktieren Sie MoJack unter 1-877-575-3173 oder senden Sie uns eine E-Mail an [parts@themojack.com](mailto:parts@themojack.com).



## SCHRITT 2

Bringen Sie das Rad (4) am Basisteil (3) an, indem Sie die Kopfschraube (12) einsetzen und die Sicherungsmutter (14) festziehen. Mit dem zweiten Rad den Vorgang wiederholen.

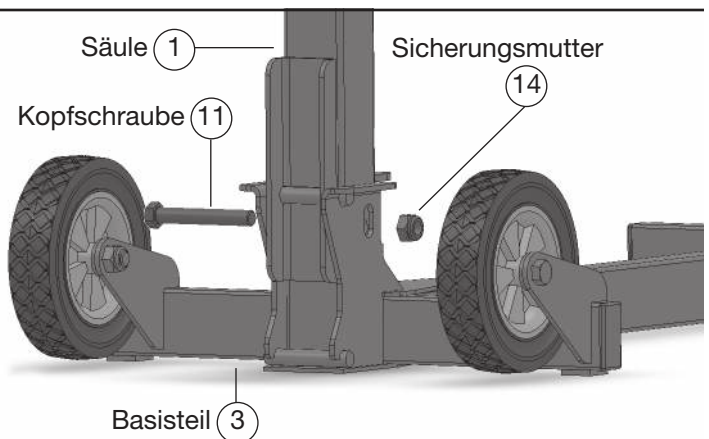
**Hinweis:** Die Sicherungsmutter nicht zu fest anziehen.



## SCHRITT 3

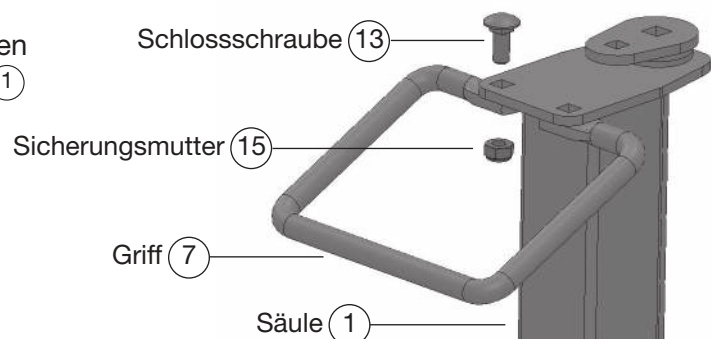
Schrauben Sie die Säule (1) mit der Kopfschraube (11) und der Sicherungsmutter (14) am Basisteil (3) fest (siehe Abbildung).

**Hinweis:** Die Sicherungsmutter nicht zu fest anziehen.



## SCHRITT 4

Bringen Sie den Griff (7) mit zwei Schlossschrauben (13) und zwei Sicherungsmuttern (15) an der Säule (1) an.

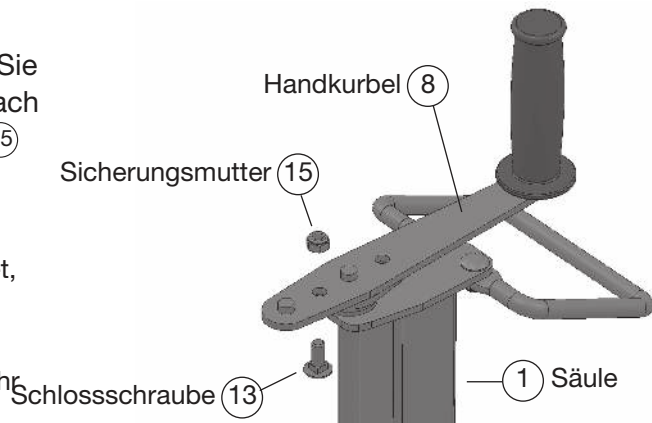


# Montageanleitung

## SCHRITT 5

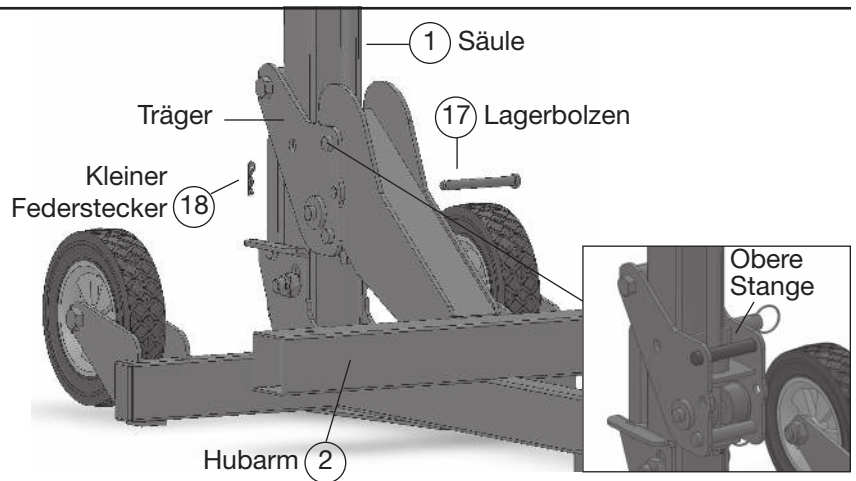
Montieren Sie den Griff (8) an der Säule (1). Setzen Sie hierfür die Schlossschraube (13) mit dem Gewinde nach oben ein und schrauben Sie die Sicherungsmutter (15) fest.

**Hinweis:** An der Handkurbel befinden sich zwei Löcher. Das Loch, das sich am nächsten zum Gummigriff befindet, hat einen Durchmesser von 15 cm zum Kurbeln. Das andere Loch hat einen Durchmesser von 20 cm für einfacheres Kurbeln. Verwenden Sie jenes Loch, das für Ihr Rasenmähermodell am besten geeignet ist.



## SCHRITT 6

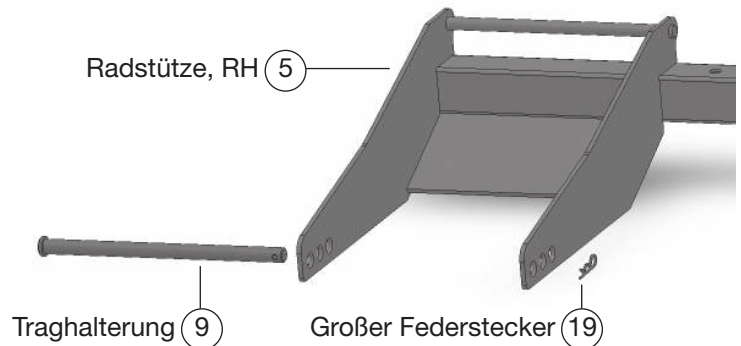
Hängen Sie den Hubarm (2) auf den Träger. Haken Sie hierfür den Hubarmteil mit den Lochbohrungen an der oberen Stange des Trägers ein. Setzen Sie den Lagerbolzen (17) in die Lochbohrung des Trägers ein und bringen Sie zur Sicherung den kleinen Federstecker (18) am Lagerbolzen an.



## SCHRITT 7

Bereiten Sie die Radstützen (5) & (6) für die Montage vor, indem Sie die Traghalterungen (9) und die großen Federstecker (19) anbringen.

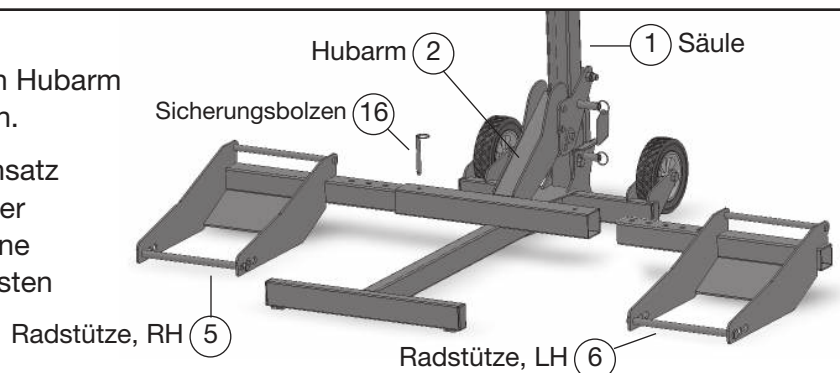
**Hinweis:** Die Traghalterungen können so angepasst werden, dass sie für verschiedene Radgrößen geeignet sind (siehe Leitfaden für Anpassung der Traghalterung an Radgröße auf Seite 18). Verwenden Sie jenes Loch, das für Ihr Rasenmähermodell am besten geeignet ist.



## SCHRITT 8

Schieben Sie die Radstützen (5) & (6) in den Hubarm (2). Setzen Sie zwei Sicherungsbolzen (16) ein.

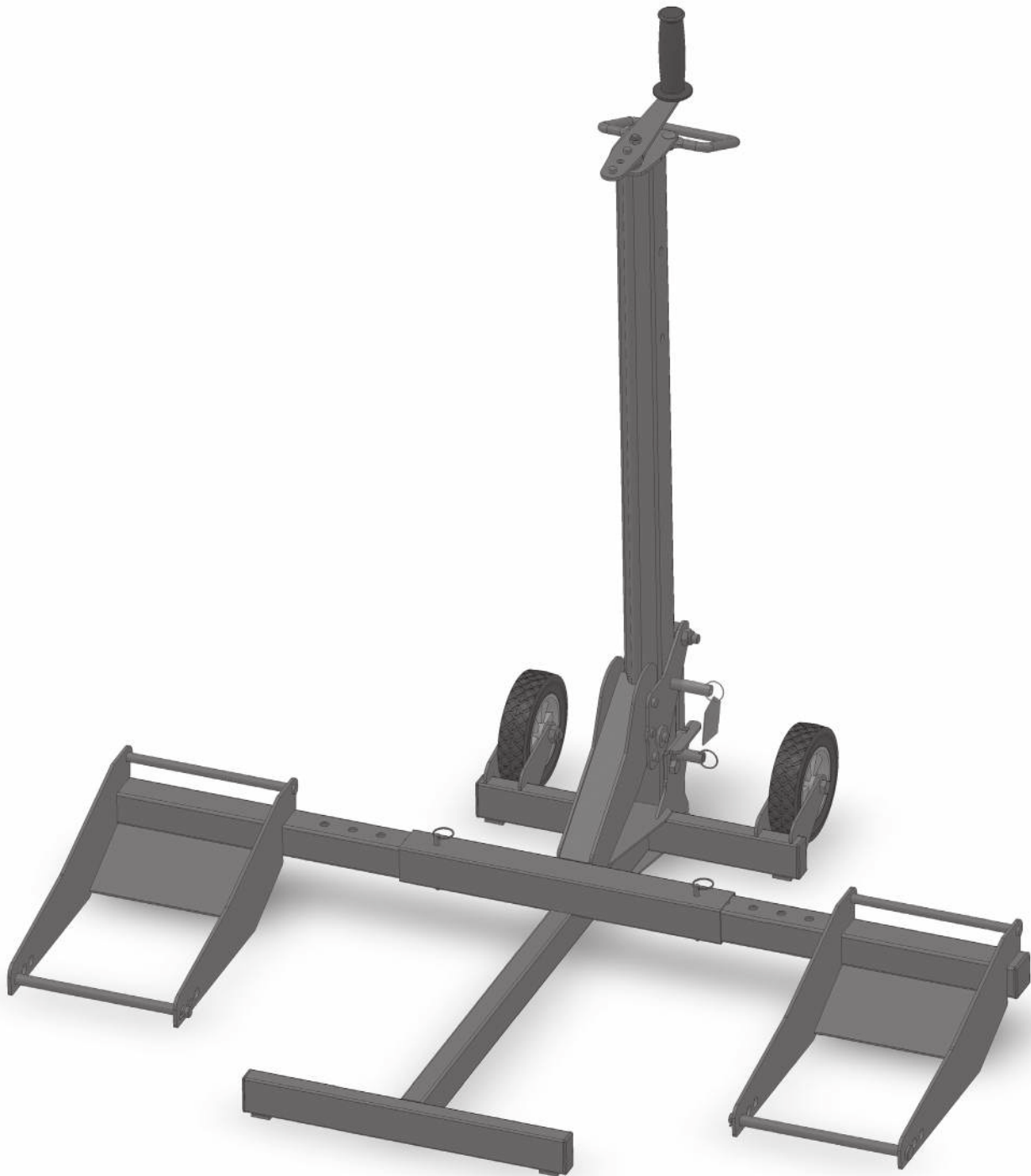
**Hinweis:** Die Radstützen können für den Einsatz mit verschiedenen Mäherbreiten heraus- oder hineingeschoben werden. Verwenden Sie jene Breite, die für Ihr Rasenmähermodell am besten geeignet ist.




**NUN IST DIE MONTAGE ABGESCHLOSSEN.**

## Gebrauchsanleitung

**Einige Schritte der Gebrauchsanleitung sind mit jenen der Montageanleitung identisch. In der Gebrauchsanleitung wird ein ganzer Arbeitszyklus des MoJack EZ erklärt.**



 Lesen Sie vor der Verwendung des MoJack EZ das komplette Handbuch sorgfältig durch.

# Gebrauchsanleitung

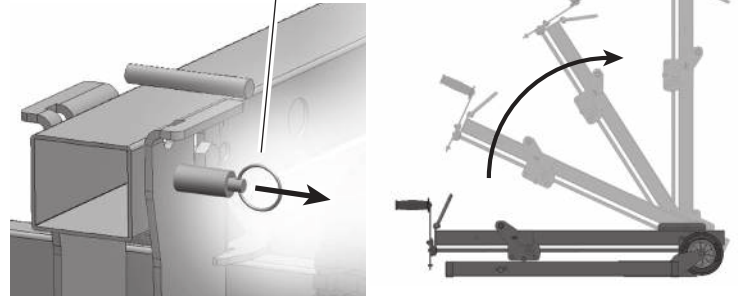
## Den MoJack EZ für den Gebrauch vorbereiten (Schritte 1 - 7)

### SCHRITT 1

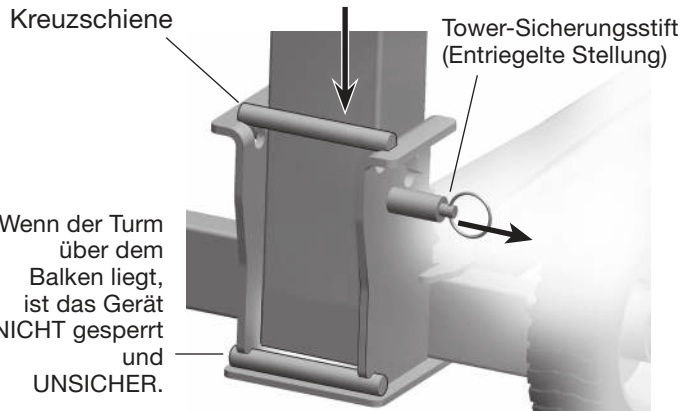
#### MoJack EZ aufklappen

- Ziehen Sie den Sicherungsstift heraus, um ihn zu entriegeln.
- Heben Sie den Turm an, indem Sie den Griff anheben. Sobald der Turm in der vertikalen Position ist, heben Sie oben auf dem Griff-Handgriff an und lassen Sie den Turm in die Unterseite fallen.
- Der Turm wird sicher verriegelt, wenn der Verriegelungsstift zurückgezogen wird und der Turm im Kanal hinter der Querlatte fest sitzt.

Tower-Sicherungsstift  
(Entriegelte Stellung)

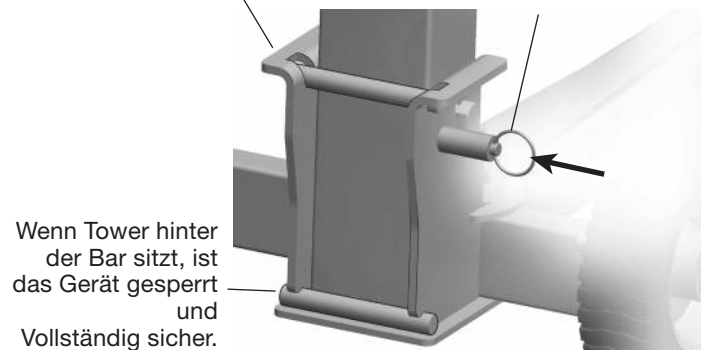


Drop Tower in der Basis



Kreuzschiene  
Kanal

Tower-Sicherungsstift  
(Verriegelte Position)



### SCHRITT 2

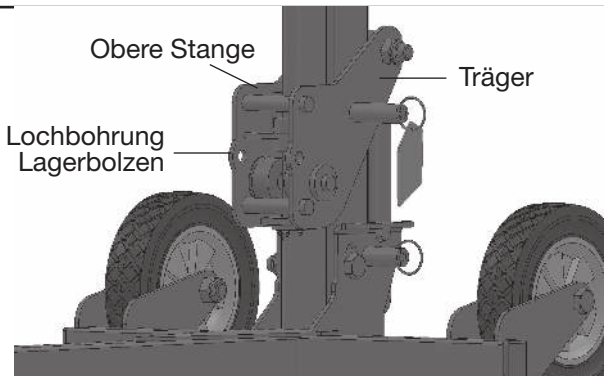
#### Hubarm montieren

- Hängen Sie den Hubarm auf den Träger. Haken Sie hierfür den Hubarmteil mit den Lochbohrungen an der oberen Stange des Trägers ein.
- Setzen Sie den Lagerbolzen in die Lochbohrung des Trägers ein bringen Sie zur Sicherung den kleinen Federstecker am Lagerbolzen an.

Obere Stange

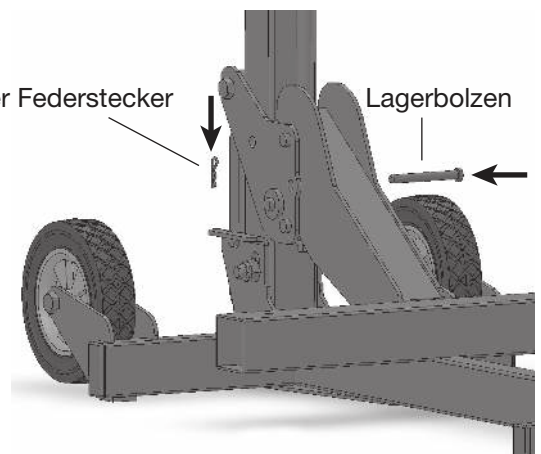
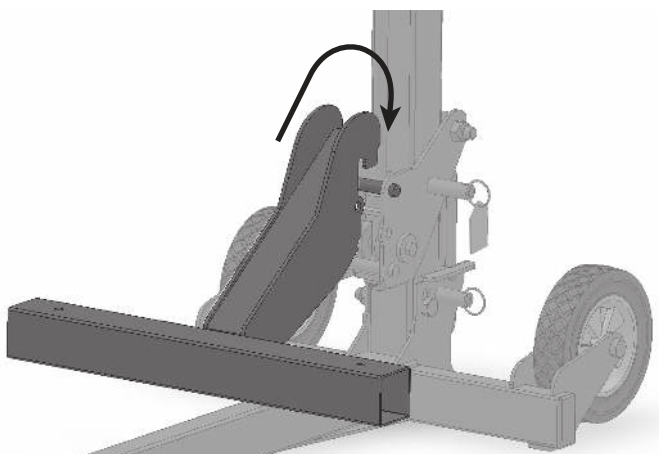
Träger

Lochbohrung  
Lagerbolzen



Kleiner Federstecker

Lagerbolzen

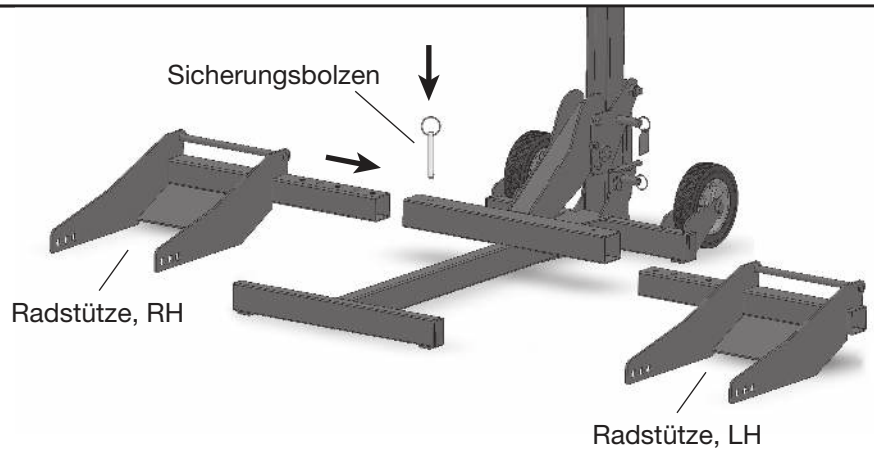


## Gebrauchsanleitung

### SCHRITT 3

#### Radstützen montieren

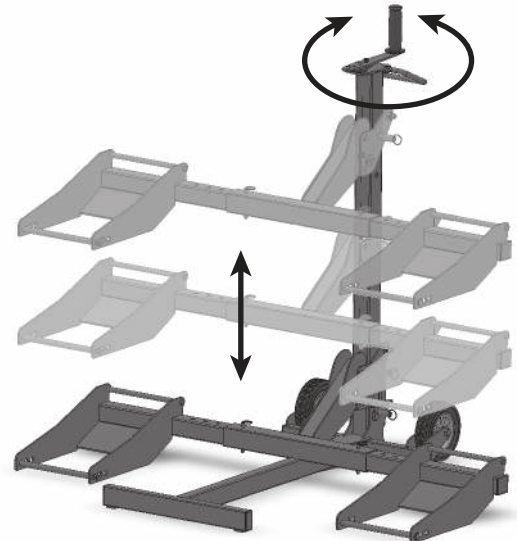
- Schieben Sie die Radstützen in den Hubarm und sichern Sie sie vorübergehend mit Sicherungsbolzen.



### SCHRITT 4

#### Machen Sie sich mit dem MoJack EZ vertraut

- Bevor Sie versuchen, den Rasenmäher hochzuheben, sollten Sie ein paar Mal den Hubarm anheben und senken (siehe Schritte 11 - 14 für das Anheben und Senken des Hubarms).
- Führen Sie Schritt 19 aus, wenn Sie den Rasenmäher mit Hilfe einer Bohrmaschine hochheben oder senken wollen.

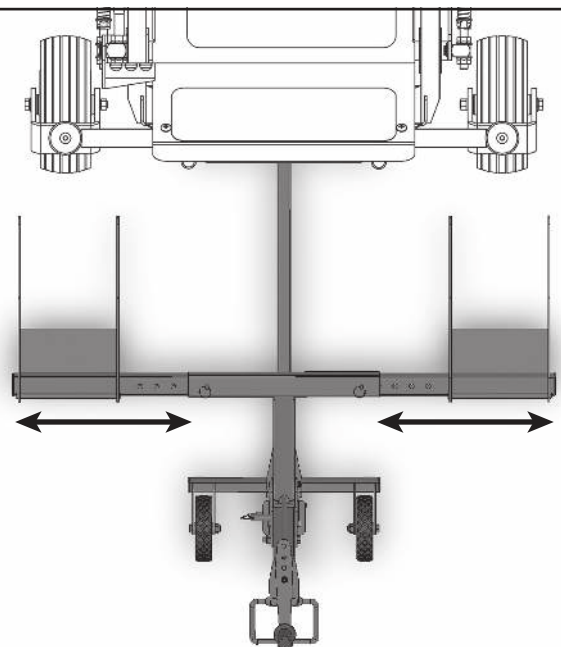


### SCHRITT 5

#### Radstützen an den Rasenmäher anpassen

- Schieben Sie die Vorderräder eines Rasenmähers mit einer Radgröße von 6" vor bis zu den Radstützen.
- Entfernen Sie die Sicherungsbolzen und richten Sie die Radstützen so aus, dass sich die vorderen Räder des Rasenmähers mittig vor den Radstützen befinden.
- Entfernen Sie die Sicherungsbolzen, um die Radstützen am Hubarm zu fixieren.

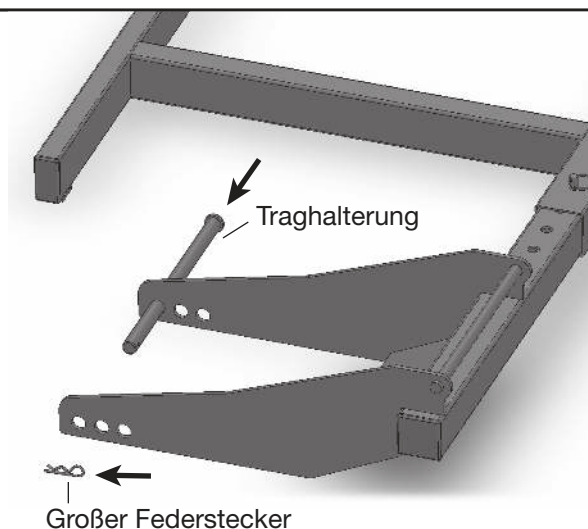
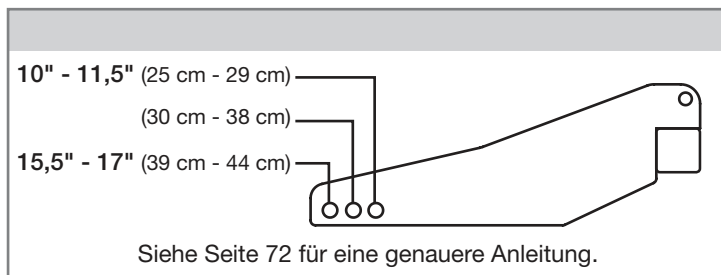
- ⚠ Aus Gründen des Gleichgewichts müssen die Radstützen gleich weit vom Hubarm entfernt sein.



## Gebrauchsanleitung

### SCHRITT 6

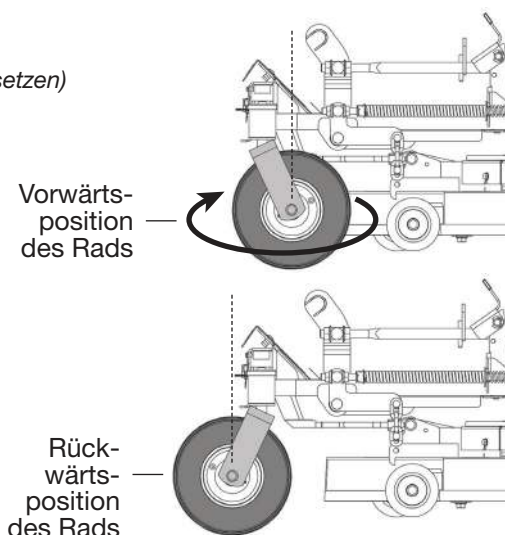
- Richten Sie die Traghalterung an den Radstützen so aus, dass Sie für die Radgröße des Rasenmähers passen. Siehe nachfolgende Tabelle für richtige Position der Traghalterung, die vom Durchmesser der Rasenmäher-Vorderräder abhängt.
- Fixieren Sie die Traghalterung mit den großen Federsteckern an den Radstützen.



### SCHRITT 7

**Vorderräder des Rasenmähers umdrehen** (optional – ansonsten mit Schritt 8 fortsetzen)

- In einigen Fällen können das Mähdeck oder die Stützräder eines Rasenmähers beim Hochheben den Hubarm berühren. Das ist oftmals der Fall, wenn ein Teil des Decks (einschl. der Stützräder) zu weit über die Vorderradmitte des Rasenmähers hinausragt.
- Drehen Sie in solch einem Fall die Vorderräder um 180 ° nach hinten in die entgegengesetzte Richtung.
- Nehmen Sie die Traghalterung von den Radstützen ab und schieben Sie den MoJack EZ unter den Rasenmäher.
- Fixieren Sie die Traghalterung mit den großen Federsteckern an den Radstützen.

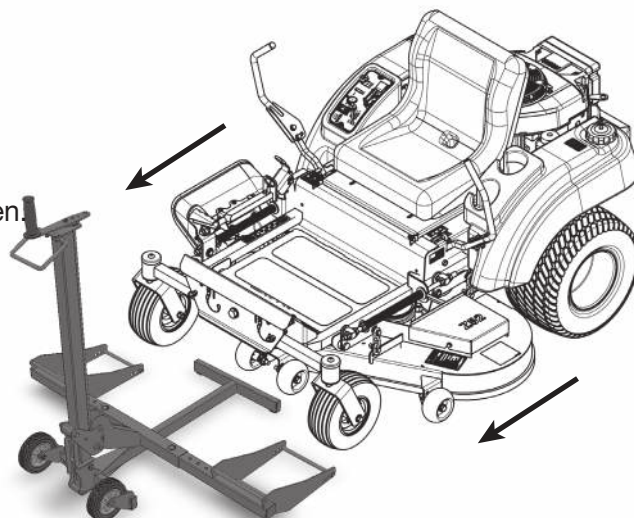


## Den MoJack EZ verwenden (Schritte 8 - 15)

### SCHRITT 8

**Rasenmäher auf den MoJack EZ schieben**

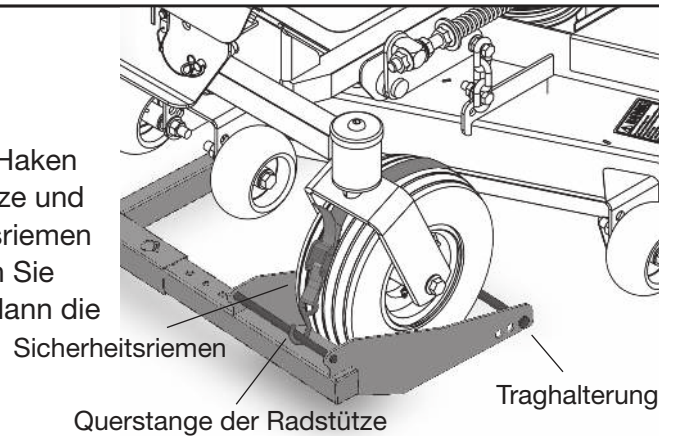
- ⚠ Der MoJack EZ muss auf einer stabilen ebenen Fläche verwendet werden.
- Fahren oder schieben Sie den Rasenmäher auf die Radstützen.
- ⚠ Nun Motor ausschalten und Schlüssel abziehen.



## Gebrauchsanleitung

### SCHRITT 9

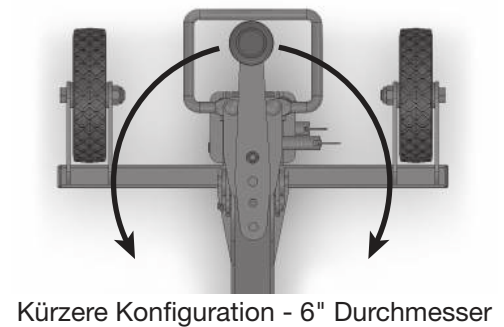
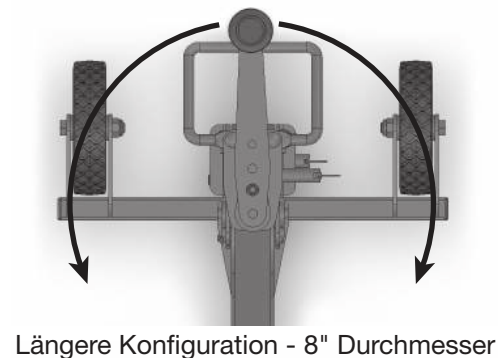
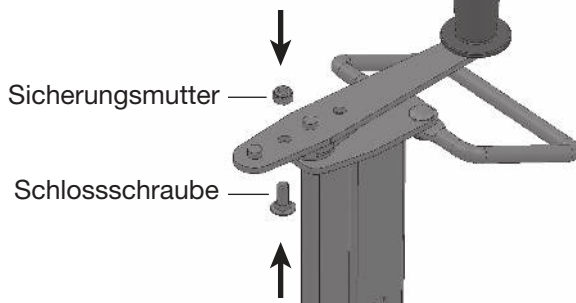
- Fixieren Sie die Vorderräder des Rasenmähers mit dem Sicherheitsriemen an den Radstützen ⑩. Führen Sie den Haken des Sicherheitsriemens durch die Querstange der Radstütze und setzen Sie die Traghalterung in die Öffnung am Sicherheitsriemen ein. Nehmen Sie hierfür die Traghalterung ab und schieben Sie die Öffnung des Sicherheitsriemens darüber. Bringen Sie dann die Traghalterung wieder an.
- Ziehen Sie die Sicherheitsriemen an den Rädern fest und fixieren Sie so den Rasenmäher an den Radstützen.



### SCHRITT 10

#### Handkurbel anpassen (optional)

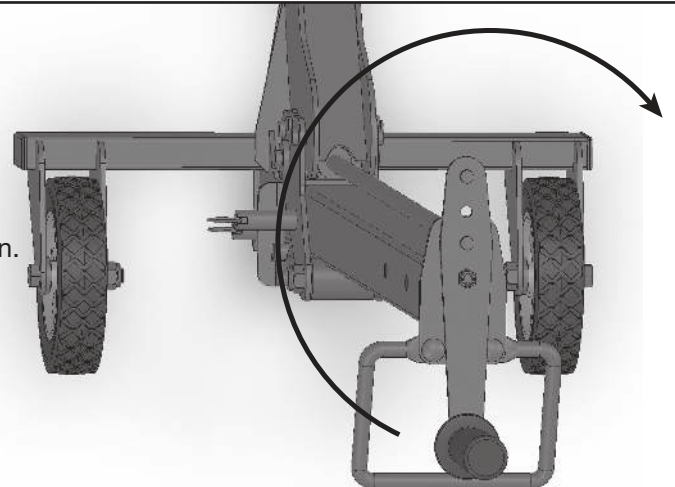
- In der längeren Konfiguration hat die Handkurbel die optimale Wirkung. Einige Rasenmäher verfügen jedoch über einen Stoßstange oder eine größere Motorhaube, die bei einer längeren Handkurbel hinderlich sind. Daher ist die Handkurbel verstellbar. Zum Anpassen entfernen Sie einfach die Sicherungsmutter und die Schlossschraube und bringen Sie beide in der kürzeren Konfiguration wieder an.



### SCHRITT 11

#### Den Rasenmäher hochheben

- Drehen Sie die Handkurbel im Uhrzeigersinn, um den Rasenmäher hochzuheben.
- Siehe Schritt 20 für das Hochheben des Rasenmähers mithilfe einer Bohrmaschine.
- ⚠ Versuchen Sie nicht, ein Gerät mit mehr als 136 kg zu heben.
- ⚠ Der MoJack EZ muss auf einer stabilen ebenen Fläche verwendet werden.
- ⚠ Der Motor muss abgeschaltet und der Schlüssel abgezogen werden.
- ⚠ **Der Rasenmäher muss sich in der Neutral-Position befinden.**
- ⚠ Die Handbremse muss für diesen Schritt gelöst sein.
- ⚠ Die Sicherheitsriemen müssen festgezogen sein.

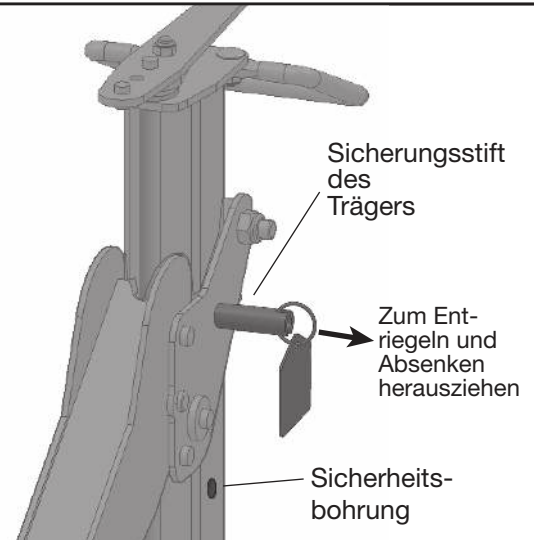


# Gebrauchsanleitung

## SCHRITT 12

### Hubarm in die Verriegelungsposition hochheben

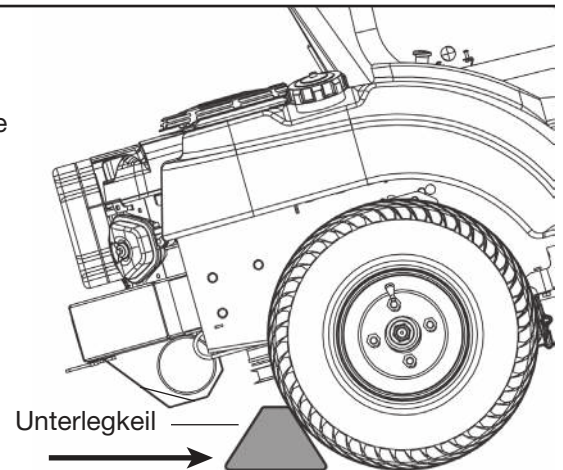
- Heben Sie den Hubarm an, bis der Sicherungsstift des Trägers in das Sicherheitsloch fällt.
- Der Sicherungsstift des Trägers fällt automatisch in die Sicherheitsbohrungen, wenn der Träger beim Hochheben die Sicherheitsbohrungen der Säule passiert.
- **Hinweis: Beim Absenken des Hubarms muss die Bedienperson den Sicherungsstift herausgezogen halten, bis der Hubarm die untere Sicherheitsbohrung passiert hat.**



## SCHRITT 13

### Den Rasenmäher für Wartungsarbeiten vorbereiten

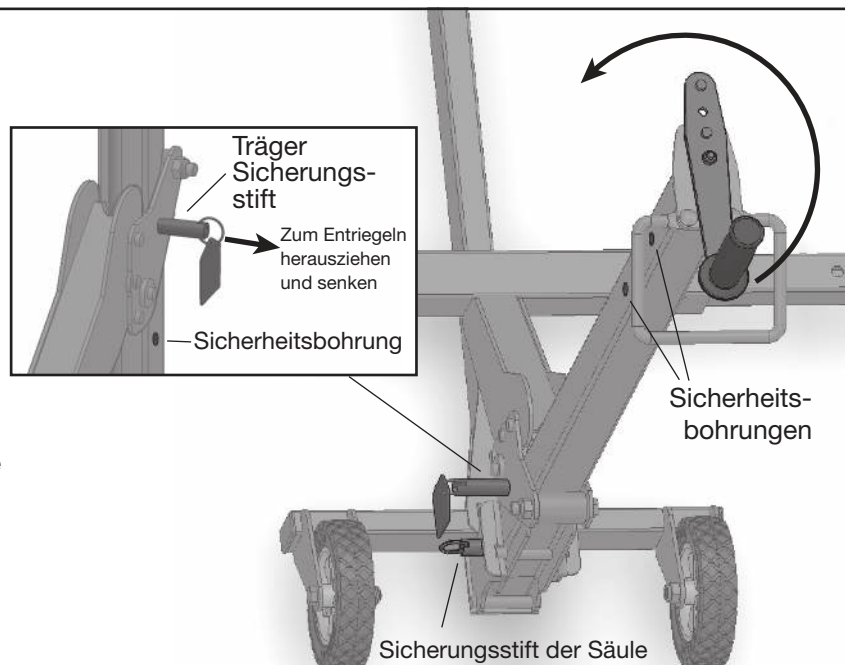
- Schieben Sie die Unterlegkeile (nicht im Lieferumfang enthalten) unter die Hinterräder des Rasenmähers.
- Ziehen Sie nun die Handbremse des Rasenmähers an.
- Den Sicherungsstift des Trägers nun in eines der beiden Sicherheitsbohrungen einsetzen.



## SCHRITT 14

### Den Rasenmäher absenken

- Entfernen Sie die Unterlegkeile.
- Lösen Sie die Handbremse.
- **Der Rasenmäher muss sich in der Neutral-Position befinden.**
- Ziehen Sie den Sicherungsstift des Trägers heraus, halten Sie ihn fest, und drehen Sie die Handkurbel gegen den Uhrzeigersinn, bis die Radstützen fest am Boden stehen.
- **Der Sicherungsstift des Trägers muss so weit herausgezogen werden, dass das untere Sicherheitsloch zu sehen ist.**

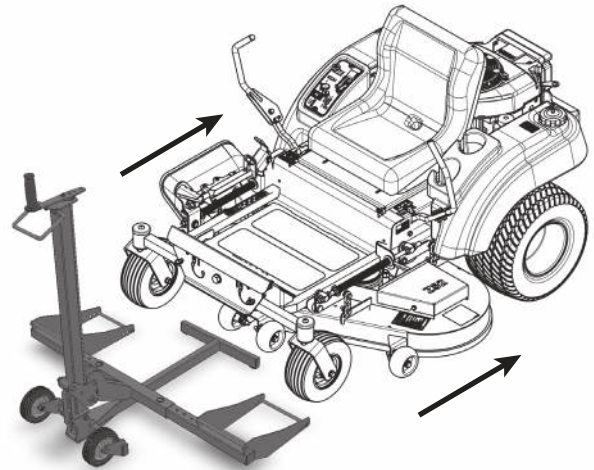


# Gebrauchsanleitung

## SCHRITT 15

### Den Rasenmäher aus dem MoJack EZ schieben

- Nehmen Sie an den Vorderrädern des Rasenmähers die Sicherheitsriemen ab.
- Das Abnehmen der Traghalterungen kann bei diesem Schritt optional erfolgen.
- Fahren oder schieben Sie den Rasenmäher aus den Radstützen.

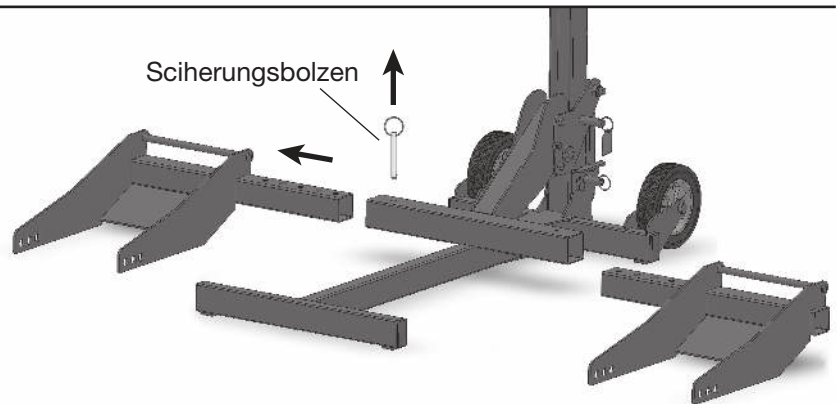


## Den MoJack EZ für die Lagerung vorbereiten (Schritte 16 - 18)

### SCHRITT 16

#### Radstützen entfernen

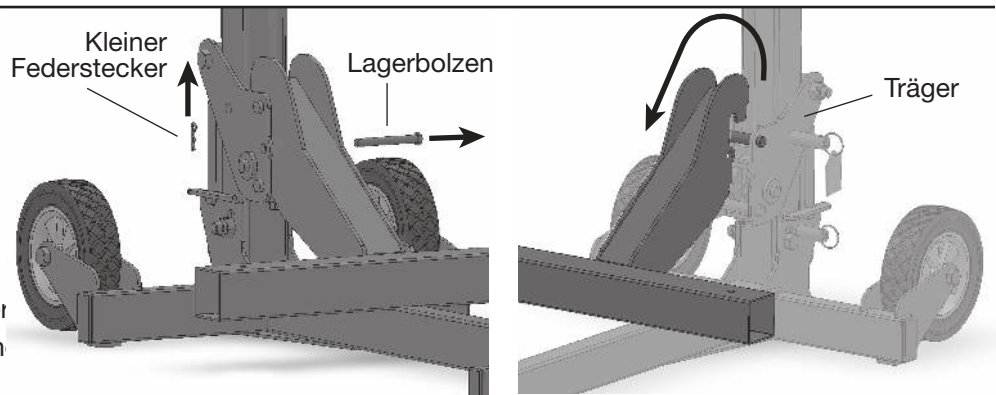
- Entfernen Sie die Sicherungsbolzen und ziehen Sie die Radstützen aus dem Hubarm.
- Setzen Sie die Sicherungsbolzen zur Verwahrung wieder in den Hubarm ein.



### SCHRITT 17

#### Den Hubarm aushängen

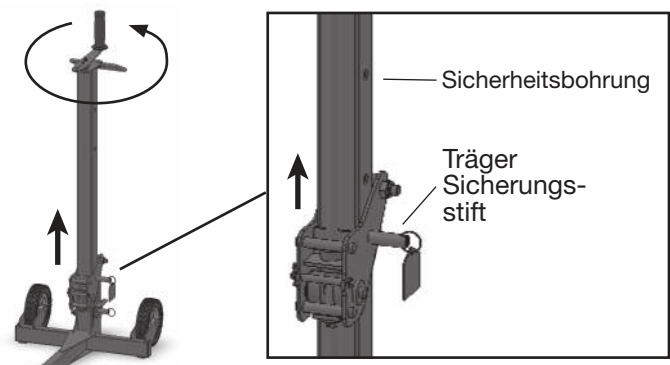
- Entfernen Sie den kleinen Federstecker und den Lagerbolzen vom Hubarm.
- Hängen Sie den Hubarm aus dem Träger aus.
- Setzen Sie den kleinen Federstecker und den Lagerbolzen zur Verwahrung wieder in den Hubarm ein.



### SCHRITT 18

#### Träger hochheben

- Den Träger können Sie hochheben, indem Sie die Handkurbel im Uhrzeigersinn solange drehen, bis der Sicherungsstift des Trägers in die Sicherheitsbohrung fällt.

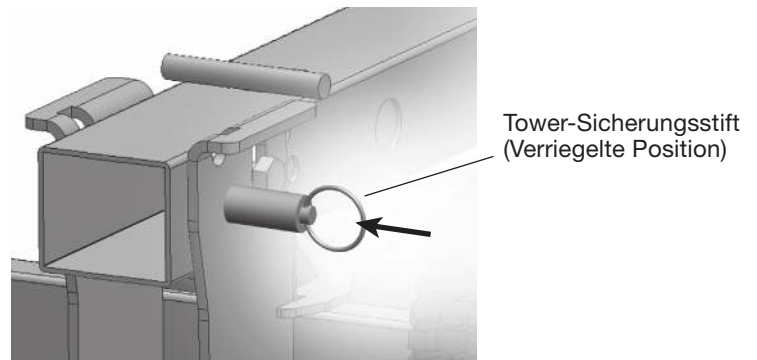
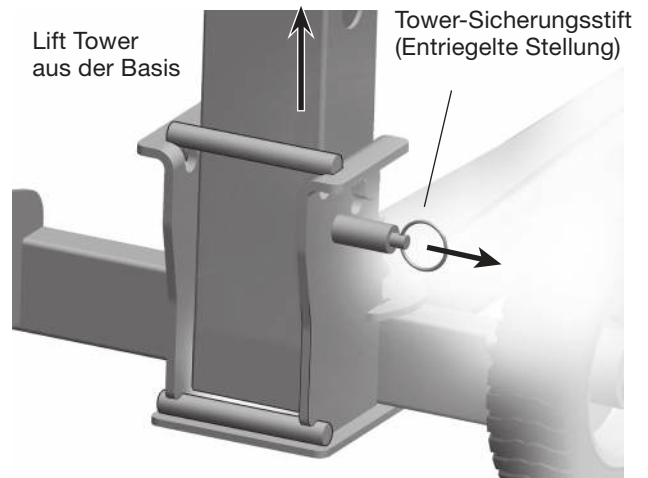
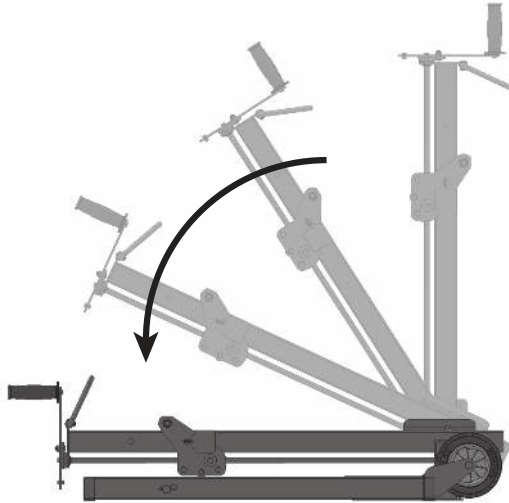


## Gebrauchsanleitung

### SCHRITT 19

#### Den MoJack zusammenklappen

- Ziehen Sie den Sicherungsstift heraus, um ihn zu entriegeln.
- Heben Sie den Turm aus dem Sockel an, indem Sie den Griff anheben und dann den Turm absenken.
- Der Turm wird sicher verriegelt, wenn der Sicherungsstift zurückgezogen wird.



**Der MOJACK EZ IST NUN FÜR DIE LAGERUNG ODER DEN TRANSPORT BEREIT.**

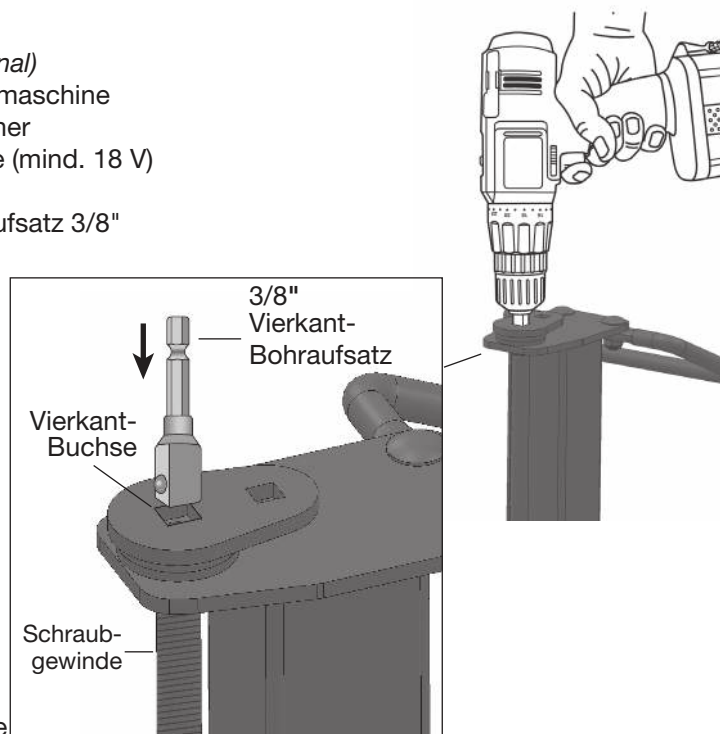
### SCHRITT 20

#### Den MoJack EZ mit einer Bohrmaschine hochheben (optional)

- Der MoJack EZ kann mithilfe einer kabelgebundenen Bohrmaschine mit variabler Geschwindigkeitskontrolle (mind. 7 A) oder einer Akkubohrmaschine mit variabler Geschwindigkeitskontrolle (mind. 18 V) hochgehoben oder abgesenkt werden.
- Für die Bohrmaschine benötigen Sie einen Vierkant-Bohraufsatz 3/8" (nicht im Lieferumfang enthalten).
- Lösen Sie die Mutter und die Schraube und nehmen Sie die Handkurbel ab. Nun sehen Sie die 3/8" Vierkant-Buchse.
- Setzen Sie den 3/8" Bohraufsatz in die Vierkant-Buchse ein. Betätigen Sie die Bohrmaschine im Uhrzeigersinn, um den Hubarm zu heben, und gegen den Uhrzeigersinn, um ihn abzusenken.
- **Der Sicherungsstift des Trägers muss beim Absenken so weit herausgezogen werden, dass die untere Sicherheitsbohrung zu sehen ist.**

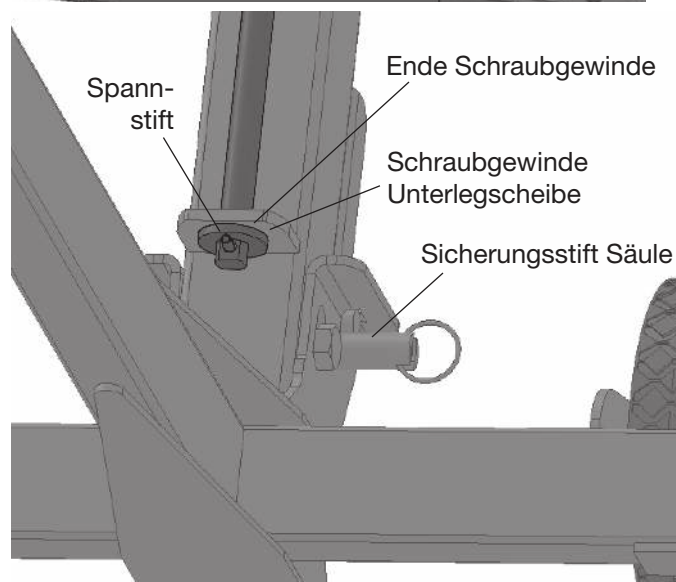
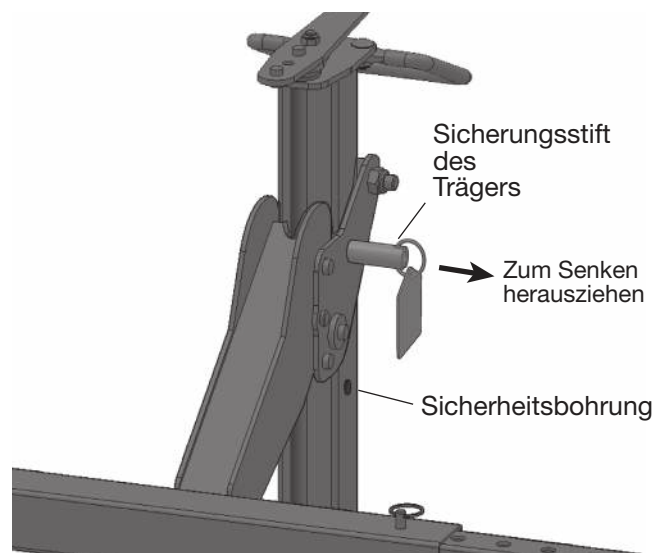
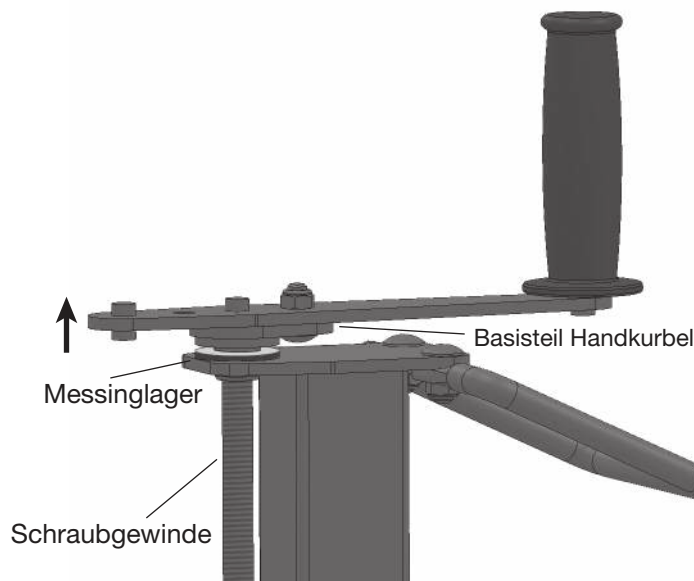
**⚠** Die Bedienperson muss die Bohrmaschine fest im Griff haben, bevor sie den Hubarm erhöht oder senkt.

- Halten Sie sich bei Verwendung einer Bohrmaschine an alle anderen Bedienungshinweise.
- Setzen Sie die Handkurbel wieder ein.

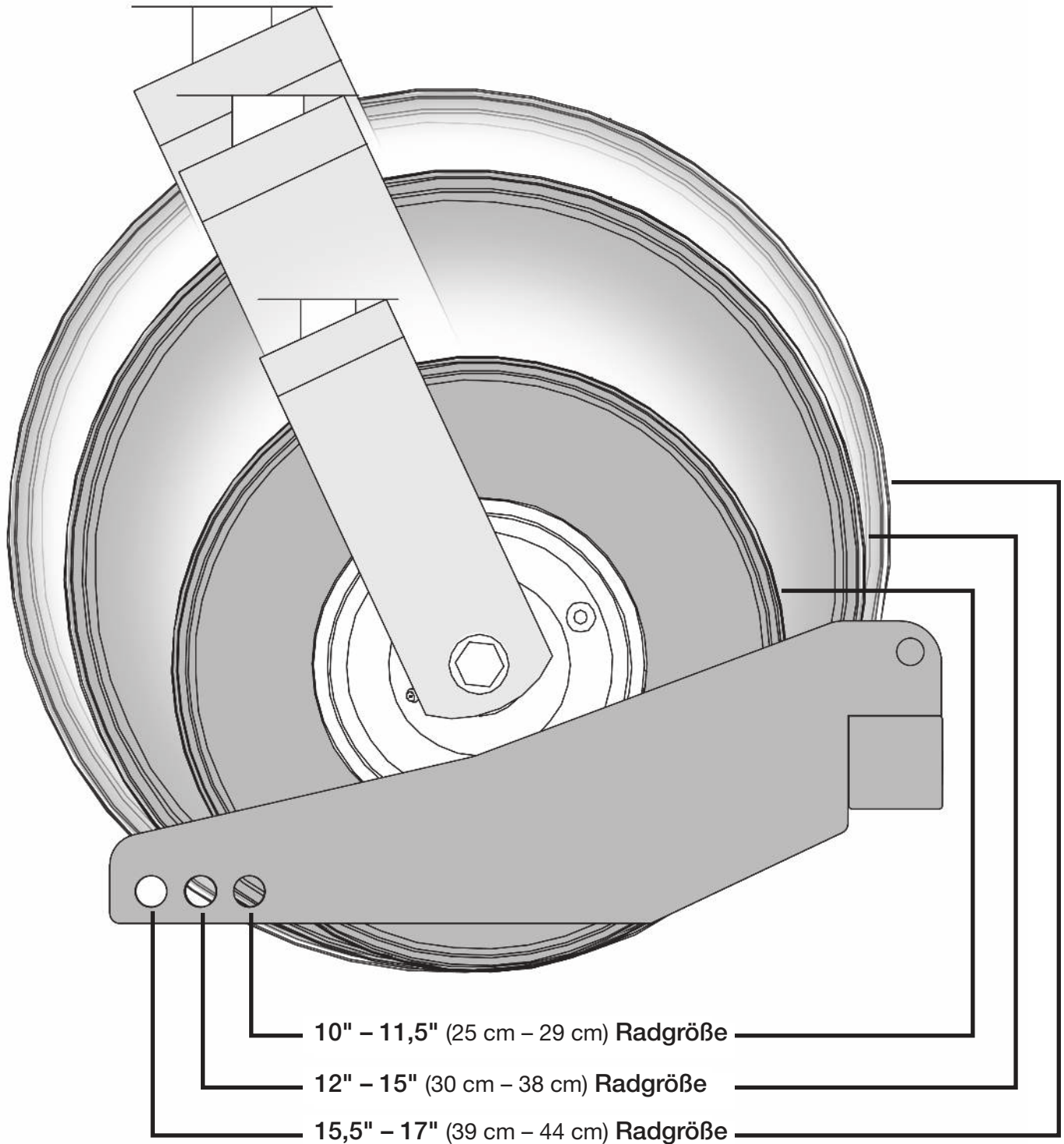


# Wartungsplan

- Vor jedem Gebrauch den MoJack EZ auf abgenutzte, lose oder beschädigte Teile überprüfen. Falls Teile beschädigt sind, den MoJack EZ nicht verwenden, sondern MoJack unter der Nummer 1-877-575-3173 kontaktieren.
- Das Schraubgewinde jeweils nach 50 Einsätzen oder zumindest einmal im Jahr reinigen und mit Maschinenleichtöl ölen.
- Den Bereich zwischen Handkurbelplatte und Messinglager nach jeweils 50 Einsätzen oder einmal im Jahr mit Lithiumfett schmieren. Heben Sie hierfür die Handkurbel hoch, damit zwischen dem Messinglager und der Handkurbel ein kleiner Zwischenraum entsteht. Auf dem Träger darf dabei kein Gewicht lasten. Nun mit einem kleinen Pinsel das Lithiumfett auf die beiden Flächen auftragen.
- Schmieren Sie das untere Ende des Schraubgewindes, den Spannstift und die Unterlegscheibe nach jeweils 50 Einsätzen oder mindestens einmal im Jahr mit Lithiumfett.
- Sprühen Sie nach jeweils 50 Einsätzen oder mindestens einmal im Jahr Schmiermittel in die Löcher und den Schaft des Sicherungsstiftes.
- Kontrollen Sie (optional) die Funktionsweise des Sicherungsstiftes am Träger. Drehen Sie die Handkurbel, um den Hubarm auf die erste Sicherheitsbohrung anzuheben und achten Sie auf ein Klicken, das zu hören ist, wenn der Stift in der Lochbohrung einrastet. Nach Hören des Klicks drehen Sie die Handkurbel in die andere Richtung. Dabei beim Sicherungsstift des Trägers nicht an der Lasche ziehen. Der Stift sollte den Träger in der Höhe halten. Den Griff nicht gewaltsam über den Anschlagpunkt hinaus bewegen, da dadurch das Schraubgewinde beschädigt werden kann. Wenn der Sicherungsstift des Trägers den Hubarm nicht in der Höhe halten kann, den MoJack EZ bitte nicht verwenden und MoJack unter 1-877-575-3173 kontaktieren. Kontrollieren Sie, ob der Sicherungsstift seine Funktion erfüllt, und ziehen Sie dann an der der Lasche des Sicherungsstiftes, um das Gerät zu senken.



## Leitfaden für Anpassung der Traghalterung an Radgröße



⚠ Nicht für Räder mit einem Durchmesser von mehr als 17" (44 cm) geeignet.







Patent #s: U.S., 8,448,920 and 8,387,953

© 2014 MoJack Distributors, LLC.

MoJack and the MoJack logo are registered trademarks of MoJack Distributors, LLC.

MoJack EZ is a trademark of MoJack Distributors, LLC. All rights reserved.



**MoJack**<sup>®</sup>

Make it Happen. Make it MoJack.<sup>™</sup>

[www.theMoJack.com](http://www.theMoJack.com)

1-877-575-3173